

**RETROFIT DOWNLIGHTS**  
WITH E26 SOCKET ADAPTER | 2700K

**KEY FEATURES**

- Included E26 base makes retrofit installation easy and efficient
- Triac dimming down to 10%—quiet and flickering free
- Wet location rated
- Clean, tight-fitting integrated LED trim freshens up old fixtures
- IC Rated for maximum thermal management

**SPECIFICATIONS**

**Construction**

- Durable die-cast aluminum housing design for maximum thermal management and performance
- Suitable for IC or Non-IC applications
- Matte white finish, baffle trim

**Optics**

- Polycarbonate diffused lens
- Smooth, uniform light distribution

**Installation**

- Two friction clips included, and spring clips included for the 5/6"
- Easy to install—simply twist E26 base into existing socket

**Electrical**

- 50,000 hour LEDs at L70 for reduced maintenance
- Operates at 120V, 60Hz
- Triac dimming, down to 10%\*
- Operation temperature: -4°F (-20°C) to 113°F (45°C)

\* Always consult dimmer manufacturer for proper use, installation and compatibility (some dimmers may require a neutral in the wall box).

**Warranty**

5-Year Standard Warranty. See terms at: [ETISSL.com/warranty/](https://ETISSL.com/warranty/)

DATE:	PROJECT:
TYPE:	NOTES:
CATALOG #:	



KEY DATA	
Lumen Range	739.7 – 763.5
Wattage Range	9.16 – 9.67
Efficacy Range (LPW)	72 – 81
Reported Life (Hours)	L70 / 50,000
Input Current (mA)	4" 77   5/6" 88

**Certifications & Test Data**

- Built to UL standards and have the appropriate UL labels and information on product
- Wet location
- Adheres to LM63, LM79, LM80 and TM21 industry standards for photometric, lumen maintenance and lifetime calculations
- ENERGY STAR® rated (See Page 2 for search info.)
- California Appliance Efficiency Regulations—Title 20.
- Driver rated for FCC part 15 Class B for use in residential or commercial applications
- IC Rated for direct contact with insulation



## CATALOG LOGIC

<b>DL</b>			<b>827</b>	<b>SV</b>	<b>D</b>	
Series	Size	Lumens	CRI	CCT	Voltage	Dimming
<b>DL</b> Downlight (Retrofit)	<b>4</b> (4" Dia) <b>6</b> (5/6" Dia)	<b>625</b> (625 lm) <b>67</b> (670 lm)	<b>8</b> 80CRI (min.)	<b>27</b> (2700K)	<b>SV</b> Single-Volt 120V	<b>D</b> TRIAC Dimming

**Notes:**

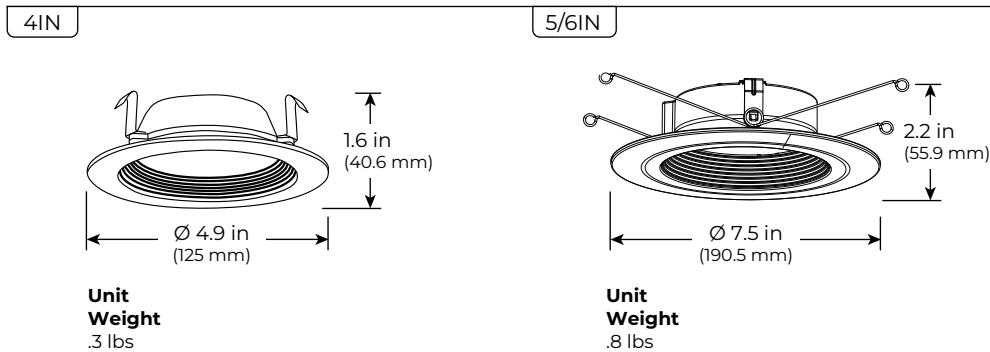
1. Factory set at the lowest CCT. Installing contractor responsible for ensuring desired CCT is selected during installation.

## STOCK ORDERING INFORMATION (typical 2-3 day shipment lead time)<sup>1</sup>

Catalog Part Number	Order Number	Size (Dia)	Case QTY	Lumen Package	Delivered Lumens <sup>2</sup>	Wattage (Nominal)	Efficacy	CCT	CRI	Voltage	Dim	ENERGY STAR® / UL
DL-4-625-827-SV-D	53182201	4"	4	625	739.7	8	81	2700K	80 (min)	120V	TRIAC	ESTAR Search: 531822## UL Search: 531822XX
DL-6-67-827-SV-D	53193101	5/6"	4	670	763.5	9	72	2700K	80 (min)	120V	TRIAC	ESTAR Search: 531931## UL Search: 531931XX

Notes: 1. Stock SKUs typically ship in 24-48 hours upon receipt of an approved released order  
2. For more information and test data see pages 3, or visit ETiSSL.com

## DIMENSIONS / DETAILS



## PERFORMANCE / Data

### Lumen Maintenance

Ambient Temp.	TM-21 Lumen Maintenance (54,000 hours)
25° C (77° F)	4" 67%   5/6" 88%
Ambient Temp.	TM-21 Theoretical L70 (hours)
25° C (77° F)	50,000

### Load Information

<b>Power Factor</b>	>.90
<b>THD</b>	< 20%
<b>Frequency</b>	60 Hz
<b>Sound Rating</b>	< 20 dBA
<b>Low Temp Start / Max Temp</b>	-20° C (-4° F) / 45° C (113° F)

PHOTOMETRIC SAMPLES

**Luminaire Data: 4"**

CCT & CRI	<b>2700K, 80+ CRI</b>
Delivered Lumens	<b>739.7</b>
Wattage	<b>9.2W</b>
Efficacy	<b>81</b>
Beam Angle	<b>50%=105°</b> <b>10%= 150°</b>
Spacing	<b>0° = 1.22 90° = 1.24</b>

Photometric values based on tests performed in compliance with LM-63 & LM-79

**Zonal Lumen Summary**

Zone	Lumens	% Luminaire
0-30	220.92	29.9%
0-40	357.89	48.4%
0-60	615.39	83.2%
0-90	733.94	99.2%

**Candela Plot**

**Candela Distribution**

Angle	0°	90°
0	289	289
5	287	292
10	281	288
15	275	280
20	264	269
25	250	256
30	235	240
35	218	223
40	199	204
45	180	183
50	157	159
55	132	136
60	108	110
65	81	83
70	55	55
75	30	30
80	10	11
85	3.6	3.8
90	0.7	0.9

**% Effective Ceiling Cavity Reflectance**

Ceiling	80%		70%		50%		30%		10%		0%							
	70	50	30	10	70	50	30	10	50	30	10	50	30	10	0			
Wall	0																	
RCR	Zonal cavity method—Effective floor reflectance = 20%																	
0	119	119	119	119	116	116	116	116	111	111	111	106	106	106	101	101	101	99
1	110	105	101	98	107	103	99	96	99	96	93	95	92	90	91	89	87	85
2	100	93	86	81	98	91	85	80	87	82	78	84	80	76	81	77	74	72
3	92	82	74	68	89	80	73	67	77	71	66	74	69	65	72	67	63	61
4	84	73	64	58	82	71	63	57	69	62	57	66	60	56	64	59	55	53
5	77	65	56	50	75	64	56	50	62	55	49	60	53	49	58	52	48	46
6	72	59	50	44	70	58	50	44	56	49	43	54	48	43	53	47	42	40
7	66	53	45	39	65	52	44	39	51	44	38	49	43	38	48	42	38	36
8	62	49	40	35	60	48	40	35	47	39	34	45	39	34	44	38	34	32
9	58	45	37	31	56	44	36	31	43	36	31	42	35	31	41	35	31	29
10	54	41	34	28	53	41	33	28	40	33	28	39	32	28	38	32	28	26

**Luminaire Data: 5/6"**

CCT & CRI	<b>2700K, 80+ CRI</b>
Delivered Lumens	<b>763.5</b>
Wattage	<b>9.7W</b>
Efficacy	<b>72</b>
Beam Angle	<b>50%=101°</b> <b>10%= 146°</b>
Spacing	<b>0° = 1.24 90° = 1.22</b>

Photometric values based on tests performed in compliance with LM-63 & LM-79

**Zonal Lumen Summary**

Zone	Lumens	% Luminaire
0-30	238.51	31.2%
0-40	385.55	50.5%
0-60	645.42	84.5%
0-90	748.67	98.1%

**Candela Plot**

**Candela Distribution**

Angle	0°	90°
0	311	311
5	309	309
10	305	305
15	297	297
20	287	285
25	273	271
30	256	254
35	236	234
40	213	210
45	187	184
50	159	156
55	131	127
60	102	97
65	72	67
70	44	40
75	23	20
80	13	11
85	7.1	5.1
90	2.4	1.1

**% Effective Ceiling Cavity Reflectance**

Ceiling	80%		70%		50%		30%		10%		0%							
	70	50	30	10	70	50	30	10	50	30	10	50	30	10	0			
Wall	0																	
RCR	Zonal cavity method—Effective floor reflectance = 20%																	
0	119	119	119	119	116	116	116	116	110	110	110	105	105	105	100	100	100	98
1	110	105	102	98	107	103	100	96	98	96	93	94	92	90	90	89	87	85
2	101	93	87	82	98	91	85	81	87	83	79	84	80	76	81	77	75	72
3	92	83	75	69	90	81	74	68	78	72	67	75	70	66	72	68	64	62
4	85	74	66	59	83	72	65	59	70	63	58	67	61	57	65	60	56	54
5	78	66	58	52	76	65	57	51	63	56	50	61	54	50	59	53	49	47
6	72	60	51	45	70	59	51	45	57	50	44	55	49	44	53	48	43	41
7	67	54	46	40	66	54	46	40	52	45	40	50	44	39	49	43	39	37
8	63	50	42	36	61	49	41	36	48	41	36	46	40	35	45	39	35	33
9	59	46	38	32	57	45	38	32	44	37	32	43	36	32	42	36	32	30
10	55	42	35	30	54	42	34	29	41	34	29	40	33	29	39	33	29	27