

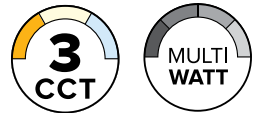
**Key Features & Benefits:**

- Wattage Selectable
- Kelvin Selectable
- Comes Standard with Multiple Mounting Options in the Box
- Integrated Photocell That Can be Turned On or Off as Needed
- Optional Factory Fixed Wattage
- Bronze or White Finishes
- Durable Die-Cast Housing

**Product Specifications:**

Selectable Wattage: 15W, 25W, 35W  
 Lumen Output at 5000K:  
 15W—1,950 Lumens  
 25W—2,025 Lumens  
 35W—2,070 Lumens  
 Efficacy: Up to 138 lm/W  
 Selectable Kelvin: 3000K, 4000K, 5000K  
 CRI: >80  
 Power Frequency: 50/60Hz  
 Input Voltage: 120–277 VAC  
 Warranty: 5 Year Warranty  
 Product Weight:  
 1535W — 4.54 lbs  
 5090W — 6.88 lbs  
 105150W — 14.26 lbs

Project: \_\_\_\_\_ Date: \_\_\_\_\_  
 Catalog #: \_\_\_\_\_  
 Notes: \_\_\_\_\_



Easy Access to Photocell with On/Off Switch and Patent Pending Easy Replacement

Available in Bronze or White Finishes



**BOTH Knuckle and Yoke Mount Included!**  
 Comes Standard with Knuckle Installed



**Ordering Guide:**

ESL	TYPE	SELECTABLE WATTAGE	GENERATION	SELECTABLE KELVIN	FINISH
ESL	FLD	(yy)	1	3050	(ff)
	(FLD) Flood Light	(1535W) 15W, 25W, 35W (5090W) 50W, 70W, 90W (105150W) 105W, 120W, 150W	(1) 1st Generation	(3050) 3000K, 4000K, 5000K	(BZ) Bronze (WH) White

FIELD INSTALLED ACCESSORIES	
ESL-FL1-S-WG	Wire Guard for 1535W Flood Light
ESL-FL1-M-WG	Wire Guard for 5090W Flood Light
ESL-FL1-L-WG	Wire Guard for 90150W Flood Light
ESL-FL1-S-VSH	Vandal Shield for 1535W Flood Light
ESL-FL1-M-VSH	Vandal Shield for 5090W Flood Light
ESL-FL1-L-VSH	Vandal Shield for 105150W Flood Light
ESL-FL1-PC	Photocell for FLD Flood Light

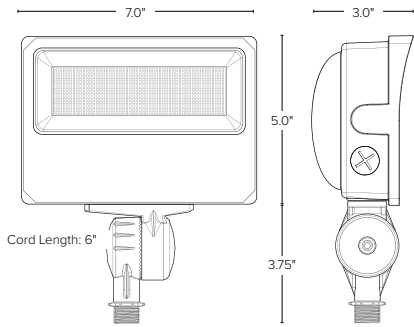
**Catalog Data:**

ITEM#	SELECTABLE WATTAGE	SELECTABLE KELVIN	LUMENS	EFFICACY (lm/W)	FINISH (ff)	MOUNTING	DIMENSIONS	DLC QPL CODE	
ESL-FLD-1535W-13050-ff	15W	3000K	1,950	130	(BZ) Bronze (WH) White	Universal 1/2" Knuckle & Yoke	7.0" x 3.0" x 5.0"	PENDING	
		4000K	2,025	135					
		5000K	2,070	138					
	25W	3000K	1,950	130					
		4000K	3,375	135					
		5000K	3,450	138					
	35W	3000K	4,550	130					
		4000K	4,725	135					
		5000K	4,830	138					
	ESL-FLD-5090W-13050-ff	50W	3000K	6,500					130
			4000K	6,750					135
			5000K	6,900					138
70W		3000K	9,100	130					
		4000K	9,450	135					
		5000K	9,660	138					
90W	3000K	11,700	130						
	4000K	12,150	135						
	5000K	12,420	138						
ESL-FLD-105150W-13050-ff	105W	3000K	13,545	129	(BZ) Bronze (WH) White	Slip Fitter & Yoke	14.0" x 3.25" x 9.0"	PENDING	
		4000K	13,860	132					
		5000K	14,280	136					
	120W	3000K	15,480	129					
		4000K	15,840	132					
		5000K	16,320	136					
	150W	3000K	19,350	129					
		4000K	19,800	132					
		5000K	20,400	136					

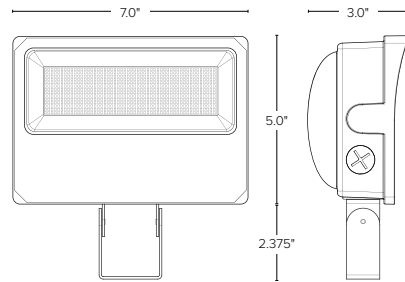
**Dimensions:**

**1535W**

**Knuckle Mount**

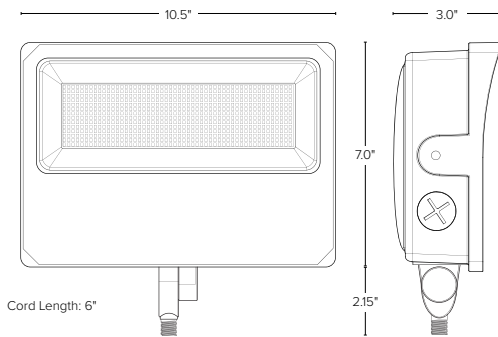


**Yoke Mount**

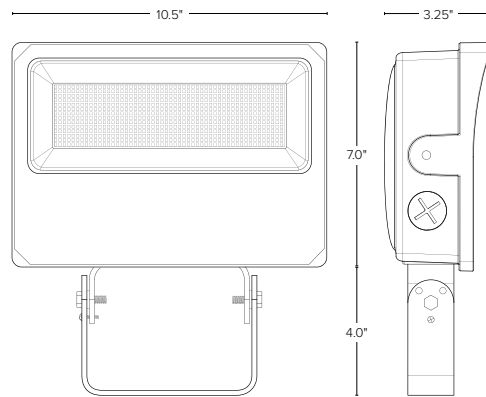


**5090W**

**Knuckle Mount**

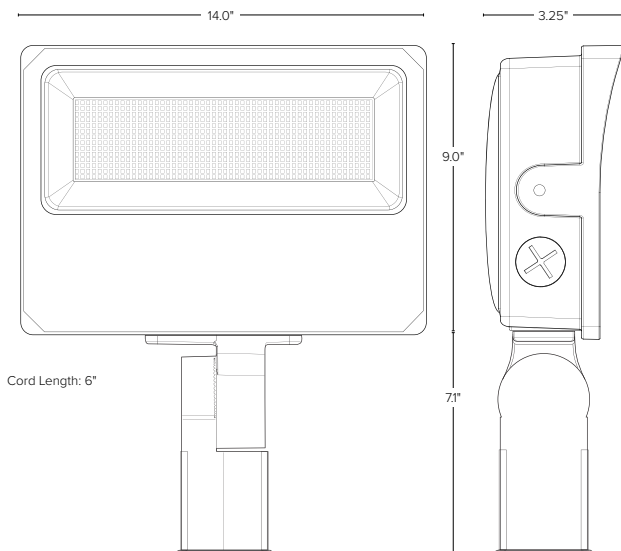


**Yoke Mount**



**105150W**

**Slip Fitter**



**Yoke Mount**

