

### Performance Overview:

- Wattage: 90
- Lumen Output: Up to 12,887 Lumens
- Efficacy (lm/W): Up to 144 Lumens per Watt
- Kelvin: 3000K, 4000K, 5000K
- Protection: Standard 10kV Surge Protection
- CRI: >80



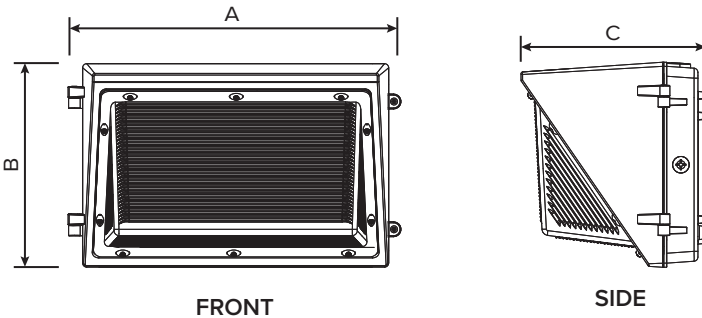
Project: \_\_\_\_\_ Date: \_\_\_\_\_

Catalog #: \_\_\_\_\_

Notes: \_\_\_\_\_

### Key Features & Benefits:

- Two-piece Aluminum Housing with Easy Driver Access and Quick Connect for Simple Installation
- 10 Year Limited Warranty
- 1-10V Dimmable
- Emergency Backup Capable
- Bronze or White Finishes



SYSTEM WATTS	DIMENSIONS			WEIGHT Pounds (lbs)
	A	B	C	
30	14.17"	9.25"	7.44"	7.06
45	14.17"	9.25"	7.44"	7.06
60	14.17"	9.25"	7.44"	7.06
90	14.17"	9.25"	7.44"	7.06
120	18.31"	9.29"	9.06"	13.0

### Ordering Guide:

<b>ESL</b>	<b>WP</b>	<b>90W</b>	<b>4</b>			
ESL	TYPE	WATTS	GENERATION	KELVIN	VOLTAGE	FINISH*
	WP (Wall Pack)	90W	4 (4th Generation)	30 (3000 Kelvin) 40 (4000 Kelvin) 50 (5000 Kelvin)	Blank (120-277 VAC)	Blank (Bronze) WH (White)

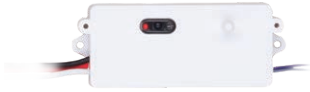
\*Contact Factory for custom finish options

### Options & Accessories (Order Separately)

Emergency BBU: ESL-EMG-BBU (Emergency BBU, 1100 Lumens, 90 min Backup, 120-277 VAC, Factory Installed)	Top Visor: ESL-WP-4-S-TV (Top Visor for 30 to 90 Watt Wall Packs)
Sensors: ESL-WP-PC (Wall Pack Photocell)	ESL-WP-4-L-TV (Top Visor for 120 Watt Wall Pack)
ESL-4OCC-LDD (Occupancy Sensor, 0-10V Dimming, 8' - 20' Mounting)	
ESL-REM-100 (Hand Held Remote to Control ESL-4OCC-LDD)	

†Not All Part Numbers DLC Qualified. For a Complete Listing Please Consult the DLC Qualified Products List (QPL).

### Options & Accessories:



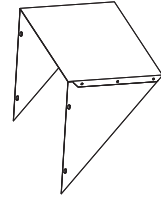
**Occupancy**  
(ESL-4OCC-LDD)



**Photocell**  
(ESL-WP-PC)



**ESL-EMG-2DC-9W**



**Top Visor**  
(ESL-WP-4-S-TV)  
(ESL-WP-4-L-TV)

### Catalog Data:

ESL	TYPE	WATTAGE	GENERATION	KELVIN									INPUT* VOLTAGE
				3000K (30)			4000K (40)			5000K (50)			
				LUMENS	LPW	DLC QPL	LUMENS	LPW	DLC QPL	LUMENS	LPW	DLC QPL	
	ESL-WP-30W-4			4,108	136	PHA0B8FS	4,405	146	PK5UKKDU	4,319	145	PAD0CC3U	(BLANK)

ESL	TYPE	WATTAGE	GENERATION	KELVIN									INPUT* VOLTAGE
				3000K (30)			4000K (40)			5000K (50)			
				LUMENS	LPW	DLC QPL	LUMENS	LPW	DLC QPL	LUMENS	LPW	DLC QPL	
	ESL-WP-45W-4			5,796	136	PXZZQ1E1	5,777	136	PCAQEZ0H	6,197	142	PYNRLU8W	(BLANK)

ESL	TYPE	WATTAGE	GENERATION	KELVIN									INPUT* VOLTAGE
				3000K (30)			4000K (40)			5000K (50)			
				LUMENS	LPW	DLC QPL	LUMENS	LPW	DLC QPL	LUMENS	LPW	DLC QPL	
	ESL-WP-60W-4			8,383	137	P4YX3J24	8,606	141	PRTNDR1Q	8,653	142	PGE2VL0G	(BLANK)
			8,383	137	P4YX3J24	8,606	141	PRTNDR1Q	8,653	142	PGE2VL0G	(HV)	

ESL	TYPE	WATTAGE	GENERATION	KELVIN									INPUT* VOLTAGE
				3000K (30)			4000K (40)			5000K (50)			
				LUMENS	LPW	DLC QPL	LUMENS	LPW	DLC QPL	LUMENS	LPW	DLC QPL	
	ESL-WP-90W-4			11,961	136	PIGKKMS2	12,887	144	PWY52G0G	12,266	140	P804Q4YI	(BLANK)
			11,961	136	PIGKKMS2	12,887	144	PWY52G0G	12,266	140	P804Q4YI	(HV)	

ESL	TYPE	WATTAGE	GENERATION	KELVIN									INPUT* VOLTAGE
				3000K (30)			4000K (40)			5000K (50)			
				LUMENS	LPW	DLC QPL	LUMENS	LPW	DLC QPL	LUMENS	LPW	DLC QPL	
	ESL-WP-120W-4			15,697	133	PTTC00SC	16,739	142	PQXCQE10	16,454	140	PNN46PM3	(BLANK)
			15,697	133	PTTC00SC	16,739	142	PQXCQE10	16,454	140	PNN46PM3	(HV)	

\* Input Voltage: (Blank) = 120-277 VAC, (HV) = 277-480 VAC



### Construction:

- Die Cast Aluminum Housing
- High Performance Heat Sink
- Weathertight LED Driver Housing
- Continuous Gasket Seal
- (4) 1/2" Threaded Conduit Holes (30-90W)
- (3) 1/2" Threaded Conduit Holes (120W)

### Optical:

- Optical Grade Polycarbonate Lens:
  - UV stabilized
  - Molded prismatic lens for optimal uniformity
  - Impact resistant

### Electrical:

- Input Voltage Options: 120-277 VAC, 277-480 VAC
- Life: >50,000 hours
- Dimming: 1-10V Dimmable
- 10kV Surge Protection

### Lumen Ambient Temperature (LAT) Multipliers: Driver Summary:

AMBIENT		LUMEN MULTIPLIER
0 °C	32 °F	1.02
10 °C	50 °F	1.01
20 °C	68 °F	1
25 °C	77 °F	1
30 °C	86 °F	1
40 °C	104 °F	0.99
50 °C	122 °F	0.96

SYSTEM WATTS	OUTPUT CURRENT	OUTPUT POWER
30	500 mA	50 VDC
45	1000 mA	50 VDC
60	1100 mA	50 VDC
90	2200 mA	44 VDC
120	1100 mA (x2)	50 VDC

### Electrical Load - Standard Voltage:

SYSTEM WATTS	INPUT CURRENT				INPUT VOLTAGE	INPUT FREQUENCY	POWER FACTOR	THD	OPERATING TEMPERATURE	SURGE PROTECTION	DIMMING
	120 VAC	208 VAC	240 VAC	277 VAC							
30	0.25	0.14	0.13	0.11	120-277 VAC	50/60 Hz	>0.98 @120 VAC >0.90 @277 VAC	<20%	-40°F to 131°F (-40°C to 55°C)	Independent 10kV SPD	1-10V
45	0.38	0.22	0.19	0.16							
60	0.50	0.29	0.25	0.22							
90	0.75	0.43	0.38	0.32							
120	1.00	0.58	0.50	0.43							

### Electrical Load - High Voltage:

SYSTEM WATTS	INPUT CURRENT			INPUT VOLTAGE	INPUT FREQUENCY	POWER FACTOR	THD	OPERATING TEMPERATURE	SURGE PROTECTION	DIMMING
	277 VAC	347 VAC	480 VAC							
60	0.22	0.17	0.13	277-480 VAC	50/60 Hz	>0.90 @277 VAC >0.96 @480 VAC	<15% @277 VAC, <20% @480 VAC	-40°F to 158°F (-40°C to 70°C)	Independent 10kV SPD	1-10V
90	0.32	0.26	0.19							
120	0.43	0.35	0.25							