

### Performance Overview:

- Wattage: 45
- Lumen Output: Up to 6,197 Lumens
- Efficacy (lm/W): Up to 142 Lumens per Watt
- Kelvin: 3000K, 4000K, 5000K
- Protection: Standard 10kV Surge Protection
- CRI: >80



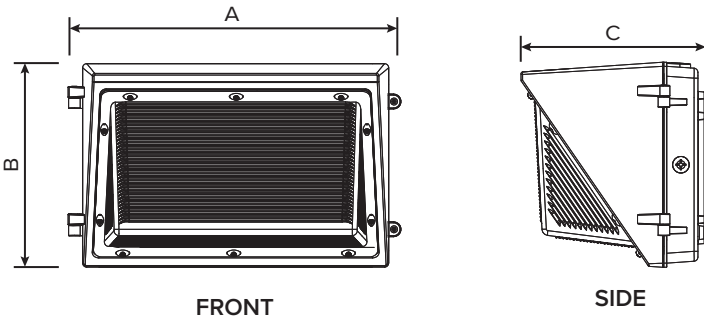
Project: \_\_\_\_\_ Date: \_\_\_\_\_

Catalog #: \_\_\_\_\_

Notes: \_\_\_\_\_

### Key Features & Benefits:

- Two-piece Aluminum Housing with Easy Driver Access and Quick Connect for Simple Installation
- 10 Year Limited Warranty
- 1-10V Dimmable
- Emergency Backup Capable
- Bronze or White Finishes



| SYSTEM WATTS | DIMENSIONS |       |       | WEIGHT<br>Pounds (lbs) |
|--------------|------------|-------|-------|------------------------|
|              | A          | B     | C     |                        |
| 30           | 14.17"     | 9.25" | 7.44" | 7.06                   |
| 45           | 14.17"     | 9.25" | 7.44" | 7.06                   |
| 60           | 14.17"     | 9.25" | 7.44" | 7.06                   |
| 90           | 14.17"     | 9.25" | 7.44" | 7.06                   |
| 120          | 18.31"     | 9.29" | 9.06" | 13.0                   |

### Ordering Guide:

|            |                |            |                    |  |                     |                              |
|------------|----------------|------------|--------------------|--|---------------------|------------------------------|
| <b>ESL</b> | <b>WP</b>      | <b>45W</b> | <b>4</b>           |  |                     |                              |
| ESL        | TYPE           | WATTS      | GENERATION         | KELVIN   | VOLTAGE             | FINISH*                      |
|            | WP (Wall Pack) | 45W        | 4 (4th Generation) | 30 (3000 Kelvin)<br>40 (4000 Kelvin)<br>50 (5000 Kelvin) | Blank (120-277 VAC) | Blank (Bronze)<br>WH (White) |

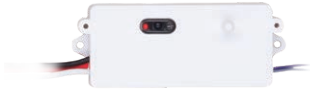
\*Contact Factory for custom finish options

### Options & Accessories (Order Separately)

|   |  |
|---|--|
| Emergency BBU:  | Top Visor:   |
| ESL-EMG-BBU (Emergency BBU, 1100 Lumens, 90 min Backup, 120-277 VAC, Factory Installed) | ESL-WP-4-S-TV (Top Visor for 30 to 90 Watt Wall Packs) |
| Sensors:  | ESL-WP-4-L-TV (Top Visor for 120 Watt Wall Pack)       |
| ESL-WP-PC (Wall Pack Photocell)   |  |
| ESL-4OCC-LDD (Occupancy Sensor, 0-10V Dimming, 8' - 20' Mounting)                       |  |
| ESL-REM-100 (Hand Held Remote to Control ESL-4OCC-LDD)                                  |  |

†Not All Part Numbers DLC Qualified. For a Complete Listing Please Consult the DLC Qualified Products List (QPL).

### Options & Accessories:



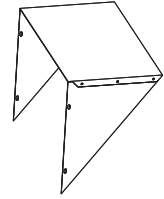
**Occupancy**  
(ESL-4OCC-LDD)



**Photocell**  
(ESL-WP-PC)



**ESL-EMG-2DC-9W**



**Top Visor**  
(ESL-WP-4-S-TV)  
(ESL-WP-4-L-TV)

### Catalog Data:

| ESL | TYPE         | WATTAGE | GENERATION | KELVIN     |     |          |            |     |          |            |     |          | INPUT*<br>VOLTAGE |
|-----|--------------|---------|------------|------------|-----|----------|------------|-----|----------|------------|-----|----------|-------------------|
|     |              |         |            | 3000K (30) |     |          | 4000K (40) |     |          | 5000K (50) |     |          |                   |
|     |              |         |            | LUMENS     | LPW | DLC QPL  | LUMENS     | LPW | DLC QPL  | LUMENS     | LPW | DLC QPL  |                   |
|     | ESL-WP-30W-4 |         |            | 4,108      | 136 | PHA0B8FS | 4,405      | 146 | PK5UKKDU | 4,319      | 145 | PAD0CC3U | (BLANK)           |

| ESL | TYPE         | WATTAGE | GENERATION | KELVIN     |     |          |            |     |          |            |     |          | INPUT*<br>VOLTAGE |
|-----|--------------|---------|------------|------------|-----|----------|------------|-----|----------|------------|-----|----------|-------------------|
|     |              |         |            | 3000K (30) |     |          | 4000K (40) |     |          | 5000K (50) |     |          |                   |
|     |              |         |            | LUMENS     | LPW | DLC QPL  | LUMENS     | LPW | DLC QPL  | LUMENS     | LPW | DLC QPL  |                   |
|     | ESL-WP-45W-4 |         |            | 5,796      | 136 | PXZZQ1E1 | 5,777      | 136 | PCAQEZ0H | 6,197      | 142 | PYNRLU8W | (BLANK)           |

| ESL | TYPE         | WATTAGE | GENERATION | KELVIN     |          |          |            |          |          |            |          |          | INPUT*<br>VOLTAGE |
|-----|--------------|---------|------------|------------|----------|----------|------------|----------|----------|------------|----------|----------|-------------------|
|     |              |         |            | 3000K (30) |          |          | 4000K (40) |          |          | 5000K (50) |          |          |                   |
|     |              |         |            | LUMENS     | LPW      | DLC QPL  | LUMENS     | LPW      | DLC QPL  | LUMENS     | LPW      | DLC QPL  |                   |
|     | ESL-WP-60W-4 |         |            | 8,383      | 137      | P4YX3J24 | 8,606      | 141      | PRTNDR1Q | 8,653      | 142      | PGE2VL0G | (BLANK)           |
|     |              |         | 8,383      | 137        | P4YX3J24 | 8,606    | 141        | PRTNDR1Q | 8,653    | 142        | PGE2VL0G | (HV)     |                   |

| ESL | TYPE         | WATTAGE | GENERATION | KELVIN     |          |          |            |          |          |            |          |          | INPUT*<br>VOLTAGE |
|-----|--------------|---------|------------|------------|----------|----------|------------|----------|----------|------------|----------|----------|-------------------|
|     |              |         |            | 3000K (30) |          |          | 4000K (40) |          |          | 5000K (50) |          |          |                   |
|     |              |         |            | LUMENS     | LPW      | DLC QPL  | LUMENS     | LPW      | DLC QPL  | LUMENS     | LPW      | DLC QPL  |                   |
|     | ESL-WP-90W-4 |         |            | 11,961     | 136      | PIGKKMS2 | 12,887     | 144      | PWY52G0G | 12,266     | 140      | P804Q4YI | (BLANK)           |
|     |              |         | 11,961     | 136        | PIGKKMS2 | 12,887   | 144        | PWY52G0G | 12,266   | 140        | P804Q4YI | (HV)     |                   |

| ESL | TYPE          | WATTAGE | GENERATION | KELVIN     |          |          |            |          |          |            |          |          | INPUT*<br>VOLTAGE |
|-----|---------------|---------|------------|------------|----------|----------|------------|----------|----------|------------|----------|----------|-------------------|
|     |               |         |            | 3000K (30) |          |          | 4000K (40) |          |          | 5000K (50) |          |          |                   |
|     |               |         |            | LUMENS     | LPW      | DLC QPL  | LUMENS     | LPW      | DLC QPL  | LUMENS     | LPW      | DLC QPL  |                   |
|     | ESL-WP-120W-4 |         |            | 15,697     | 133      | PTTC00SC | 16,739     | 142      | PQXCQE10 | 16,454     | 140      | PNN46PM3 | (BLANK)           |
|     |               |         | 15,697     | 133        | PTTC00SC | 16,739   | 142        | PQXCQE10 | 16,454   | 140        | PNN46PM3 | (HV)     |                   |

\* Input Voltage: (Blank) = 120-277 VAC, (HV) = 277-480 VAC

### Construction:

- Die Cast Aluminum Housing
- High Performance Heat Sink
- Weathertight LED Driver Housing
- Continuous Gasket Seal
- (4) 1/2" Threaded Conduit Holes (30-90W)
- (3) 1/2" Threaded Conduit Holes (120W)

### Optical:

- Optical Grade Polycarbonate Lens:
  - UV stabilized
  - Molded prismatic lens for optimal uniformity
  - Impact resistant

### Electrical:

- Input Voltage Options: 120-277 VAC, 277-480 VAC
- Life: >50,000 hours
- Dimming: 1-10V Dimmable
- 10kV Surge Protection

### Lumen Ambient Temperature (LAT) Multipliers: Driver Summary:

| AMBIENT |        | LUMEN MULTIPLIER |
|---------|--------|------------------|
| 0 °C    | 32 °F  | 1.02             |
| 10 °C   | 50 °F  | 1.01             |
| 20 °C   | 68 °F  | 1                |
| 25 °C   | 77 °F  | 1                |
| 30 °C   | 86 °F  | 1                |
| 40 °C   | 104 °F | 0.99             |
| 50 °C   | 122 °F | 0.96             |

| SYSTEM WATTS | OUTPUT CURRENT | OUTPUT POWER |
|--------------|----------------|--------------|
| 30           | 500 mA         | 50 VDC       |
| 45           | 1000 mA        | 50 VDC       |
| 60           | 1100 mA        | 50 VDC       |
| 90           | 2200 mA        | 44 VDC       |
| 120          | 1100 mA (x2)   | 50 VDC       |

### Electrical Load - Standard Voltage:

| SYSTEM WATTS | INPUT CURRENT |         |         |         | INPUT VOLTAGE | INPUT FREQUENCY | POWER FACTOR                     | THD  | OPERATING TEMPERATURE             | SURGE PROTECTION        | DIMMING |
|--------------|---------------|---------|---------|---------|---------------|-----------------|----------------------------------|------|-----------------------------------|-------------------------|---------|
|              | 120 VAC       | 208 VAC | 240 VAC | 277 VAC |               |                 |                                  |      |                                   |                         |         |
| 30           | 0.25          | 0.14    | 0.13    | 0.11    | 120-277 VAC   | 50/60 Hz        | >0.98 @120 VAC<br>>0.90 @277 VAC | <20% | -40°F to 131°F<br>(-40°C to 55°C) | Independent<br>10kV SPD | 1-10V   |
| 45           | 0.38          | 0.22    | 0.19    | 0.16    |               |                 |                                  |      |                                   |                         |         |
| 60           | 0.50          | 0.29    | 0.25    | 0.22    |               |                 |                                  |      |                                   |                         |         |
| 90           | 0.75          | 0.43    | 0.38    | 0.32    |               |                 |                                  |      |                                   |                         |         |
| 120          | 1.00          | 0.58    | 0.50    | 0.43    |               |                 |                                  |      |                                   |                         |         |

### Electrical Load - High Voltage:

| SYSTEM WATTS | INPUT CURRENT |         |         | INPUT VOLTAGE | INPUT FREQUENCY | POWER FACTOR                     | THD                          | OPERATING TEMPERATURE             | SURGE PROTECTION        | DIMMING |
|--------------|---------------|---------|---------|---------------|-----------------|----------------------------------|------------------------------|-----------------------------------|-------------------------|---------|
|              | 277 VAC       | 347 VAC | 480 VAC |               |                 |                                  |                              |                                   |                         |         |
| 60           | 0.22          | 0.17    | 0.13    | 277-480 VAC   | 50/60 Hz        | >0.90 @277 VAC<br>>0.96 @480 VAC | <15% @277 VAC, <20% @480 VAC | -40°F to 158°F<br>(-40°C to 70°C) | Independent<br>10kV SPD | 1-10V   |
| 90           | 0.32          | 0.26    | 0.19    |               |                 |                                  |                              |                                   |                         |         |
| 120          | 0.43          | 0.35    | 0.25    |               |                 |                                  |                              |                                   |                         |         |