

Product Description:

Premium grade LED retrofit for existing fluorescent vapor tight fixtures. Upgrade existing vapor tight fixtures to LED in under 5 minutes.



Key Features & Benefits:

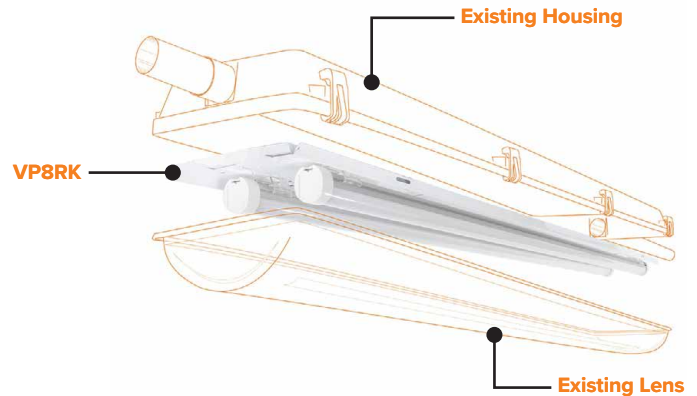
- Single Piece Design
- 0-10v Dimming Driver with 12v Aux
- 7 Year Warranty
- Frosted Ti Bars Enables Use of Existing Clear Lens
- Control Options
 - Photocell
 - Occupancy
- Emergency Capable



Project: _____ Date: _____

Catalog #: _____

Notes: _____



Performance Summary:

Wattage: 36
 Lumens: Up to 4,680 Lumens
 Efficacy: Up to 130 Lumens per Watt
 Kelvin: 3000K, 3500K, 4000K, 5000K
 Color Rendering Index (CRI): >82
 Rated Life: > 80,000 hrs

8' (VP8RK) Fixture Retrofit Compatibility:

- Columbia XEM & HEM Series
- LSI EG3 Series
- HE Williams 96 Series
- Simkar ENZ Series
- Texas Fluorescents CIT Series
- Atlas IFW Series
- LDPI 376 Series
- Daybrite DW Series
- Contact factory for custom configurations

Ordering Guide:

ESL	Ti	VP8RK	S	36W	F	
ESL	TYPE	SERIES	PERFORMANCE	WATTS	Ti LENS	KELVIN
	Ti Series TiHO Series	VP8RK (8ft Vapor Retrofit)	S (Standard) P (Premium)	36W (36 Watts) 44W (44 Watts) 60W (60 Watts) 88W (88 Watts) 120W (120 Watts) 180W (180 Watts)	F (Frosted)	30 (3000 Kelvin) 35 (3500 Kelvin) 40 (4000 Kelvin) 50 (5000 Kelvin)

Accessories (Field Installed)

Sensors:
ESL-REM-100 (Hand Held Remote to Control ESL-4OCC-LDD)
Lens*:
ESL-VP8-LENS-SHPC-CL (Shallow Lens Polycarbonate Clear)
ESL-VP8-LENS-SHPC-FR (Shallow Lens Polycarbonate Frosted)
ESL-VP8-LENS-SHAC-CL (Shallow Lens Acrylic Clear)
ESL-VP8-LENS-SHAC-FR (Shallow Lens Acrylic Frosted)

*Not all lenses are stocked items. Alternative lens options available. Please contact factory for more information.

Options (Factory Installed)

Emergency BBU:
ESL-EMG-SL1-OTB-9W (9 Watts Output, 90Min, 120-277VAC Input, 10-300VDC Output, Open Terminal Block Wiring)
ESL-EMG-SL2-CLW-5W (5 Watts Output, 90Min, 120-277VAC Input, 20-250VDC Output, Closed Lead Wiring)
ESL-EMG-SL3-CLW-5W (5 Watts Output, 90Min, 120-277VAC Input, 20-50VDC Output, Closed Lead Wiring)
ESL-EMG-SL1-CDC-18W (18W Output, 90Min, 120-277VAC Input, 20-300VDC Output, Closed Frame with Dual Flex Conduits)
Sensors:
ESL-3OCC (IP65 0-10v Occupancy Dimming Sensor. 8'- 50' Mounting, Wire From Side)
ESL-3OCCB (IP65 0-10v Occupancy Dimming Sensor. 8'- 50' Mounting, Wire From Top)

Options & Accessories:



ESL-30CC / ESL-30CCB

Sensor Type: Microwave
 Sensitivity Adjustment: 20% / 50% / 75% / 100%
 Dimming Control Output: 0-10V Max. 25mA sinking current
 Detection Radius/angle: 26.2ft@50ft Height/360°
 Detection Area (square footage): 2155ft²@50ft Height/360°
 Mounting Height: 50ft Max
 Remote Range: 50ft
 For more information please see the ESL-30CC cut sheet

ESL-REM-100

ESL-EMG-SL1-OTB-9W ESL-EMG-SL2-CLW-5W ESL-EMG-SL3-CLW-5W ESL-EMG-SL1-CDC-18W

For more information please see the
 ESL-EMG-SL1-OTB-9W cut sheet
 ESL-EMG-SL2-CLW-5W cut sheet
 ESL-EMG-SL3-CLW-5W cut sheet
 ESL-EMG-SL1-CDC-18W cut sheet

VP4RK - Catalog Data:

ESL	TYPE	SIZE	WATTAGE	FROSTED	KELVIN			KELVIN			KELVIN			KELVIN		
					3000K (30)			3500K (35)			4000K (40)			5000K (50)		
					LUMENS	LPW	DLC QPL	LUMENS	LPW	DLC QPL	LUMENS	LPW	DLC QPL	LUMENS	LPW	DLC QPL
ESL-Ti-VP4RK-S-26W-F					3,620	139	PSMKMULK	3,665	141	PDMVS3H8	3,720	143	PSNXOOSP	3,750	144	PTSE7TV9
ESL-Ti-VP4RK-S-36W-F					4,645	129	PFHJ036M	4,610	128	P2HFUX4X	4,570	127	P68H2OFE	4,550	126	PGP4QTPV
ESL-Ti-VP4RK-S-44W-F					6,070	138	PO87BP6X	6,200	141	PVRP9404	6,350	144	PJMF444K	6,450	144	PS08EYK5
ESL-TiHO-VP4RK-P-60W-F					N/A	N/A	N/A	N/A	N/A	N/A	8,020	133	PR2VBQ15	8,165	136	PKVT8TOD

VP8RK - Catalog Data:

ESL	TYPE	SIZE	WATTAGE	FROSTED	KELVIN			KELVIN			KELVIN			KELVIN		
					3000K (30)			3500K (35)			4000K (40)			5000K (50)		
					LUMENS	LPW	DLC QPL	LUMENS	LPW	DLC QPL	LUMENS	LPW	DLC QPL	LUMENS	LPW	DLC QPL
ESL-Ti-VP8RK-S-36W-F					4,595	127	PTQB7N8W	4,610	128	P3K4225U	4,645	129	POS66AO4	4,680	130	PLZF1FCK
ESL-Ti-VP8RK-S-44W-F					5,725	130	PEFX3TL8	5,765	131	PR6LJ13Q	5,810	132	PW430JBK	5,650	133	PCZVEVGG
ESL-Ti-VP8RK-S-60W-F					7,785	130	P6IV5ZPH	7,860	131	PDUSH1D9	7,920	132	PJRZHCBB	7,980	133	P15DXDX2
ESL-Ti-VP8RK-S-88W-F					10,950	124	PPEFISC2	11,000	125	P7GB8QKY	11,090	126	P464RYGM	11,175	127	PM8VXP6U
ESL-TiHO-VP8RK-P-120W-F					N/A	N/A	N/A	N/A	N/A	N/A	15,750	131	P5IL8VL5	15,600	130	PWFG79GT
ESL-TiHO-VP8RK-P-180W-F					N/A	N/A	N/A	N/A	N/A	N/A	23,800	132	PJ0QTRHU	24,300	135	PP3IQILT

VP8BRK - Catalog Data:

ESL	TYPE	SIZE	WATTAGE	FROSTED	KELVIN			KELVIN		
					4000K (40)			5000K (50)		
					LUMENS	LPW	DLC QPL	LUMENS	LPW	DLC QPL
ESL-TiHO-VP8BRK-P-60W-F					9,013	150	P49NP9YU	9,216	154	PLKH77IT
ESL-TiHO-VP8BRK-P-90W-F					13,525	150	PAGP716J	13,765	155	PM8JOYS
ESL-TiHO-VP8BRK-P-120W-F					17,876	150	PXL85XL	18,125	151	PBW2DOTT
ESL-TiHO-VP8BRK-P-150W-F					22,821	152	PIX4FETM	23,019	151	PCMG8DKJ
ESL-TiHO-VP8BRK-P-180W-F					27,128	151	P82PAMJ9	27,320	152	PMS5ARXA

4' (VP4RK) & 8' (VP8RK) Fixture Retrofit Compatibility:

- Columbia XEM & HEM Series
- LSI EG3 Series
- HE Williams 96 Series
- Simkar ENZ Series
- Texas Fluorescents CIT Series
- Atlas IFW Series
- LDPI 376 Series
- Daybrite DW Series
- Contact factory for custom configurations

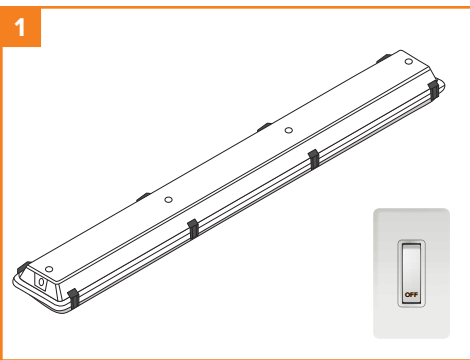
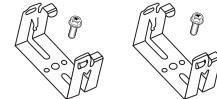
High Bay (VPHBRK) Fixture Retrofit Compatibility:

- ILP Blizzard Series
- Lithonia FHE Series
- Cooper VT4 Series
- Columbia XEW4 Series
- Philips DayBrite CFI Series

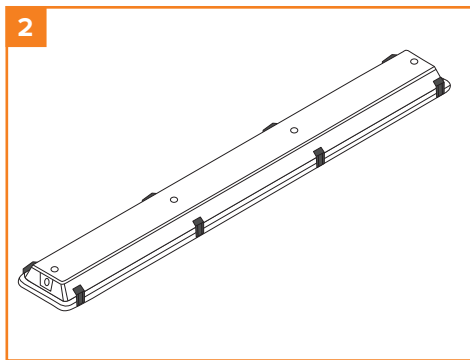
4' & 8' Installation:

Included Parts:

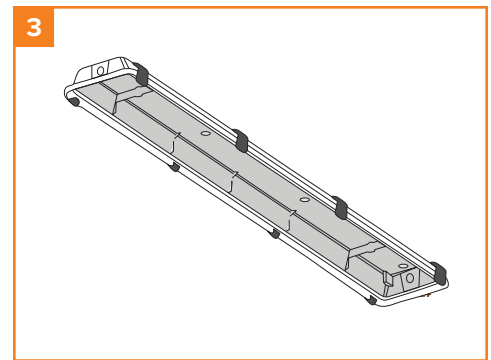
- (1) Ti LED Retrofit Plate
- (2) Vapor Retrofit Brackets
- (2) Retrofit Bracket Screws



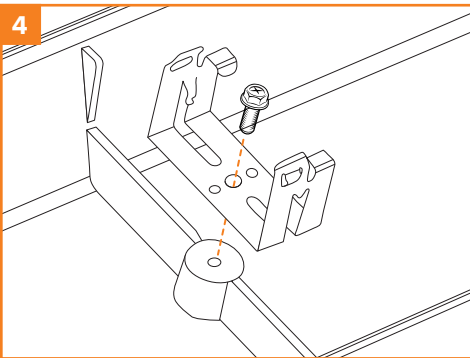
1 Disconnect power to the fixture



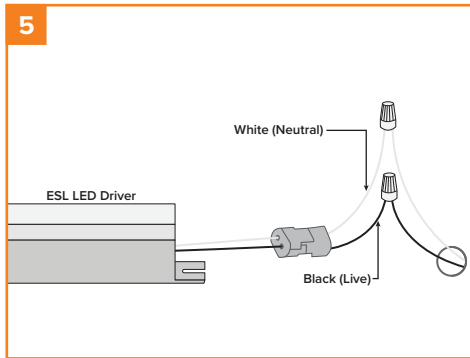
2 Unhinge latches to remove lens



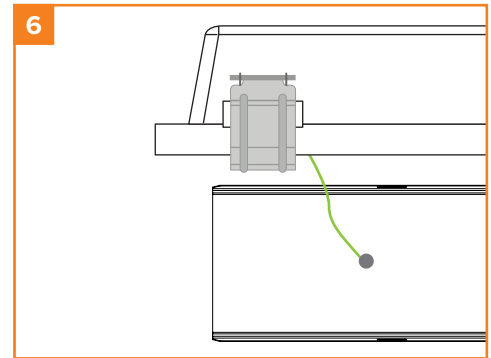
3 Disconnect ballast and remove existing gear tray from fixture. If ballast is not installed on gear tray, remove from housing.



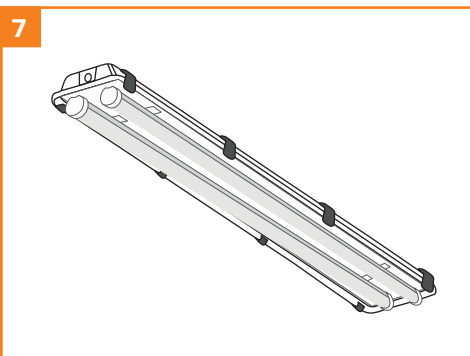
4 Install provided retrofit brackets into the housing. Remove existing clips if needed. If there are no clips, please confirm that housing has socket bars before continuing installation.



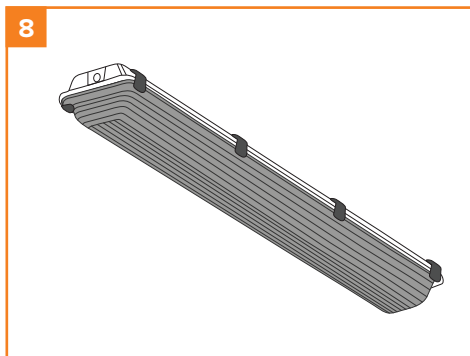
5 Connect AC input lines to incoming AC power using the proper connectors in accordance with current state and federal regulations.



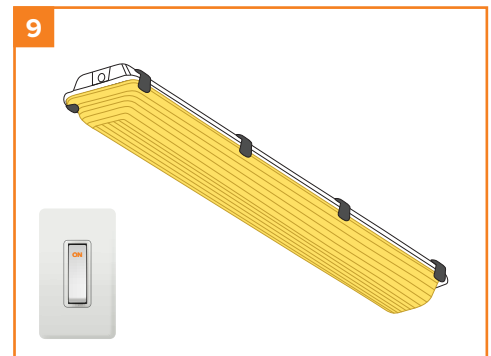
6 Ground the retrofit kit.



7 Once all electrical connections are made, push the retrofit plate up into the retrofit brackets to secure plate to body. If brackets were not used, use Tek-screws to attach plate to socket bars.



8 Reattach the lens to the fixture body.



9 Restore power to the fixture to complete installation.

Product Specifications:

Construction:

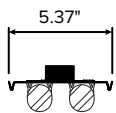
- Single piece design with pre-punched holes allowing for quick and easy installation
- Die-formed and embossed code 22 gauge steel
- High reflectance, baked white enamel finish

Electrical:

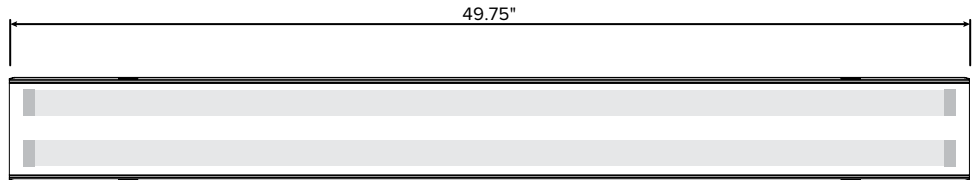
- Input Voltage: 120-277 VAC
- Power Factor @120 VAC - 0.97%, @277 VAC - 0.90%
- THD @110 VAC <10%, @277 VAC <15%
- Operating Temperature: -4°F to 122°F (-20°C to 50°C)
- CRI: >82
- Lifespan: >80,000 Hours
- Dimming: 0-10V Dimmable

Dimensions:

VP4RK SERIES

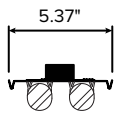


Side View

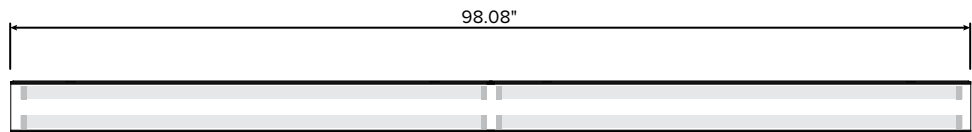


Front View

VP8RK SERIES

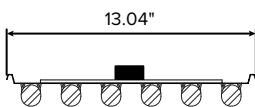


Side View

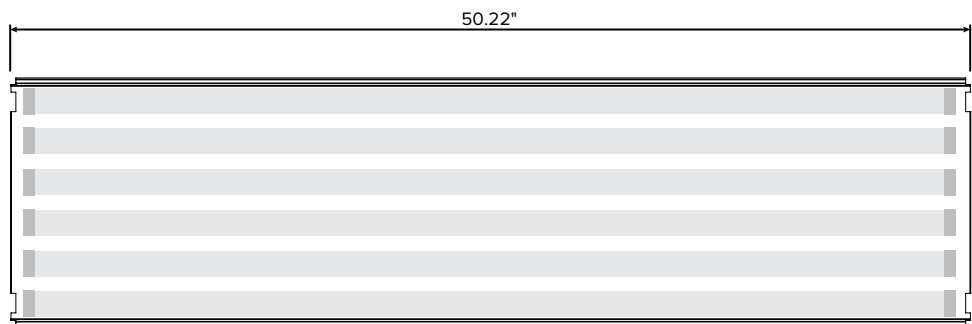


Front View

VPHBRK SERIES



Side View



Front View

Lumen Ambient Temperature (LAT) Multipliers:

AMBIENT		LUMEN MULTIPLIER
0 °C	32 °F	1.02
10 °C	50 °F	1.01
20 °C	68 °F	1
25 °C	77 °F	1
30 °C	86 °F	1
40 °C	104 °F	0.99
50 °C	122 °F	0.96

LED Lumen Maintenance:

SYSTEM WATTS	HOURS			
	0	25000	50000	100000
VP4RK				
26	-	-	-	-
36				
44				
60				
VP8RK				
36	-	-	-	-
44				
60				
88				
120				
180				
VPHBRK				
60	-	-	-	-
90				
120				
150				
180				

VP4RK - Electrical Load:

SYSTEM WATTS	INPUT CURRENT				INPUT VOLTAGE	INPUT FREQUENCY	POWER FACTOR	THD	OPERATING TEMPERATURE	DIMMING
	120 VAC	208 VAC	240 VAC	277 VAC						
26	0.22	0.13	0.11	0.09	120-277 VAC	50/60 Hz	>0.97 @120 VAC >0.90 @277 VAC	<10% @110VAC <15% @277VAC	-4°F to 122°F (-20°C to 50°C)	0-10V
36	0.30	0.17	0.15	0.13						
44	0.37	0.21	0.18	0.16						
60	0.50	0.29	0.25	0.22						

VP8RK - Electrical Load:

SYSTEM WATTS	INPUT CURRENT				INPUT VOLTAGE	INPUT FREQUENCY	POWER FACTOR	THD	OPERATING TEMPERATURE	DIMMING
	120 VAC	208 VAC	240 VAC	277 VAC						
36	0.30	0.17	0.15	0.13	120-277 VAC	50/60 Hz	>0.97 @120 VAC >0.90 @277 VAC	<10% @110VAC <15% @277VAC	-4°F to 122°F (-20°C to 50°C)	0-10V
44	0.37	0.21	0.18	0.16						
60	0.50	0.29	0.25	0.22						
88	0.73	0.42	0.37	0.32						
120	1.00	0.58	0.50	0.43						
180	1.50	0.87	0.75	0.65						

VPHBRK - Electrical Load:

SYSTEM WATTS	INPUT CURRENT				INPUT VOLTAGE	INPUT FREQUENCY	POWER FACTOR	THD	OPERATING TEMPERATURE	DIMMING
	120 VAC	208 VAC	240 VAC	277 VAC						
60	0.50	0.29	0.25	0.22	120-277 VAC	50/60 Hz	>0.97 @120 VAC >0.90 @277 VAC	<10% @110VAC <15% @277VAC	-4°F to 122°F (-20°C to 50°C)	0-10V
90	0.75	0.43	0.38	0.32						
120	1.00	0.58	0.50	0.43						
150	1.25	0.72	0.63	0.54						
180	1.50	0.87	0.75	0.65						