

### Key Features & Benefits:

- Installs in Minutes
  - Magnetic Clips
  - Hex Tek Screws
- 16 Available Kits in 1x2 Retrofit
  - 36 Available Kits in 1x4 Retrofit
  - 54 Available Kits in 2x4 Retrofit
  - 24 Available Kits in 2x2 Retrofit
  - 16 Available Kits in 1x8 Retrofit
- 1,310 to 3,432 Total Kit Lumens
- Long Life 80,000 Hours (L70)
  - 10 year warranty (12 hour run times)
  - 7 year warranty (24 hour run times)

### Technical Data:

#### Light Specifications:

Linear Ambient Kit Lumens: Up to 2,769 Lumens  
 Linear Ambient Kit Efficacy (lm/W): Up to 137 Lumens per Watt  
 Troffer Kit Lumens: Up to 2,769 Lumens  
 Troffer Kit Efficacy (lm/W): Up to 137 Lumens per Watt  
 Kelvin: 3000K, 3500K, 4000K, 5000K  
 Color Rendering Index (CRI): >82  
 Rated Life: > 80,000 hrs

#### Driver Data:

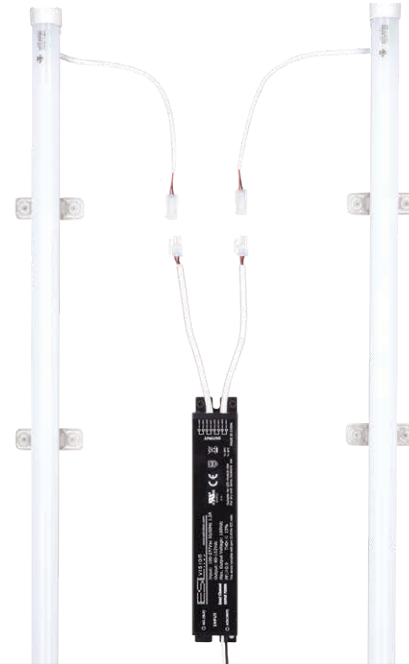
Input Voltage: 120-277 VAC  
 Driver Output: Dual Output  
 Output Power: 20 Watts  
 Input Current @ 120V: 0.17 Amps  
 Input Current @ 240V: 0.083 Amps  
 Input Current @ 277V: 0.072 Amps  
 Total Harmonic Distortion (THD): <10%  
 Operating Temperature: -4 ~ 122°F

Project: \_\_\_\_\_

Date: \_\_\_\_\_

Catalog #: \_\_\_\_\_

Notes: \_\_\_\_\_



### DLC QPL Application Listing:

ITEM#	TROFFER APPLICATION	DLC QPL CODE
ESL-Ti-K12-S-20W-2L-F30	Linear Retrofit Kit for 1x4 Luminaires	PPZF5AMW
ESL-Ti-K12-S-20W-2L-F35	Linear Retrofit Kit for 1x4 Luminaires	PDN79Y1J
ESL-Ti-K12-S-20W-2L-F40	Linear Retrofit Kit for 1x4 Luminaires	POWXBE29
ESL-Ti-K12-S-20W-2L-F50	Linear Retrofit Kit for 1x4 Luminaires	PRTKZ4I9

ITEM#	LINEAR AMBIENT APPLICATION	DLC QPL CODE
ESL-Ti-K12-S-20W-2L-F30	Retrofit Kit for Direct Linear Ambient Luminaires	PPZF5AMW
ESL-Ti-K12-S-20W-2L-F35	Retrofit Kit for Direct Linear Ambient Luminaires	PDN79Y1J
ESL-Ti-K12-S-20W-2L-F40	Retrofit Kit for Direct Linear Ambient Luminaires	POWXBE29
ESL-Ti-K12-S-20W-2L-F50	Retrofit Kit for Direct Linear Ambient Luminaires	PRTKZ4I9

### Catalog Data:

ITEM#	WATTS	KELVIN	TROFFER KIT LUMENS	TROFFER KIT EFFICACY (lm/W)	LINEAR AMBIENT KIT LUMENS	LINEAR AMBIENT KIT EFFICACY (lm/W)
ESL-Ti-K12-S-20W-2L-F30	20W	3000K	2,579	129	2,579	129
ESL-Ti-K12-S-20W-2L-F35	20W	3500K	2,627	130	2,627	130
ESL-Ti-K12-S-20W-2L-F40	20W	4000K	2,674	133	2,674	133
ESL-Ti-K12-S-20W-2L-F50	20W	5000K	2,769	137	2,769	137

### Ordering Guide:

<b>ESL</b>	<b>Ti</b>	<b>K12</b>	<b>S</b>	<b>20W</b>	<b>2L</b>	<b>F</b>	
ESL	TYPE	SERIES	CLASS	WATTS	Ti	LENS	KELVIN
	Ti Series	K12 (1x2 Kit)	S	20W (20 Watts) 26W (26 Watts)	2L (Two Ti)	F (Frosted)	30 (3000 Kelvin) 35 (3500 Kelvin) 40 (4000 Kelvin) 50 (5000 Kelvin)

### Alternate 1'x2' Ti Kit Options:



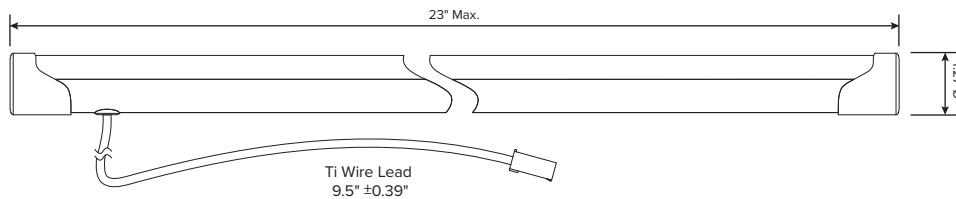
1L Output

### What's Included:

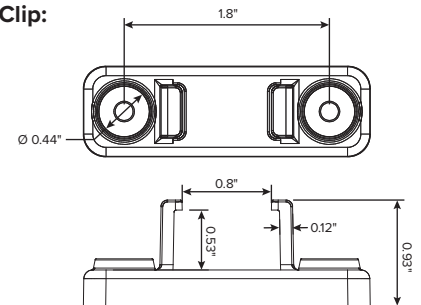
- (2) LED Ti Bars
- (1) LED Driver
- (4) Ti Clips with Rare Earth Magnets
- (8) Self Tapping Screws
- (1) UL1598C Certification Label

### Dimensions:

#### Ti:



#### Clip:



#### Driver:

