

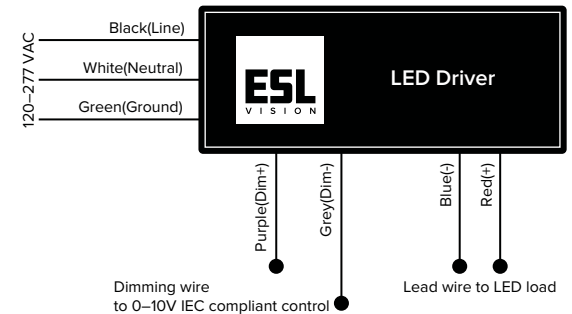
### ! WARNING

1. To reduce the risk of death, personal injury or property damage from fire, electric shock, falling parts, cuts/abrasions, and other hazards read all warnings and instructions included with and on the fixture box and all fixture labels.
2. Before installing, servicing, or performing routine maintenance upon this equipment, follow these general precautions.
3. Commercial installation, service and maintenance of luminaire should be performed by a qualified licensed electrician.
4. If you are unsure about the installation or maintenance of the luminaire, consult a qualified licensed electrician and check your local electrical code.
5. To prevent wire damage or abrasion, do not expose wiring to edges of sheet metal or other sharp objects.
6. Do not make or alter any open holes in an enclosure of wiring or electrical components during kit installation.
7. Turn off electrical power at fuse or circuit breaker box before wiring fixture to the power supply.
8. Turn off the power when you perform any maintenance.
9. Verify that supply voltage is correct by comparing it with the luminaire label information
10. All wiring connections should be capped with UL approved wire connectors.

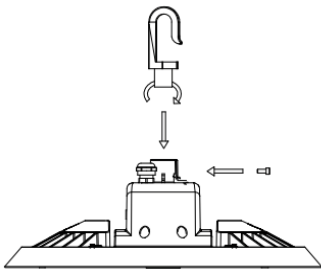
### ! CAUTION

1. Avoid direct eye exposure to the light source while it is on.
2. Account for small parts and destroy packing material, as these may be hazardous to children.
3. Risk of burn. Disconnect power and allow fixture to cool before changing bulb or handing fixture.

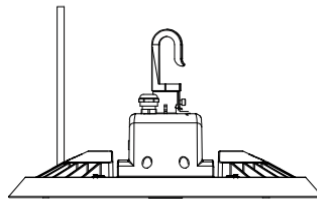
### General Wiring Guide



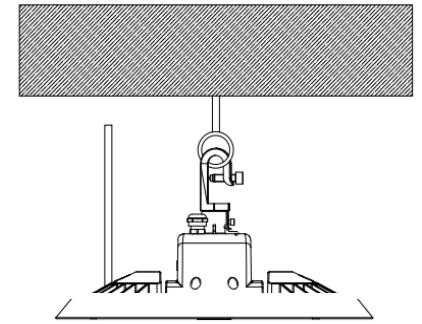
### Installation Instructions



**1** First install the hook to the RHB fixture using the provided screws to mount to the hook to the fixture.

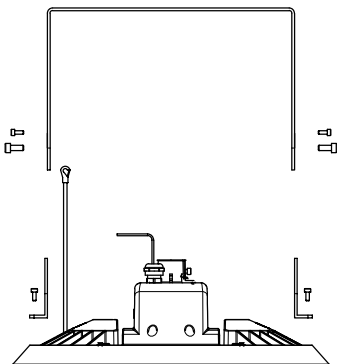


**2** Install the provided safety wire.

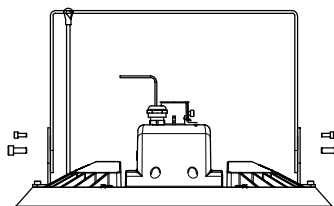


**3** Attached the fixture hook to a pre-installed ring in the ceiling. Install the provided screw into the hook.

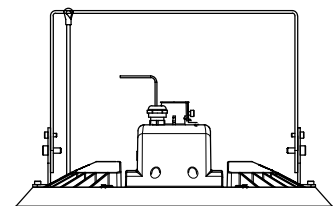
### Yoke Installation Instructions



**1** Install the L-brackets to the fixture.



**2** Mount the yoke to the L-brackets.



**3** Mount to surface.