

### Key Features & Benefits:

- DLC Listed 2x4 Troffer Retrofit Kit
- Installs in Minutes
  - Magnetic Clips
  - Hex Tek Screws
- 54 Available 2x4 Retrofit Kits
  - 24 Available 2x2 Retrofit Kits
  - 36 Available 1x4 Retrofit Kits
- 2,779 to 12,639 Troffer Kit Lumens
- 3,328 to 14,280 Linear Ambient Kit Lumens
- Long Life 80,000 Hours (L70)
  - 10 year warranty (12 hour run times)
  - 7 year warranty (24 hour run times)

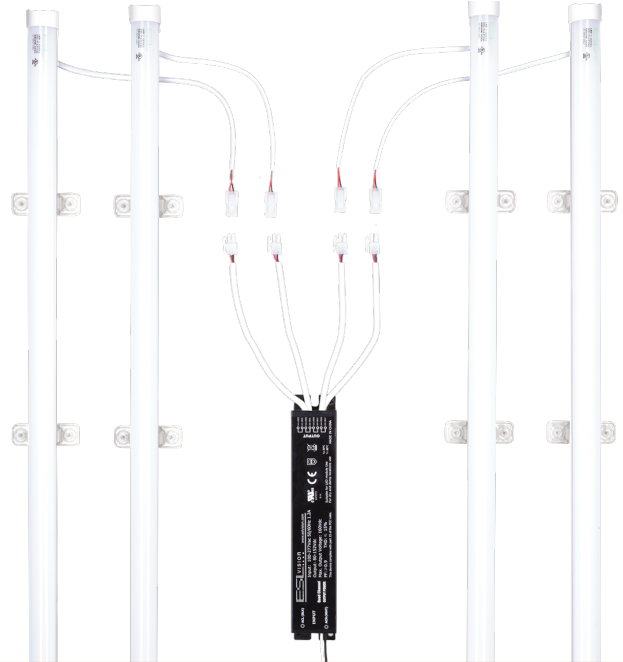


Project: \_\_\_\_\_

Date: \_\_\_\_\_

Catalog #: \_\_\_\_\_

Notes: \_\_\_\_\_



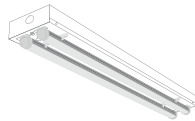
### Technical Data:

#### Light Specifications:

- Linear Ambient Kit Lumens: Up to 9,661 Lumens
- Linear Ambient Kit Efficacy (lm/W): Up to 138 Lumens per Watt
- Troffer Kit Lumens: Up to 7,675 Lumens
- Troffer Kit Efficacy (lm/W): Up to 111 Lumens per Watt
- Kelvin: 3000K, 3500K, 4000K, 5000K
- Color Rendering Index (CRI): >82
- Rated Life: > 80,000 hrs

#### Driver Data:

- Input Voltage: 120-277 VAC
- Driver Output: Quad Output
- Output Power: 72 Watts
- Input Current @ 120V: 0.6 Amps
- Input Current @ 240V: 0.3 Amps
- Input Current @ 277V: 0.26 Amps
- Total Harmonic Distortion (THD): <10%
- Operating Temperature: -4 ~ 122°F



### DLC QPL Application Listing:

ITEM#	TROFFER APPLICATION	DLC QPL CODE
ESL-Ti-K24-S-72W-4L-F30	Linear Retrofit Kit for 2x4 Luminaires	P2QG985Y
ESL-Ti-K24-S-72W-4L-F35	Linear Retrofit Kit for 2x4 Luminaires	PXA3HQ99
ESL-Ti-K24-S-72W-4L-F40	Linear Retrofit Kit for 2x4 Luminaires	P9MW3ZCE
ESL-Ti-K24-S-72W-4L-F50	Linear Retrofit Kit for 2x4 Luminaires	PQZGUECV

ITEM#	LINEAR AMBIENT APPLICATION	DLC QPL CODE
ESL-Ti-K24-S-72W-4L-F30	Retrofit Kit for Direct Linear Ambient Luminaires	PKK8YCES
ESL-Ti-K24-S-72W-4L-F35	Retrofit Kit for Direct Linear Ambient Luminaires	PX2GJIDX
ESL-Ti-K24-S-72W-4L-F40	Retrofit Kit for Direct Linear Ambient Luminaires	P38RF3I6
ESL-Ti-K24-S-72W-4L-F50	Retrofit Kit for Direct Linear Ambient Luminaires	P5UZAT39

### Catalog Data:

ITEM#	WATTS	KELVIN	TROFFER KIT LUMENS	TROFFER KIT EFFICACY (lm/W)	LINEAR AMBIENT KIT LUMENS	LINEAR AMBIENT KIT EFFICACY (lm/W)
ESL-Ti-K24-S-72W-4L-F30	72W	3000K	7,485	109	9,514	136
ESL-Ti-K24-S-72W-4L-F35	72W	3500K	7,549	110	9,513	136
ESL-Ti-K24-S-72W-4L-F40	72W	4000K	7,612	111	9,587	137
ESL-Ti-K24-S-72W-4L-F50	72W	5000K	7,675	111	9,661	138

### Ordering Guide:

<b>ESL</b>	<b>Ti</b>	<b>K24</b>	<b>S</b>	<b>72W</b>	<b>4L</b>	<b>F</b>		
ESL	TYPE	SERIES	CLASS	WATTS	Ti	LENS	KELVIN	OPTIONS
	Ti Series	K24 (2x4 Kit)	S	52W (52 Watts) 60W (60 Watts) 72W (72 Watts) 88W (88 Watts)	4L (Four Ti)	F (Frosted)	30 (3000 Kelvin) 35 (3500 Kelvin) 40 (4000 Kelvin) 50 (5000 Kelvin)	

### Alternate 2'x4' Ti Kit Options:



2L Output

3L Output

### What's Included:

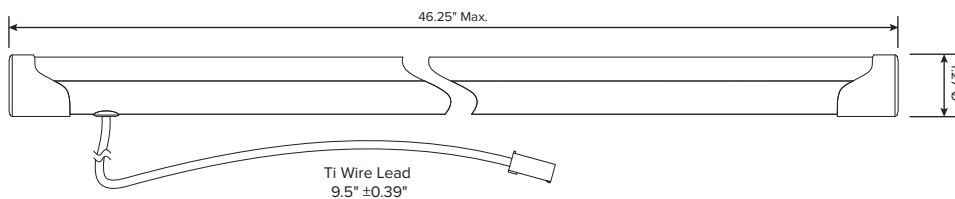
- (4) LED Ti Bars
- (1) LED Driver
- (8) Ti Clips with Rare Earth Magnets
- (16) Self Tapping Screws
- (1) UL1598C Certification Label

### Options (Add as Suffix):

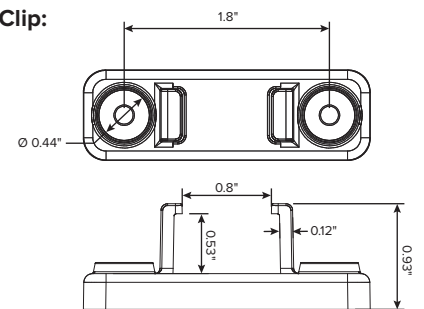
- ESL-EMG-4DC-9W (Emergency Back Up, DC, 9 Watt)

### Dimensions:

#### Ti:



#### Clip:



#### Driver:

