

Key Features & Benefits:

- DLC Listed 2x2 Troffer Retrofit Kit
- Installs in Minutes
 - Magnetic Clips
 - Hex Tek Screws
- 24 Available 2x2 Retrofit Kits
 - 36 Available 1x4 Retrofit Kits
 - 54 Available 2x4 Retrofit Kits
- 1,829 to 5,332 Troffer Kit Lumens
- 2,360 to 6,552 Linear Ambient Kit Lumens
- Long Life 80,000 Hours (L70)
 - 10 year warranty (12 hour run times)
 - 7 year warranty (24 hour run times)



Project: _____ Date: _____

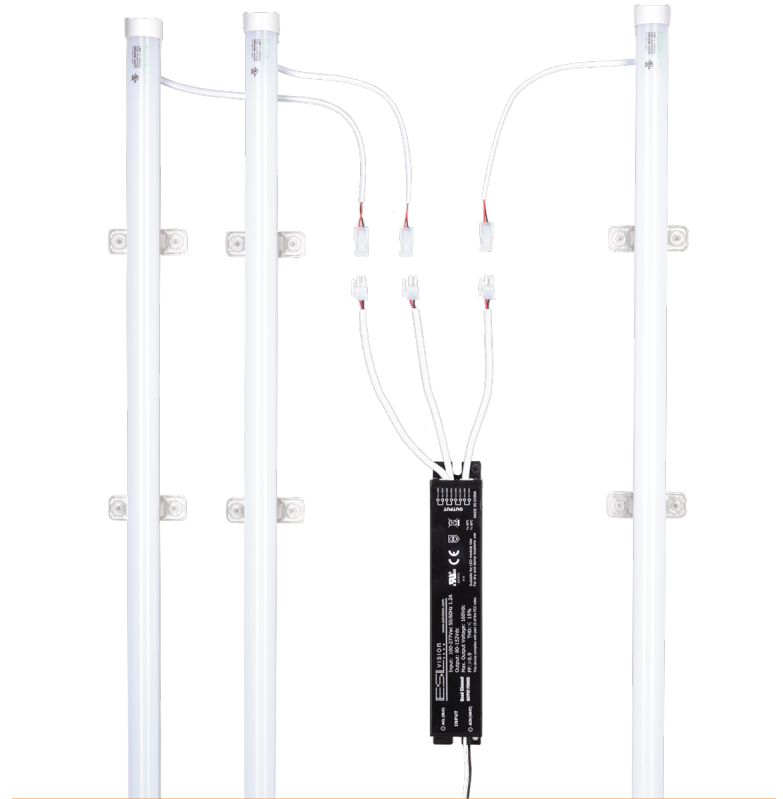
Catalog #: _____

Notes: _____

Technical Data:

Light Specifications:

- Linear Ambient Kit Lumens: Up to 3,720 Lumens
- Linear Ambient Kit Efficacy (lm/W): Up to 124 Lumens per Watt
- Troffer Kit Lumens: Up to 2,786 Lumens
- Troffer Kit Efficacy (lm/W): Up to 105 Lumens per Watt
- Kelvin: 3000K, 3500K, 4000K, 5000K
- Color Rendering Index (CRI): >82
- Rated Life: > 80,000 hrs



Driver Data:

- Input Voltage: 120-277 VAC
- Driver Output: Triple Output
- Output Power: 30 Watts
- Input Current @ 120V: 0.25 Amps
- Input Current @ 240V: 0.125 Amps
- Input Current @ 277V: 0.108 Amps
- Total Harmonic Distortion (THD): <10%
- Operating Temperature: -4 ~ 122°F



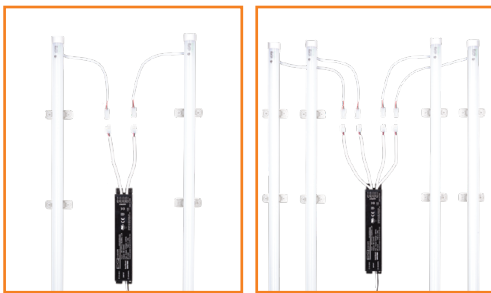
Catalog Data:

ITEM#	WATTS	KELVIN	TROFFER KIT LUMENS	TROFFER KIT EFFICACY (lm/W)	LINEAR AMBIENT KIT LUMENS	LINEAR AMBIENT KIT EFFICACY (lm/W)	DLC QPL CODE
ESL-Ti-K22-S-30W-3L-F30	30W	3000K	2,664	103	3,630	121	PWTSPZfZ
ESL-Ti-K22-S-30W-3L-F35	30W	3500K	2,695	103	3,630	121	P3Y387BJ
ESL-Ti-K22-S-30W-3L-F40	30W	4000K	2,725	104	3,660	122	PGQFK8ZW
ESL-Ti-K22-S-30W-3L-F50	30W	5000K	2,786	105	3,720	124	PAZPUB54

Ordering Guide:

ESL	Ti	K22	S	30W	3L	F		
ESL	TYPE	SERIES	CLASS	WATTS	Ti	LENS	KELVIN	OPTIONS
	Ti Series	K22 (2x2 Kit)	S	30W (30 Watts) 39W (39 Watts)	3L (Three Ti)	F (Frosted)	30 (3000 Kelvin) 35 (3500 Kelvin) 40 (4000 Kelvin) 50 (5000 Kelvin)	

Alternate 2'x2' Ti Kit Options:



2L Output

4L Output

What's Included:

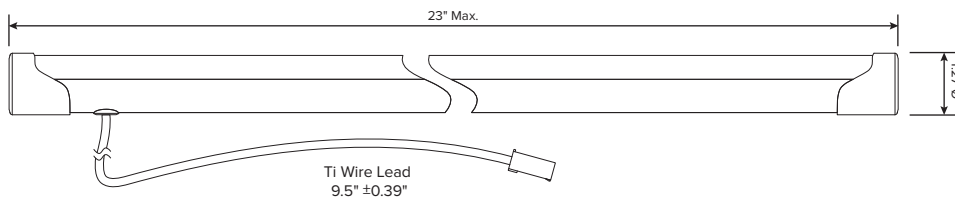
- (3) LED Ti Bars
- (1) LED Driver
- (6) Ti Clips with Rare Earth Magnets
- (12) Self Tapping Screws
- (1) UL1598C Certification Label

Options (Add as Suffix):

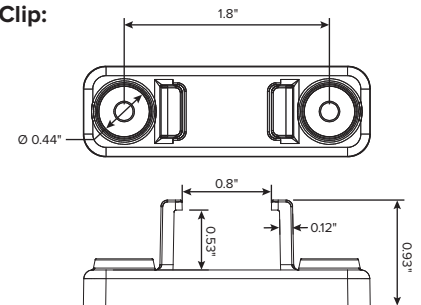
- ESL-EMG-4DC-9W (Emergency Back Up, DC, 9 Watt)

Dimensions:

Ti:



Clip:



Driver:

