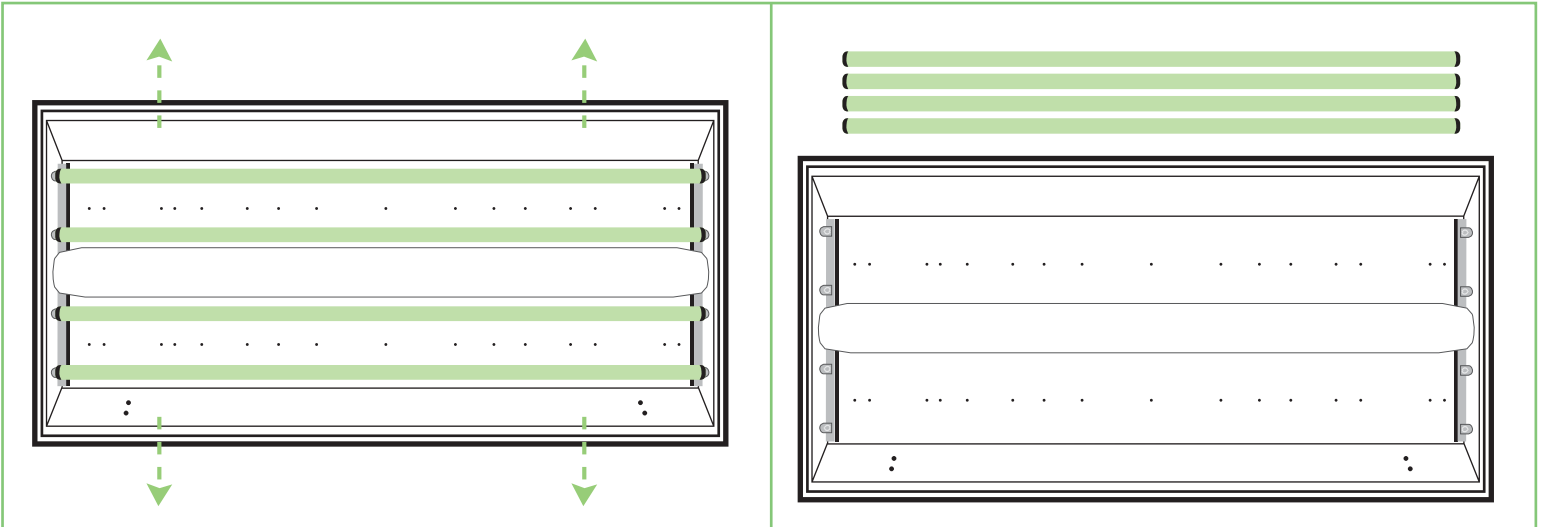
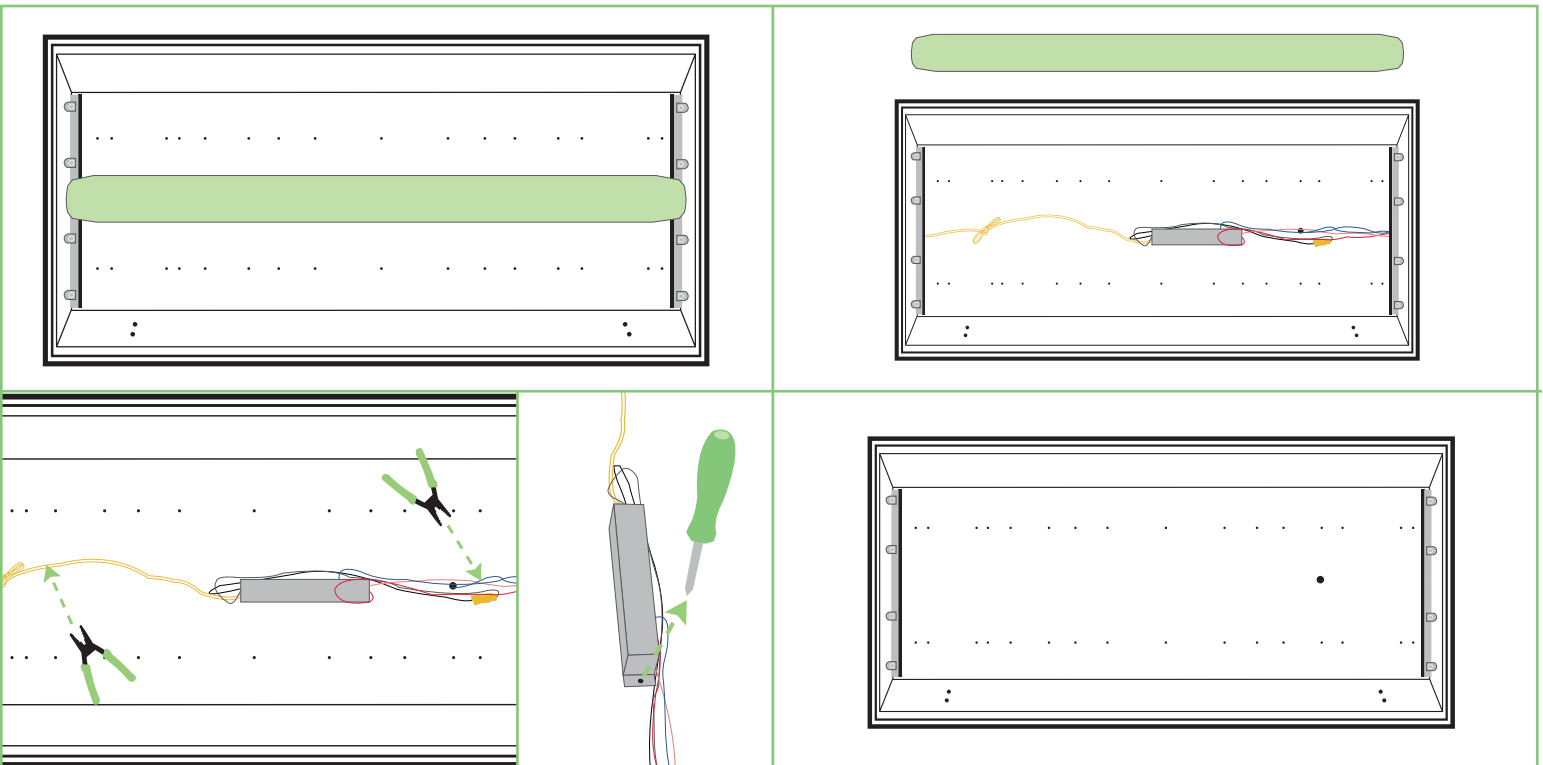


### SAFETY PRECAUTIONS:

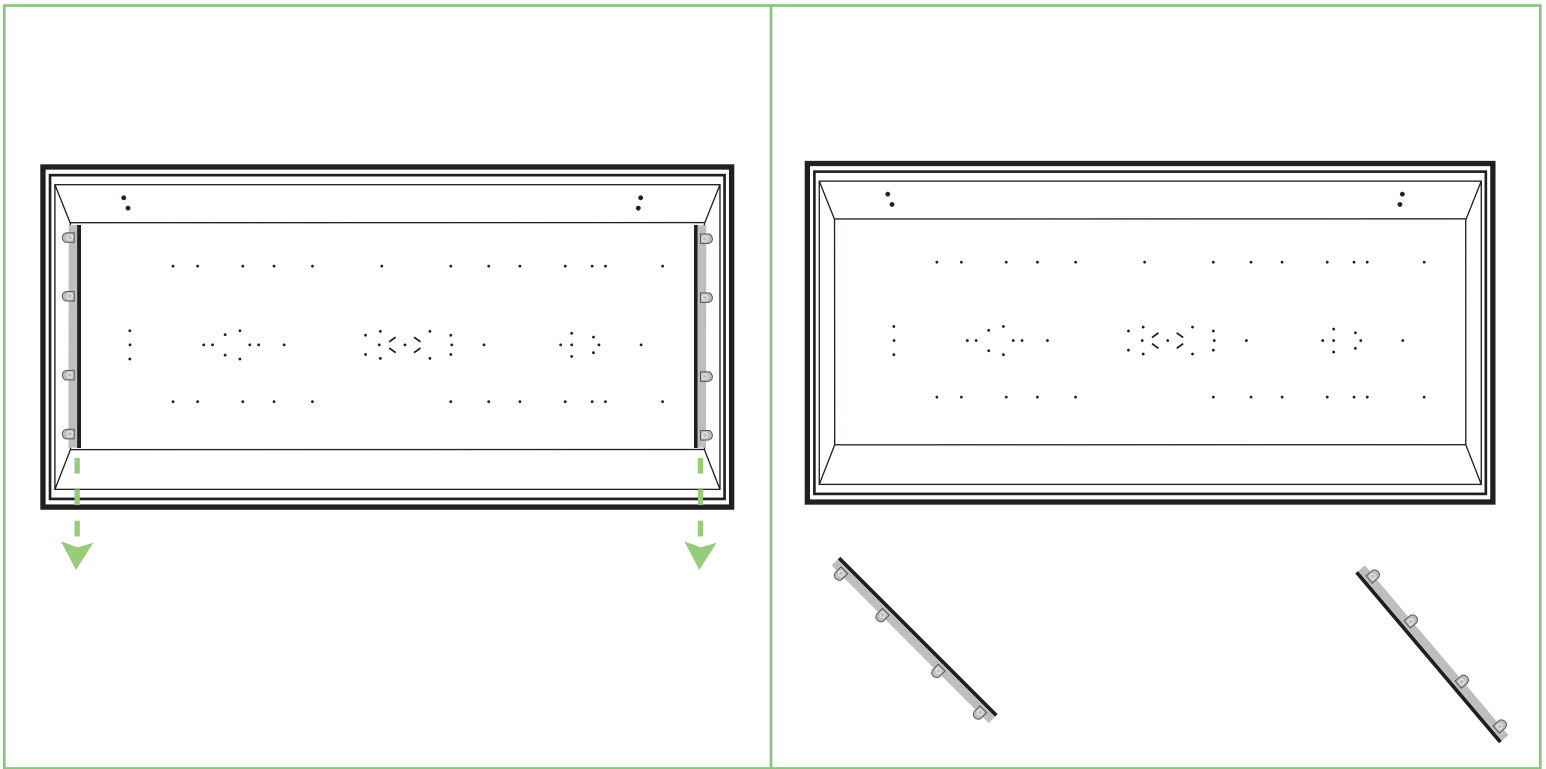
1. TURN OFF ELECTRICAL POWER BEFORE STARTING INSTALLATION OF LAMPS.
2. THIS PRODUCT MUST BE INSTALLED IN ACCORDANCE WITH THE APPLICABLE INSTALLATION CODE BY A PERSON FAMILIAR WITH THE CONSTRUCTION AND OPERATION OF THE PRODUCT AND THE HAZARDS INVOLVED.



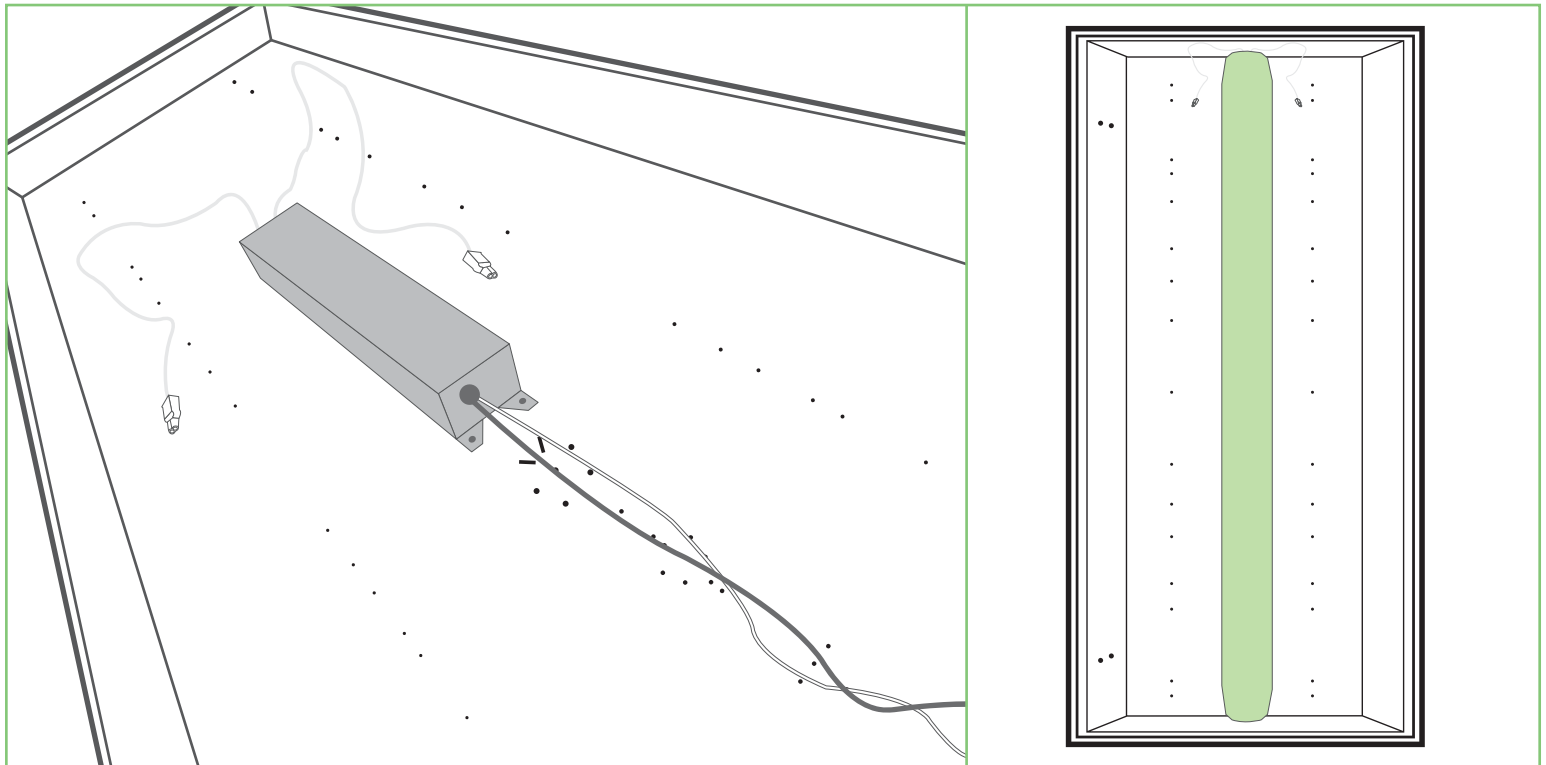
**STEP 1:** Remove existing fluorescent lamps. USE EXTREME CAUTION as lamps will be EXTREMELY hot.



**STEP 2:** Once the lamps are removed, remove the wiring compartment and disconnect the ballast.

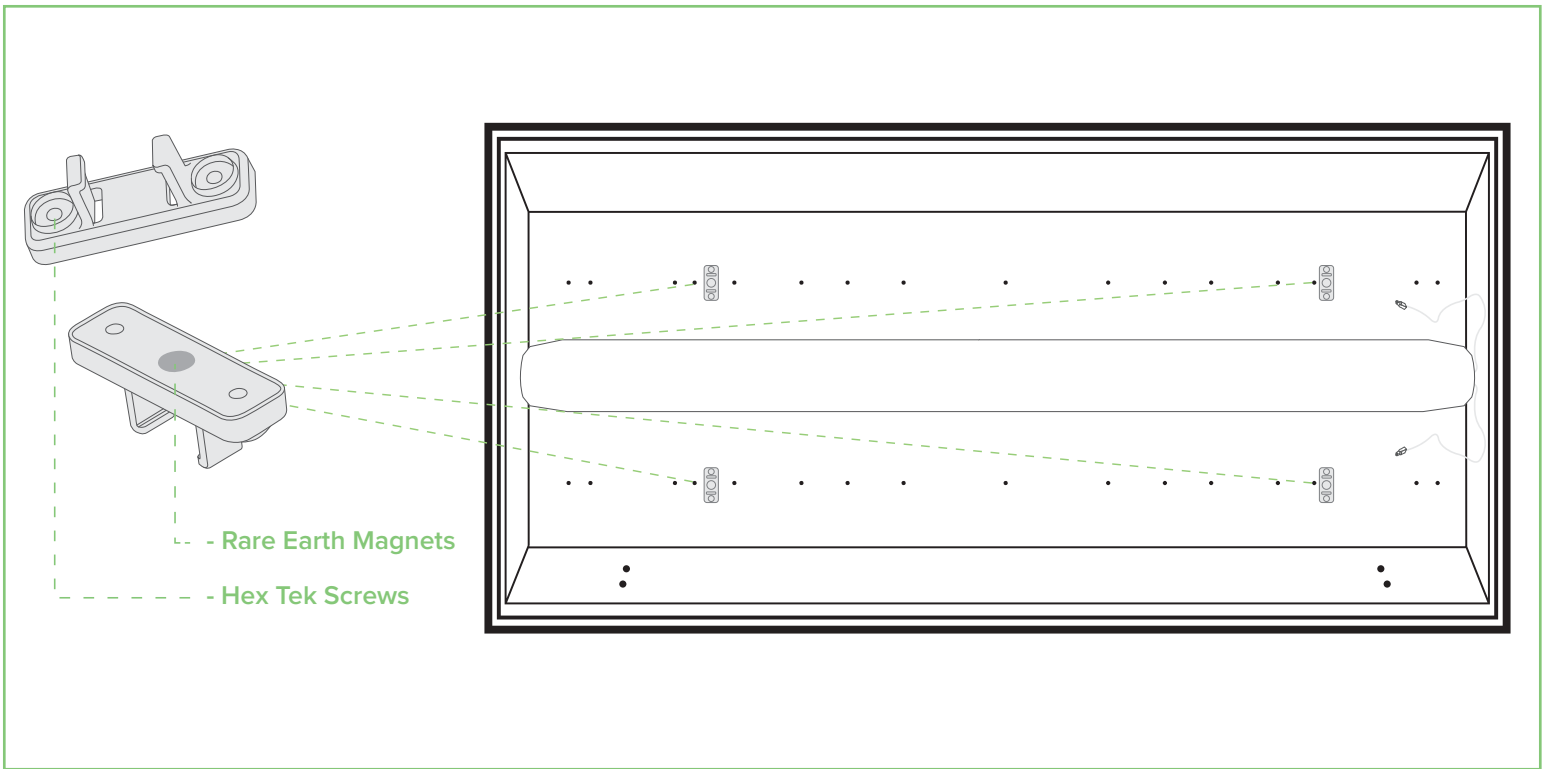


**STEP 3:** Remove the tombstones from each end of fixture.

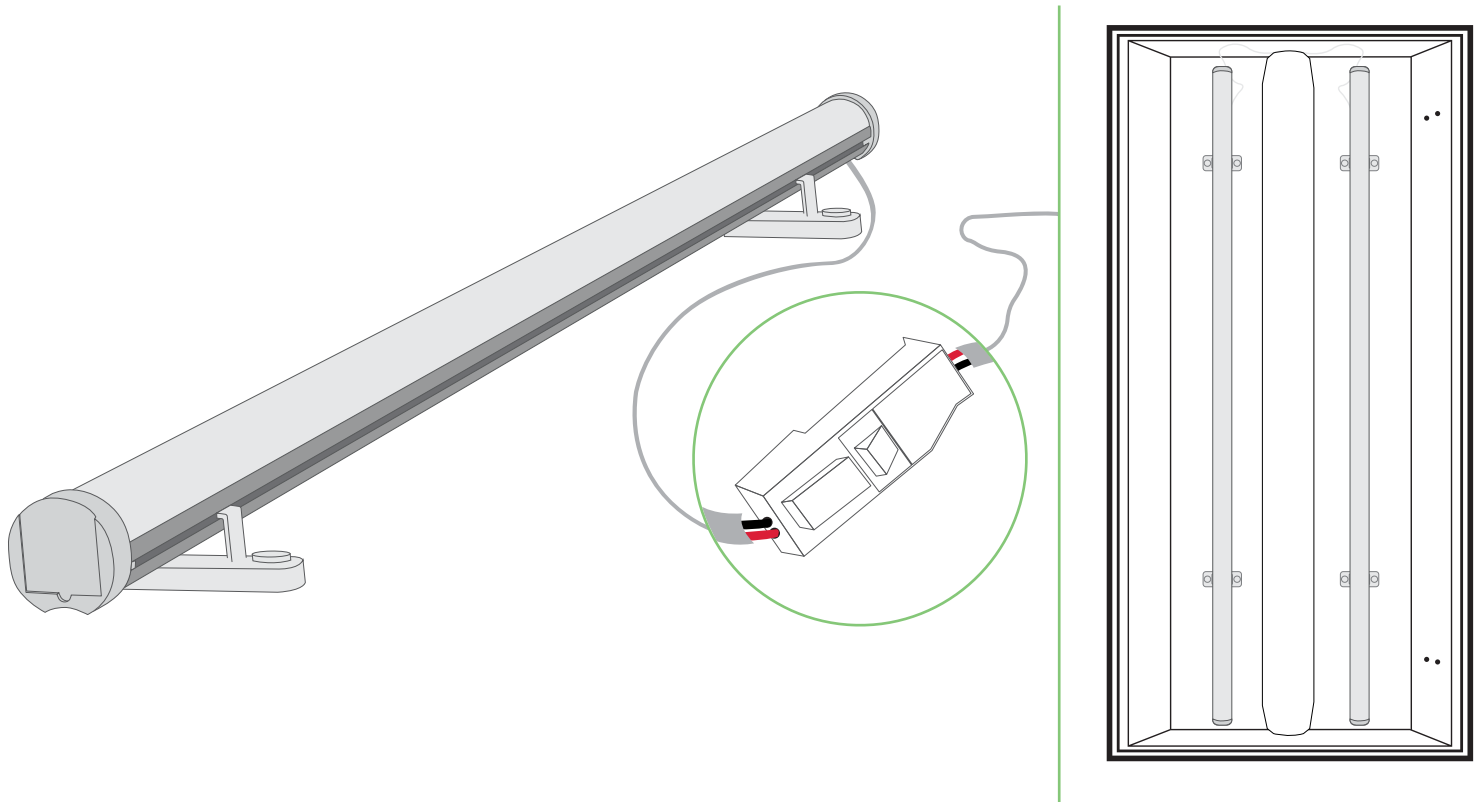


**STEP 4:** Once the ballast is removed replace it with the ESL Vision Quick Connect Driver. The driver is designed to fit in the same location as the previous ballast. Pull the DC lines to the end of the wire compartment. Replace the ballast cover.





**STEP 5:** Place Ti Clips into position. Ti Clips have strong magnets on the back. This allows the clips to be repositionable for perfect easy and perfect placement. Once the clips are in the desired position, screw them into the fixture using the provided Hex Tek Screw.



**STEP 6:** Clip Ti Tube into Ti Clips, connect the Quick Connects and push the wires back into the wire compartment.

