

Key Features & Benefits:

- Installs in Minutes
 - Magnetic Clips
 - Hex Tek Screws
- 16 Available Kits in 1x2 Retrofit
 - 36 Available Kits in 1x4 Retrofit
 - 54 Available Kits in 2x4 Retrofit
 - 24 Available Kits in 2x2 Retrofit
 - 16 Available Kits in 1x8 Retrofit
- 1,310 to 3,432 Total Kit Lumens
- Long Life 80,000 Hours (L70)
 - 10 year warranty (12 hour run times)
 - 7 year warranty (24 hour run times)

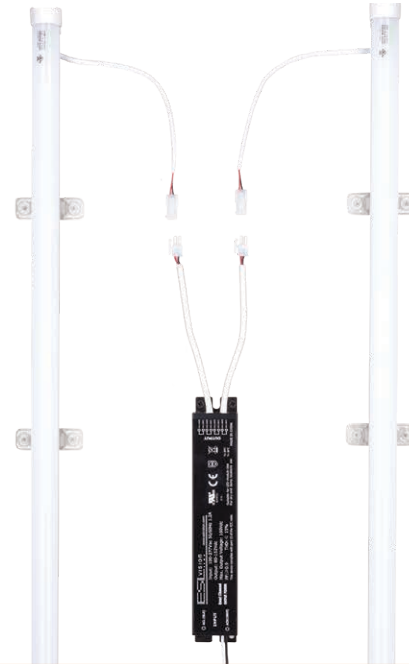


Project: _____

Date: _____

Catalog #: _____

Notes: _____



Technical Data:

Light Specifications:

- Linear Ambient Kit Lumens: Up to 3,322 Lumens
- Linear Ambient Kit Efficacy (lm/W): Up to 132 Lumens per Watt
- Troffer Kit Lumens: Up to 3,322 Lumens
- Troffer Kit Efficacy (lm/W): Up to 132 Lumens per Watt
- Kelvin: 3000K, 3500K, 4000K, 5000K
- Color Rendering Index (CRI): >82
- Rated Life: > 80,000 hrs

Driver Data:

- Input Voltage: 120-277 VAC
- Driver Output: Dual Output
- Output Power: 26 Watts
- Input Current @ 120V: 0.217 Amps
- Input Current @ 240V: 0.108 Amps
- Input Current @ 277V: 0.094 Amps
- Total Harmonic Distortion (THD): <10%
- Operating Temperature: -4 ~ 122°F



DLC QPL Application Listing:

ITEM#	TROFFER APPLICATION	DLC QPL CODE
ESL-Ti-K12-S-26W-2L-F30	Linear Retrofit Kit for 1x4 Luminaires	PYHZMSK5
ESL-Ti-K12-S-26W-2L-F35	Linear Retrofit Kit for 1x4 Luminaires	PKNW6WK8
ESL-Ti-K12-S-26W-2L-F40	Linear Retrofit Kit for 1x4 Luminaires	PRB9PGMW
ESL-Ti-K12-S-26W-2L-F50	Linear Retrofit Kit for 1x4 Luminaires	POAD0ZWY

ITEM#	LINEAR AMBIENT APPLICATION	DLC QPL CODE
ESL-Ti-K12-S-26W-2L-F30	Retrofit Kit for Direct Linear Ambient Luminaires	PYHZMSK5
ESL-Ti-K12-S-26W-2L-F35	Retrofit Kit for Direct Linear Ambient Luminaires	PKNW6WK8
ESL-Ti-K12-S-26W-2L-F40	Retrofit Kit for Direct Linear Ambient Luminaires	PRB9PGMW
ESL-Ti-K12-S-26W-2L-F50	Retrofit Kit for Direct Linear Ambient Luminaires	POAD0ZWY

Catalog Data:

ITEM#	WATTS	KELVIN	TROFFER KIT LUMENS	TROFFER KIT EFFICACY (lm/W)	LINEAR AMBIENT KIT LUMENS	LINEAR AMBIENT KIT EFFICACY (lm/W)
ESL-Ti-K12-S-26W-2L-F30	26W	3000K	3,099	123	3,099	123
ESL-Ti-K12-S-26W-2L-F35	26W	3500K	3,155	125	3,155	125
ESL-Ti-K12-S-26W-2L-F40	26W	4000K	3,211	128	3,211	128
ESL-Ti-K12-S-26W-2L-F50	26W	5000K	3,322	132	3,322	132

Ordering Guide:

ESL	Ti	K12	S	26W	2L	F	
ESL	TYPE	SERIES	CLASS	WATTS	Ti	LENS	KELVIN
	Ti Series	K12 (1x2 Kit)	S	20W (20 Watts) 26W (26 Watts)	2L (Two Ti)	F (Frosted)	30 (3000 Kelvin) 35 (3500 Kelvin) 40 (4000 Kelvin) 50 (5000 Kelvin)

Alternate 1'x2' Ti Kit Options:



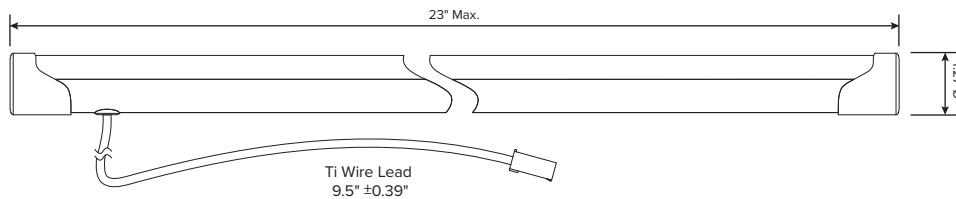
1L Output

What's Included:

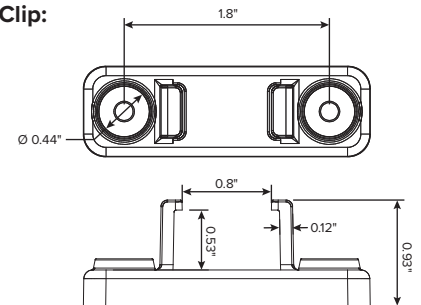
- (2) LED Ti Bars
- (1) LED Driver
- (4) Ti Clips with Rare Earth Magnets
- (8) Self Tapping Screws
- (1) UL1598C Certification Label

Dimensions:

Ti:



Clip:



Driver:

