

Key Features & Benefits:

- DLC Listed 2x2 Troffer Retrofit Kit
- Installs in Minutes
 - Magnetic Clips
 - Hex Tek Screws
- 24 Available 2x2 Retrofit Kits
 - 36 Available 1x4 Retrofit Kits
 - 54 Available 2x4 Retrofit Kits
- 1,829 to 5,332 Troffer Kit Lumens
- 2,360 to 6,552 Linear Ambient Kit Lumens
- Long Life 80,000 Hours (L70)
 - 10 year warranty (12 hour run times)
 - 7 year warranty (24 hour run times)



Project: _____ Date: _____

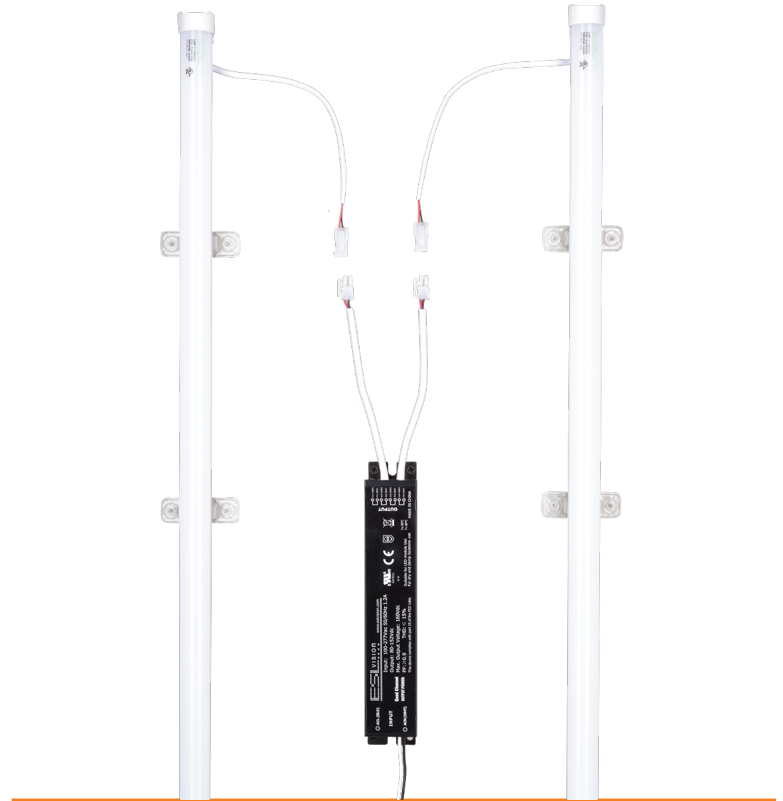
Catalog #: _____

Notes: _____

Technical Data:

Light Specifications:

- Linear Ambient Kit Lumens: Up to 2,769 Lumens
- Linear Ambient Kit Efficacy (lm/W): Up to 137 Lumens per Watt
- Troffer Kit Lumens: Up to 1,946 Lumens
- Troffer Kit Efficacy (lm/W): Up to 105 Lumens per Watt
- Kelvin: 3000K, 3500K, 4000K, 5000K
- Color Rendering Index (CRI): >82
- Rated Life: > 80,000 hrs



Driver Data:

- Input Voltage: 120-277 VAC
- Driver Output: Dual Output
- Output Power: 20 Watts
- Input Current @ 120V: 0.167 Amps
- Input Current @ 240V: 0.083 Amps
- Input Current @ 277V: 0.072 Amps
- Total Harmonic Distortion (THD): <10%
- Operating Temperature: -4 ~ 122°F



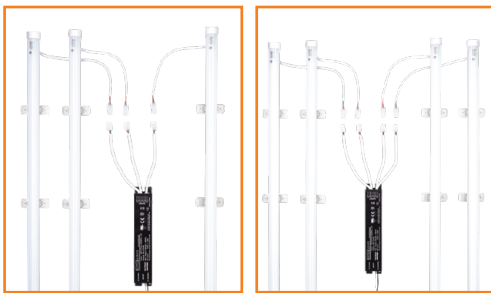
Catalog Data:

ITEM#	WATTS	KELVIN	TROFFER KIT LUMENS	TROFFER KIT EFFICACY (lm/W)	LINEAR AMBIENT KIT LUMENS	LINEAR AMBIENT KIT EFFICACY (lm/W)	DLC QPL CODE
ESL-Ti-K22-S-20W-2L-F30	20W	3000K	1,829	102	2,579	129	PR24K86C
ESL-Ti-K22-S-20W-2L-F35	20W	3500K	1,859	102	2,627	130	P8SRZD9D
ESL-Ti-K22-S-20W-2L-F40	20W	4000K	1,888	103	2,674	133	PJKSRFEY
ESL-Ti-K22-S-20W-2L-F50	20W	5000K	1,946	105	2,769	137	PGEK3UG7

Ordering Guide:

ESL	-	Ti	-	K22	-	S	-	20W	-	2L	-	F	-	
ESL		TYPE		SERIES		CLASS		WATTS		Ti		LENS		KELVIN
		Ti Series		K22 (2x2 Kit)		S		20W (20 Watts) 26W (26 Watts)		2L (Two Ti)		F (Frosted)		30 (3000 Kelvin) 35 (3500 Kelvin) 40 (4000 Kelvin) 50 (5000 Kelvin)
														OPTIONS

Alternate 2'x2' Ti Kit Options:



3L Output

4L Output

What's Included:

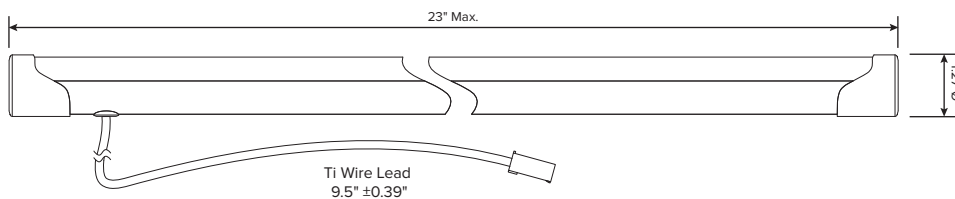
- (2) LED Ti Bars
- (1) LED Driver
- (4) Ti Clips with Rare Earth Magnets
- (8) Self Tapping Screws
- (1) UL1598C Certification Label

Options (Add as Suffix):

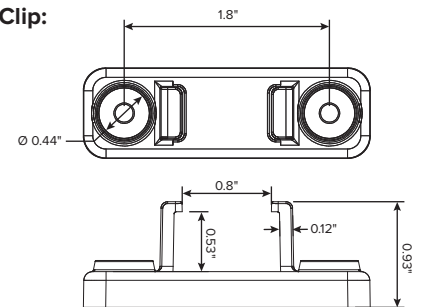
- ESL-EMG-4DC-9W (Emergency Back Up, DC, 9 Watt)

Dimensions:

Ti:



Clip:



Driver:

