

Key Features & Benefits:

- Installs in Minutes
 - Magnetic Clips
 - Hex Tek Screws
- 16 Available Kits in 1x8 Retrofit
 - 36 Available Kits in 1x4 Retrofit
 - 54 Available Kits in 2x4 Retrofit
 - 24 Available Kits in 2x2 Retrofit
- 3,810 to 9,432 Total Kit Lumens
- Long Life 80,000 Hours (L70)
 - 10 year warranty (12 hour run times)
 - 7 year warranty (24 hour run times)

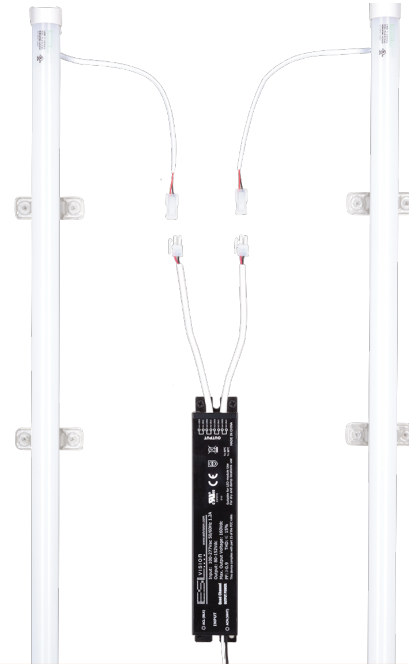


Project: _____

Date: _____

Catalog #: _____

Notes: _____



Technical Data:

Light Specifications:

Total Kit Lumens: Up to 7,864 Lumens
 Total Efficacy (lm/W): Up to 133 Lumens per Watt
 Kelvin: 3000K, 3500K, 4000K, 5000K
 Color Rendering Index (CRI): >82
 Rated Life: > 80,000 hrs

Driver Data:

Input Voltage: 120-277 VAC
 Driver Output: Dual Output
 Output Power: 60 Watts
 Input Current @ 120V: 0.5 Amps
 Input Current @ 240V: 0.25 Amps
 Input Current @ 277V: 0.217 Amps
 Total Harmonic Distortion (THD): <10%
 Operating Temperature: -4 ~ 122°F
 Dimming: 1-10v Dimmable

Catalog Data:

ITEM#	WATTS	TOTAL KIT LUMENS	TOTAL EFFICACY (lm/W)	KELVIN	DLC QPL CODE
ESL-Ti-K18-S-60W-2L-F30	60W	7,464	126	3000K	PJN2LKM6
ESL-Ti-K18-S-60W-2L-F35	60W	7,564	128	3500K	P078ZCR7
ESL-Ti-K18-S-60W-2L-F40	60W	7,664	130	4000K	P80SXOEK
ESL-Ti-K18-S-60W-2L-F50	60W	7,864	133	5000K	PYRI62AO

Ordering Guide:

ESL	Ti	K18	S	60W	2L	F	
ESL	TYPE	SERIES	CLASS	WATTS	Ti	LENS	KELVIN
	Ti Series	K18 (1x8 Kit)	S	60W (60 Watts) 72W (72 Watts)	2L (Two Ti)	F (Frosted)	30 (3000 Kelvin) 35 (3500 Kelvin) 40 (4000 Kelvin) 50 (5000 Kelvin)

Alternate 1'x8' Ti Kit Options:



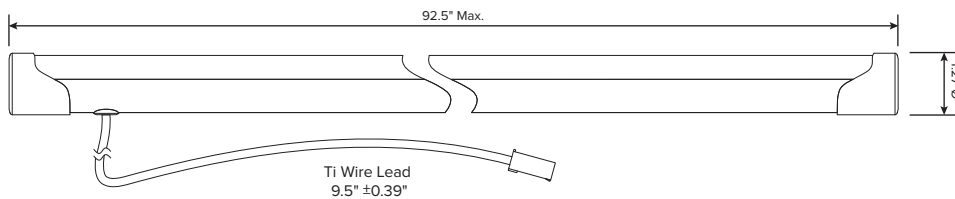
1L Output

What's Included:

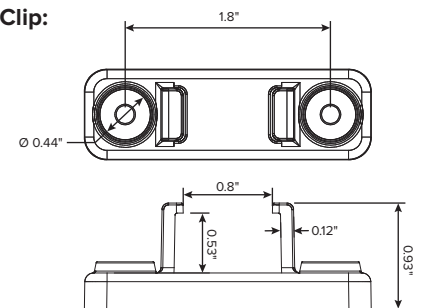
- (2) LED Ti Bars
- (1) LED Driver
- (6) Ti Clips with Rare Earth Magnets
- (12) Self Tapping Screws
- (1) UL1598C Certification Label

Dimensions:

Ti:



Clip:



Driver:

