

Key Features & Benefits:

- DLC Listed 1x4 Troffer Retrofit Kit
- Installs in Minutes
 - Magnetic Clips
 - Hex Tek Screws
- 36 Available 1x4 Retrofit Kits
 - 24 Available 2x2 Retrofit Kits
 - 54 Available 2x4 Retrofit Kits
- 1,379 to 6,300 Troffer Kit Lumens
- 1,690 to 7,140 Linear Ambient Kit Lumens
- Long Life 80,000 Hours (L70)
 - 10 year warranty (12 hour run times)
 - 7 year warranty (24 hour run times)

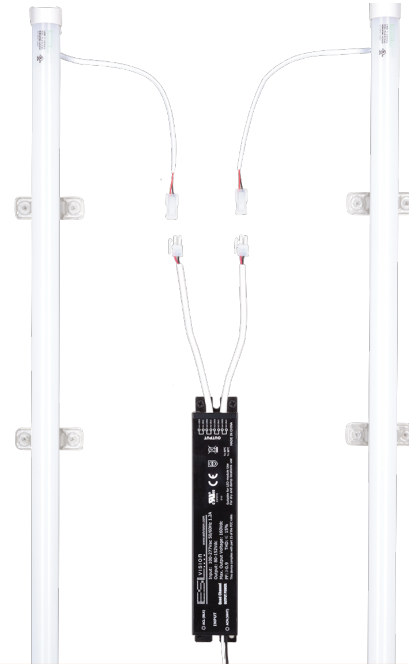


Project: _____

Date: _____

Catalog #: _____

Notes: _____



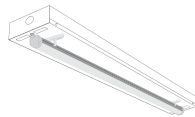
Technical Data:

Light Specifications:

- Linear Ambient Kit Lumens: Up to 4,513 Lumens
- Linear Ambient Kit Efficacy (lm/W): Up to 138 Lumens per Watt
- Troffer Kit Lumens: Up to 4,513 Lumens
- Troffer Kit Efficacy (lm/W): Up to 138 Lumens per Watt
- Kelvin: 3000K, 3500K, 4000K, 5000K
- Color Rendering Index (CRI): >82
- Rated Life: > 80,000 hrs

Driver Data:

- Input Voltage: 120-277 VAC
- Driver Output: Dual Output
- Output Power: 36 Watts
- Input Current @ 120V: 0.3 Amps
- Input Current @ 240V: 0.15 Amps
- Input Current @ 277V: 0.13 Amps
- Total Harmonic Distortion (THD): <10%
- Operating Temperature: -4 ~ 122°F



DLC QPL Application Listing:

ITEM#	TROFFER APPLICATION	DLC QPL CODE
ESL-Ti-K14-S-36W-2L-F30	Linear Retrofit Kit for 1x4 Luminaires	PIIFTCTM
ESL-Ti-K14-S-36W-2L-F35	Linear Retrofit Kit for 1x4 Luminaires	PSX4ZP79
ESL-Ti-K14-S-36W-2L-F40	Linear Retrofit Kit for 1x4 Luminaires	PF6X6JME
ESL-Ti-K14-S-36W-2L-F50	Linear Retrofit Kit for 1x4 Luminaires	PAHTBXVL

ITEM#	LINEAR AMBIENT APPLICATION	DLC QPL CODE
ESL-Ti-K14-S-36W-2L-F30	Retrofit Kit for Direct Linear Ambient Luminaires	PIIFTCTM
ESL-Ti-K14-S-36W-2L-F35	Retrofit Kit for Direct Linear Ambient Luminaires	PSX4ZP79
ESL-Ti-K14-S-36W-2L-F40	Retrofit Kit for Direct Linear Ambient Luminaires	PF6X6JME
ESL-Ti-K14-S-36W-2L-F50	Retrofit Kit for Direct Linear Ambient Luminaires	PAHTBXVL

Catalog Data:

ITEM#	WATTS	KELVIN	TROFFER KIT LUMENS	TROFFER KIT EFFICACY (lm/W)	LINEAR AMBIENT KIT LUMENS	LINEAR AMBIENT KIT EFFICACY (lm/W)
ESL-Ti-K14-S-36W-2L-F30	36W	3000K	4,444	136	4,444	136
ESL-Ti-K14-S-36W-2L-F35	36W	3500K	4,444	136	4,444	136
ESL-Ti-K14-S-36W-2L-F40	36W	4000K	4,478	137	4,478	137
ESL-Ti-K14-S-36W-2L-F50	36W	5000K	4,513	138	4,513	138

Ordering Guide:

ESL	Ti	K14	S	36W	2L	F		
ESL	TYPE	SERIES	CLASS	WATTS	Ti	LENS	KELVIN	OPTIONS
	Ti Series	K14 (1x4 Kit)	S	26W (26 Watts) 30W (30 Watts) 36W (36 Watts) 44W (44 Watts)	2L (Two Ti)	F (Frosted)	30 (3000 Kelvin) 35 (3500 Kelvin) 40 (4000 Kelvin) 50 (5000 Kelvin)	

Alternate 1'x4' Ti Kit Options:



1L Output

What's Included:

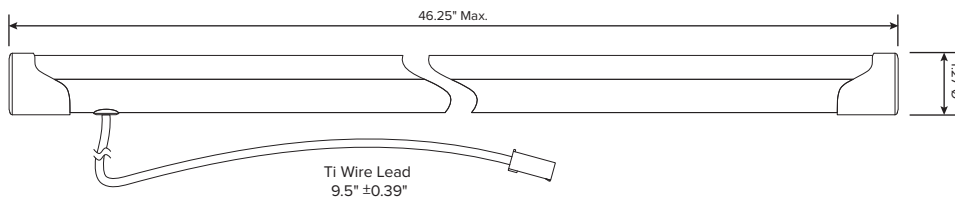
- (2) LED Ti Bars
- (1) LED Driver
- (4) Ti Clips with Rare Earth Magnets
- (8) Self Tapping Screws
- (1) UL1598C Certification Label

Options (Add as Suffix):

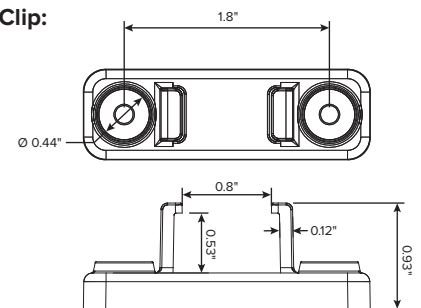
- ESL-EMG-4DC-9W (Emergency Back Up, DC, 9 Watt)

Dimensions:

Ti:



Clip:



Driver:

