

### Key Features & Benefits:

- DLC Listed 2x4 Troffer Retrofit Kit
- Installs in Minutes
  - Magnetic Clips
  - Hex Tek Screws
- 54 Available 2x4 Retrofit Kits
  - 24 Available 2x2 Retrofit Kits
  - 36 Available 1x4 Retrofit Kits
- 2,779 to 12,639 Troffer Kit Lumens
- 3,328 to 14,280 Linear Ambient Kit Lumens
- Long Life 80,000 Hours (L70)
  - 10 year warranty (12 hour run times)
  - 7 year warranty (24 hour run times)



Project: \_\_\_\_\_

Date: \_\_\_\_\_

Catalog #: \_\_\_\_\_

Notes: \_\_\_\_\_

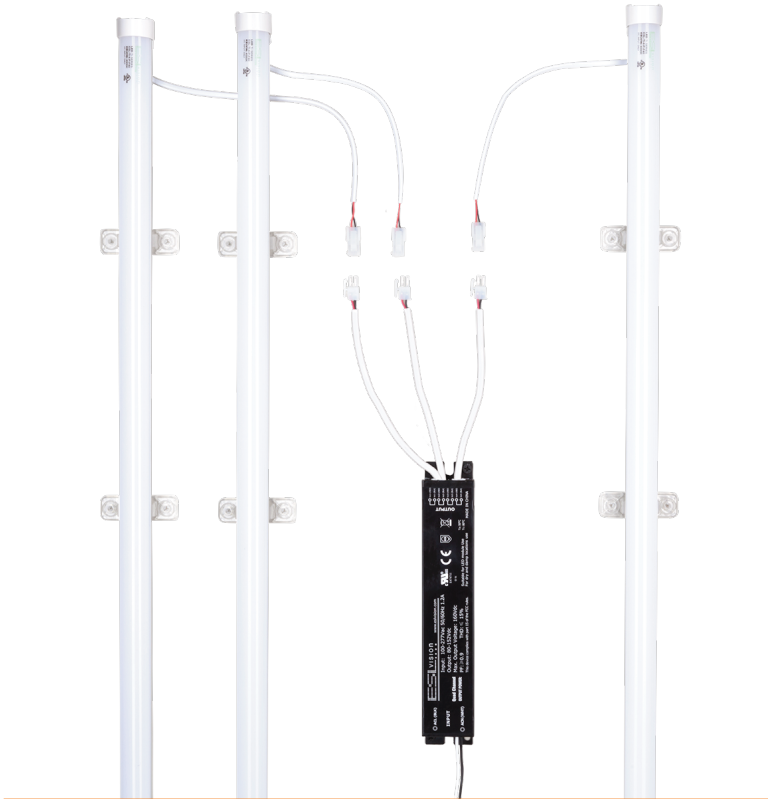
### Technical Data:

#### Light Specifications:

- Linear Ambient Kit Lumens: Up to 10,710 Lumens
- Linear Ambient Kit Efficacy (lm/W): Up to 119 Lumens per Watt
- Troffer Kit Lumens: Up to 9,366 Lumens
- Troffer Kit Efficacy (lm/W): Up to 104 Lumens per Watt
- Kelvin: 4000K, 5000K
- Color Rendering Index (CRI): >82
- Rated Life: > 80,000 hrs

#### Driver Data:

- Input Voltage: 120-277 VAC
- Driver Output: Triple Output
- Output Power: 90 Watts
- Input Current @ 120V: 0.75 Amps
- Input Current @ 240V: 0.375 Amps
- Input Current @ 277V: 0.325 Amps
- Total Harmonic Distortion (THD): <10%
- Operating Temperature: -4 ~ 122°F



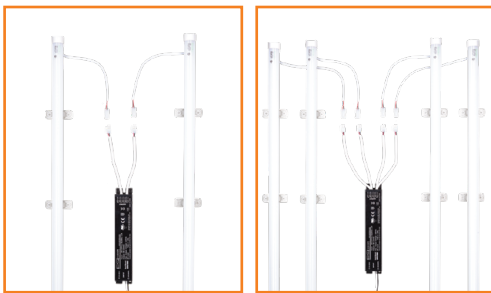
### Catalog Data:

ITEM#	WATTS	KELVIN	TROFFER KIT LUMENS	TROFFER KIT EFFICACY (lm/W)	LINEAR AMBIENT KIT LUMENS	LINEAR AMBIENT KIT EFFICACY (lm/W)	DLC QPL CODE
ESL-TiHO-K24-S-90W-3L-F40	90W	4000K	9,018	101	10,620	118	PUXF4W1G
ESL-TiHO-K24-S-90W-3L-F50	90W	5000K	9,366	104	10,710	119	PHTMT87Y

### Ordering Guide:

<b>ESL</b>	<b>TiHO</b>	<b>K24</b>	<b>S</b>	<b>90W</b>	<b>3L</b>	<b>F</b>		
ESL	TYPE	SERIES	CLASS	WATTS	Ti	LENS	KELVIN	OPTIONS
	TiHO Series	K24 (2x4 Kit)	S	90W (90 Watts)	3L (Three Ti)	F (Frosted)	40 (4000 Kelvin) 50 (5000 Kelvin)	

### Alternate 2'x4' Ti Kit Options:



2L Output

4L Output

### What's Included:

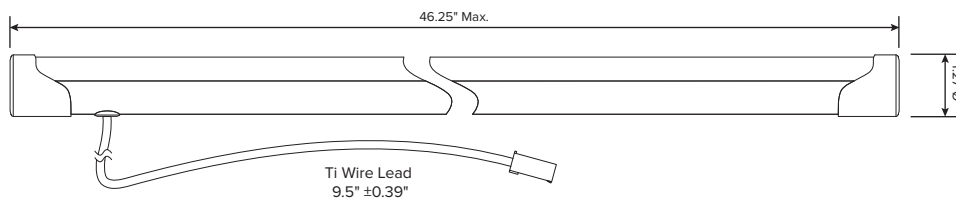
- (3) LED Ti Bars
- (1) LED Driver
- (6) Ti Clips with Rare Earth Magnets
- (12) Self Tapping Screws
- (1) UL1598C Certification Label

### Options (Add as Suffix):

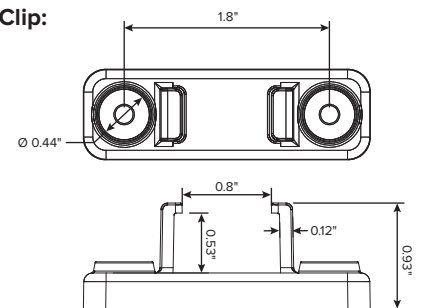
- ESL-EMG-4DC-9W (Emergency Back Up, DC, 9 Watt)

### Dimensions:

#### Ti:



#### Clip:



#### Driver:

