

Key Features & Benefits:

- Selectable CCT and Wattage
- Strong Spring Clips Secure Fixture to Drywall, Ceiling Tiles, or Mounting Plate
- Multiple Color Trim Ring Accessories
- Wet Location Rated
- Energy Star Listed
- Cast Aluminum Housing and Trim

Project: _____

Date: _____

Catalog #: _____

Notes: _____

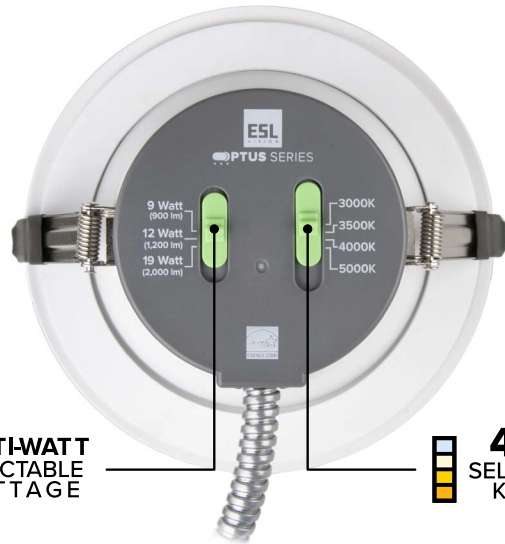


Product Specifications:

- Selectable Wattage: 9–12–19 Watts
- Selectable Kelvin: 3000K–3500K–4000K–5000K
- Lumens: 900–1,200–2,000 Lumens
- Efficacy: Up to 105 lm/W
- CRI: 90+
- Input Voltage: 110–277 VAC
- Power Factor: >0.98
- Input Frequency: 50/60Hz
- Operating Temperature: -4°F to 104°F
- Operational Lifetime: 50,000 Hrs
- Dimming: 1–10V
- Product Weight (lbs) 1.06

Dimensions:

- Fixture (ØxH): 7.36" Ø x 3.97"
- Flexible Metal Conduit (MC) Length: 24"
- Wire Leads Length: 8.25"



**MULTI-WATT
SELECTABLE
WATTAGE**

**4CCT
SELECTABLE
KELVIN**



Ordering Guide:

ESL	TYPE	SIZE	SELECTABLE WATTAGE	GENERATION	SELECTABLE KELVIN	OPTIONS
ESL	OPT (OPT) Optus Series	6 (6) Round 6"	0919W (0919W) 9–12–19 Watts	2 (2) 2nd Generation	3050K (3050K) 3000K–3500K–4000K–5000K	

FACTORY INSTALLED OPTIONS

EM8	Emergency backup battery unit, auto test function, 8-watt output, 90-minute minimum, 100–347 VAC input, 170 VDC output, closed frame with flex conduits, UL listed for factory or field install, Li-ion battery. (SL6)
-----	--

FIELD INSTALLED ACCESSORIES

ESL-EMG-SL6-CSC-8W	Emergency backup battery unit, auto test function, 8-watt output, 90-minute minimum, 100–347 VAC input, 170 VDC output, closed frame with flex conduits, UL listed for factory or field install, Li-ion battery.
ESL-OPT2-4-Tff	4" OPTUS Field Installable Trim Kit
ESL-OPT2-6-Tff	6" OPTUS Field Installable Trim Kit
ESL-OPT2-8-Tff	8" OPTUS Field Installable Trim Kit
ESL-OPT2-10-Tff	10" OPTUS Field Installable Trim Kit
ESL-OPT2-4-RING	4" to 6" Goof Ring
ESL-OPT2-6-RING	6" to 8" Goof Ring
ESL-OPT2-8-RING	8" to 10" Goof Ring
ESL-OPT2-10-RING	10" to 12" Goof Ring
ESL-RDL-4-RKIT-001	4" New Construction Downlight Rough-In plate
ESL-RDL-6-RKIT-001	6" New Construction Downlight Rough-In plate
ESL-RDL-8-RKIT-001	8" New Construction Downlight Rough-In plate

Finishes: (ff)=(MW) Field Paintable, (BK) Black, (BN) Brushed Nickel, (BZ) Bronze, (CP) Copper

AVAILABLE ACCESSORIES SOLD SEPARATELY



Trim Ring
Black



Trim Ring
Bronze



Trim Ring
Brushed
Nickel



Trim Ring
Copper



Trim Ring
Field
Paintable



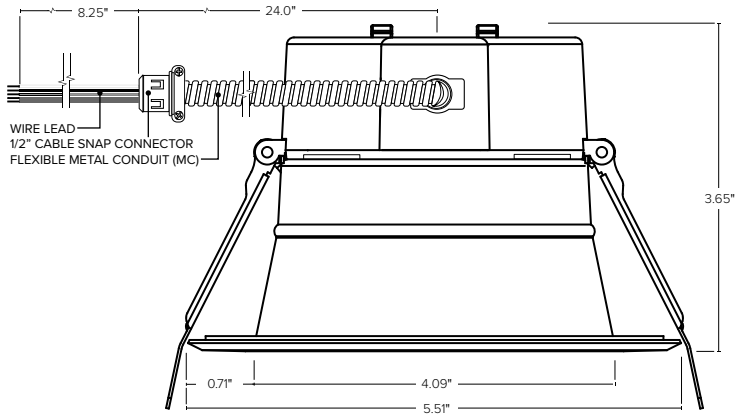
Goof Ring

Catalog Data:

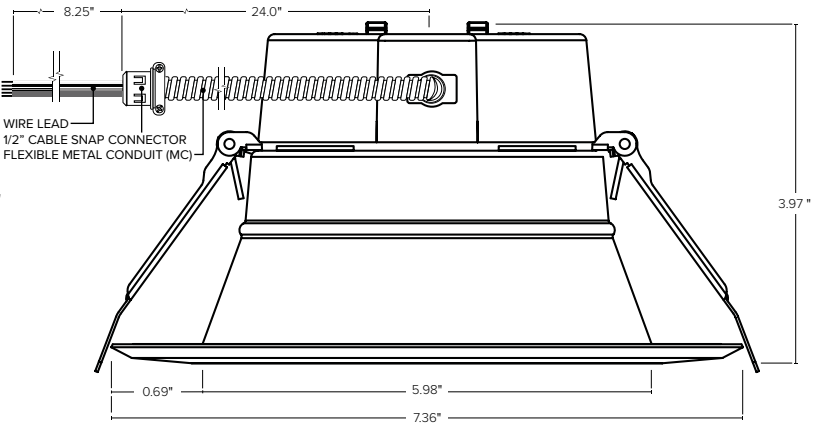
ITEM#	SELECTABLE WATTAGE	SELECTABLE KELVIN	MAX LUMEN OUTPUT	MAX EFFICACY (lm/W)	INPUT VOLTAGE	DIMENSIONS
4" ESL-OPT-4-0712W-23050K	7W–9W–12W	3000K–3500K–4000K–5000K	600–800–1,000	89	120–277 VAC	Ø5.51" x 3.65"
6" ESL-OPT-6-0919W-23050K	9W–12W–19W	3000K–3500K–4000K–5000K	900–1,200–2,000	105	120–277 VAC	Ø7.38" x 3.97"
8" ESL-OPT-8-1129W-23050K	11W–19W–29W	3000K–3500K–4000K–5000K	1,200–2,000–3,000	105	120–277 VAC	Ø9.44" x 4.35"
10" ESL-OPT-10-1836W-23050K	18W–27W–36W	3000K–3500K–4000K–5000K	2,000–3,000–4,000	111	120–277 VAC	Ø11.25" x 4.37"

Dimensions:

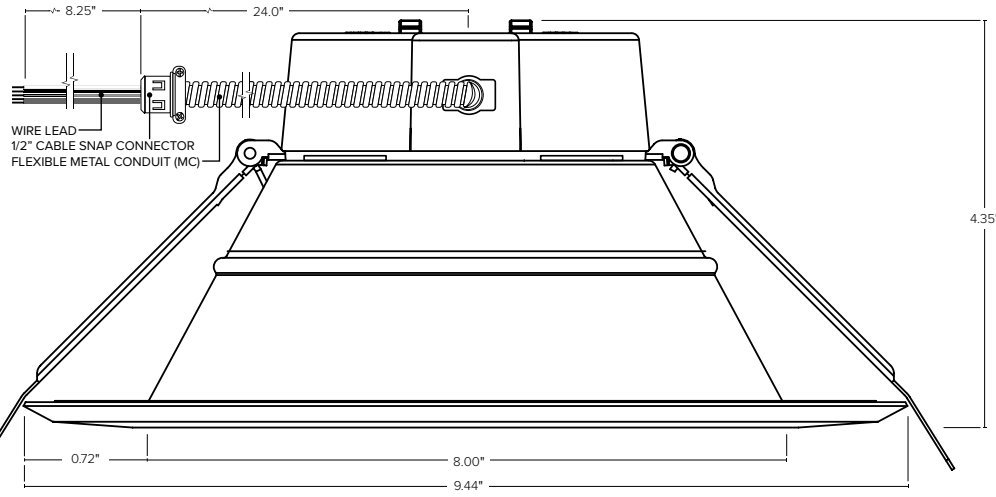
4" Fixture



6" Fixture



8" Fixture



10" Fixture

