

### Key Features & Benefits:

- Field or Factory Installation - UL 924 and CSA C22.2 No. 141 Emergency Lighting Compliant
- Meets CEC Title 20 (California Energy Commission) Requirements
- Monthly and Yearly Auto Test Function for Reduced Maintenance
- Meets or Exceeds all NEC Emergency Lighting Standards
- Slim Profile Design
- Compatible with AC Input Lamps and DC Output Drivers (See wiring diagrams for more info)
- Constant Power Output Provides 90 Minutes of Consistent Egress Lighting with no Degradation
- Lithium-Ion Battery (7-10 Year Life Expectancy with >1000 Charging Cycles)
- 2-Wire Illuminated Test Switch

Project: \_\_\_\_\_ Date: \_\_\_\_\_

Catalog #: \_\_\_\_\_

Notes: \_\_\_\_\_



### Technical Specifications:

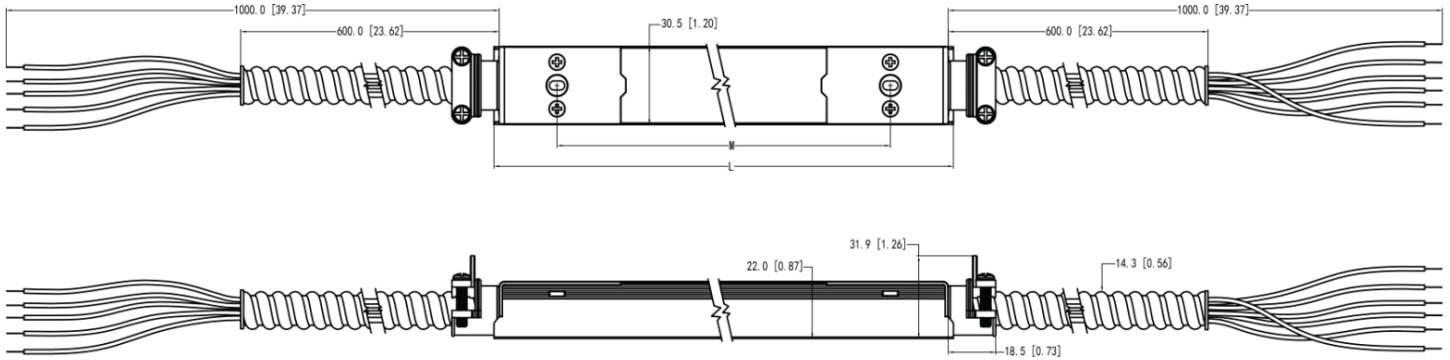
| ESL-EMG-SL1-CDC-9W |                             |                           |
|--------------------|-----------------------------|---------------------------|
| Input              | Rated Current               | 0.04A                     |
|                    | Rated Power                 | 3 Watts                   |
|                    | Rated Voltage               | 100 - 277 VAC, 50/60Hz    |
| Output             | Emergency Output Power      | 9 Watts                   |
|                    | Output Voltage              | 10 - 300VDC               |
|                    | Output Current              | 1A (Max)                  |
|                    | Output Current of AC Driver | 3A (Max)                  |
|                    | Operation Frequency         | 320kHz ≥ f ≥ 50kHz        |
| Emergency          | Emergency Operation         | ≥90 Minutes               |
|                    | Charging Time               | 24 Hours                  |
|                    | Charging Cycles             | >1000                     |
| Environment        | Operating Temperature       | 32°F - 131°F (0°C - 50°C) |
|                    | Dimensions (LxWxH)          | 10.52" x 1.18" x 0.87"    |
|                    | Weight                      | 1.76 lbs                  |

### Emergency Lumen Output:

| FIXTURE EFFICACY | OUTPUT POWER 5W | OUTPUT POWER 9W | OUTPUT POWER 18W |
|------------------|-----------------|-----------------|------------------|
| 100 lm/w         | 500 Lumens      | 900 Lumens      | 1800 Lumens      |
| 120 lm/w         | 600 Lumens      | 1080 Lumens     | 2160 Lumens      |
| 140 lm/w         | 700 Lumens      | 1260 Lumens     | 2520 Lumens      |

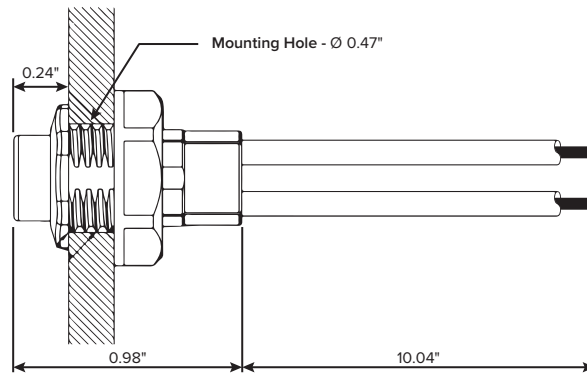
**Dimensions:**

**EMG-SL1-CDC:**



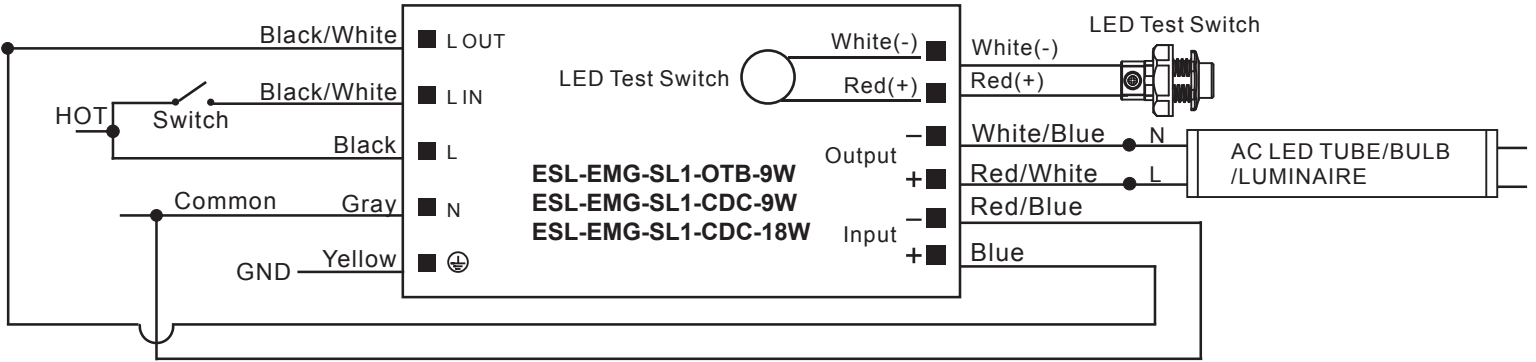
| MODEL              | L1     | M      | W     | H     |
|--------------------|--------|--------|-------|-------|
| ESL-EMG-SL1-CDC-9W | 10.52" | 10.59" | 1.18" | 0.87" |

**2-Wire Illuminated Test Switch:**



Typical Wiring Diagram:

## FOR AC LED TUBE/BULB/LUMINAIRE



## FOR DC LED LOAD

