

Key Features & Benefits:

- Smallest Form Factor in Mogul-Base Category
 - 15% smaller than our previous generations
- Integrated 4kA/4kV Surge Protection
- Step-Down Thermal Management Protection
 - Wattage step-down circuit automatically prevents overheating due to high increases in ambient temperatures. Wattage returns to normal as temperatures decrease.
- Omnidirectional
- Rated for Fully Enclosed Fixtures
- Wet Location Approved
- Special Adaptor Transforms Base from E26 to E39
- Direct Retrofit for HID & CFL Fixtures - For use in:
 - Low Bays
 - Flood Lights
 - Wall Packs
 - Post Tops
 - And More!



Project: _____

Date: _____

Catalog #: _____

Notes: _____



Technical Specifications:

Power: 18 Watts
 Lamp Lumen Output: Up to 2,160 Lumens
 Lamp Efficacy (lm/W): Up to 120 Lumens per Watt
 Fixture Lumen Output: Up to 2,184 Lumens
 Fixture Efficacy (lm/W): Up to 114 Lumens per Watt
 Kelvin: 3000K, 4000K, 5000K
 CRI: >80
 Input Voltage: 120-277 VAC
 Life Span: 50,000 Hours
 Beam Angle: 300°
 Base Types:
 - S-M (E26 with E39 adaptor)
 - EX39
 Operating Temperature: -4 ~ 149°F (-20 ~ 65°C)
 Power Factor: >0.95
 Total Harmonic Distortion (THD): < 20%



No Fans



No Noise



No Bugs

| ITEM# | WATTS | LAMP LUMEN OUTPUT | LAMP EFFICACY (lm/W) | FIXTURE LUMEN OUTPUT | FIXTURE EFFICACY (lm/W) | KELVIN |
|-------------------|-------|-------------------|----------------------|----------------------|-------------------------|--------|
| ESL-CL-18W-430S-M | 18W | 2,106 | 117 | 2,033 | 108 | 3000K |
| ESL-CL-18W-440S-M | 18W | 2,124 | 118 | 2,108 | 111 | 4000K |
| ESL-CL-18W-450S-M | 18W | 2,160 | 120 | 2,184 | 114 | 5000K |

| ITEM# | WATTS | LAMP LUMEN OUTPUT | LAMP EFFICACY (lm/W) | FIXTURE LUMEN OUTPUT | FIXTURE EFFICACY (lm/W) | KELVIN |
|--------------------|-------|-------------------|----------------------|----------------------|-------------------------|--------|
| ESL-CL-18W-430EX39 | 18W | 2,106 | 117 | 2,033 | 108 | 3000K |
| ESL-CL-18W-440EX39 | 18W | 2,124 | 118 | 2,108 | 111 | 4000K |
| ESL-CL-18W-450EX39 | 18W | 2,160 | 120 | 2,184 | 114 | 5000K |

Ordering Guide:

Example Part Number: **ESL-CL-18W-430EX39**

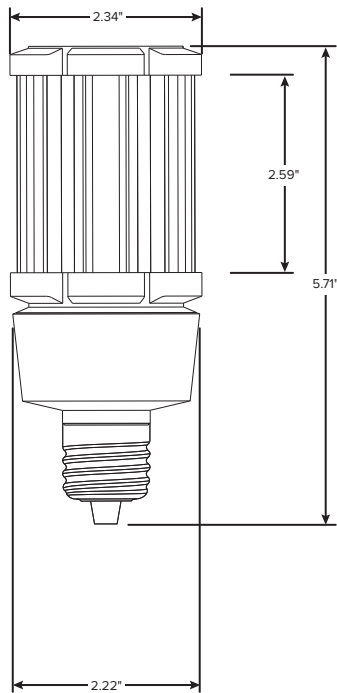
| | | | | | | | | | | |
|------------|---|-----------|---|----------------|---|--------------------|---|--|---|------------------------------|
| ESL | - | CL | - | 18W | - | 4 | - | | - | |
| ESL | | TYPE | | WATTS | | GENERATION | | KELVIN | | BASE |
| | | CL | | 18W (18 Watts) | | 4 (4th Generation) | | 30 (3000K) 40 (4000K) 50 (5000K) | | S-M (E26/E39) EX39 (EX39) |

Options (Add as Suffix):

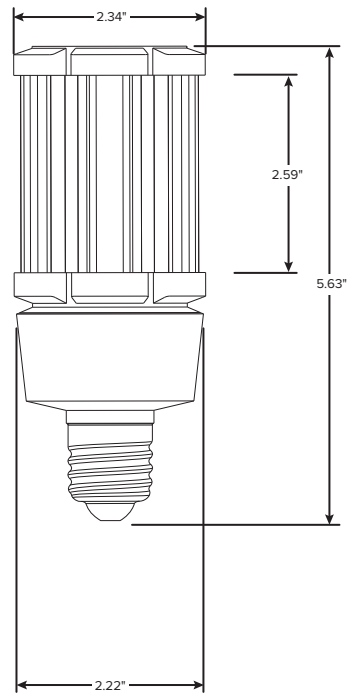
ESL-SP-277-1

Hard Wire Surge Protector; (100-277 VAC) Max Discharge Current: 20kA

Dimensions:



EX39 BASE



EX26 BASE