

Performance Overview:

Wattage: 150
 Lumen Output: Up to 22,421 Lumens
 Efficacy (lm/W): Up to 153 Lumens per Watt
 Kelvin: 3000K, 4000K, 5000K
 CRI: >80



Project: _____ Date: _____
 Catalog #: _____
 Notes: _____



Key Features & Benefits:

- Rotatable Lens
- Innovative Mounting Hardware Allows for Single Person Installation
- Multiple Stocked Finish Options (White, Bronze, Black, Grey)
- Multiple Stocked Kelvins (3000K, 4000K, 5000K)
- Tool-less Entry to Easily Access Fixture Components



Ordering Guide:

ESL	AL	150W	2							
ESL	TYPE	WATTS	GENERATION	KELVIN	VOLTAGE	FINISH*	MOUNT	LENS	OPTIONS	CONTROLS
	AL (Area Light)	150W	2 (2nd Gen)	30 (3000 Kelvin) 40 (4000 Kelvin) 50 (5000 Kelvin)	Blank (120-277 VAC) HV (247-480 VAC)	BZ (Bronze) BK (Black) GR (Grey) WH (White)	FDM (Fixed Direct Mount) FRDM4 (Fixed Round Direct Mount 4") FRDM5 (Fixed Round Direct Mount 5") DM (Direct Mount) RDM4 (Round Direct Mount 4") RDM5 (Round Direct Mount 5") SF (Slip Fitter) YM (Yoke Mount)	T3 (Type 3) T3R (Type 3 Right) T3L (Type 3 Left) T4 (Type 4 Standard) T4R (Type 4 Right) T4L (Type 4 Left) T5 (Type 5)	Blank (none) BS (Bird Spikes)	

*Contact Factory for custom finish options

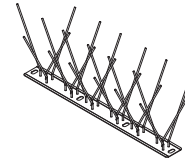
Controls
OCC (Occupancy)
PC (Photocell)

For occupancy, photocell and receptacle information please see page 3

Accessories Ordering Guide:

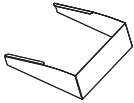
ESL	AL2			
ESL	TYPE	SHIELD TYPE	SIZE	FINISH
	AL2	FSS (Front Street Side Shield) FBS (Full Body Shield) HSS (House Side Shield)	S (75-150W) L (200-320W)	BZ (Bronze) BK (Black) GR (Grey) WH (White)

Options (Order Separately)
ESL-AL2-BS (Area Light Bird Spikes)
ESL-REM-100 (Remote to Control 80CC)



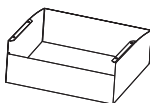
Bird Spikes
(ESL-AL2-BS)

Remote
(ESL-REM-100)



Front Street Side Shield*

*See page 10 for dimensions

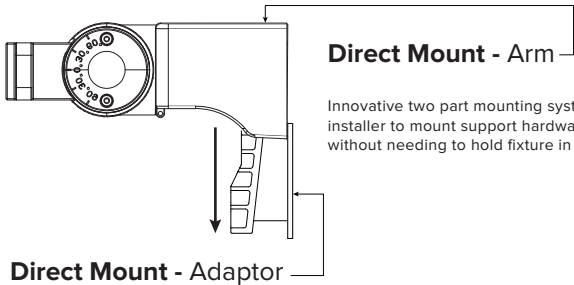


Full Body Shield*



House Side Shield*

Mount Options:

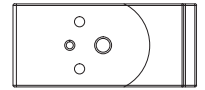
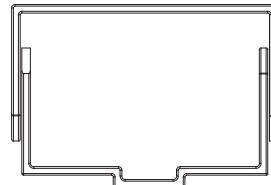


Direct Mount - Arm

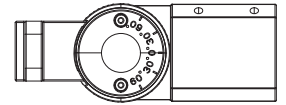
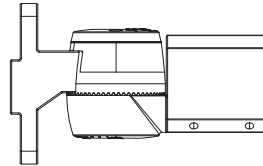
Innovative two part mounting system allows installer to mount support hardware to pole without needing to hold fixture in hand.

Direct Mount - Adaptor

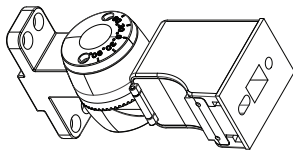
Yoke Mount



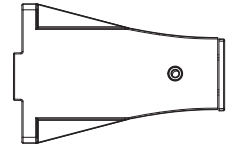
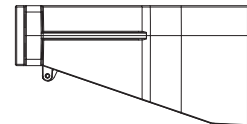
Slip Fitter



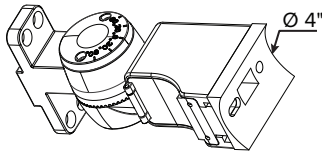
Direct Mount - Square



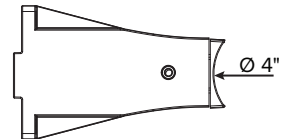
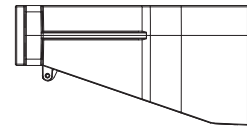
Fixed Direct Mount - Square



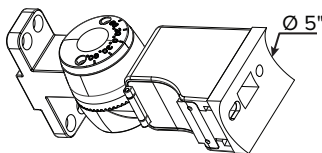
Round Direct Mount - 4"



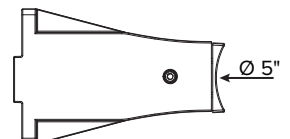
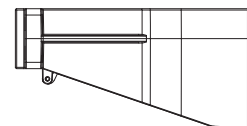
Fixed Round Direct Mount - 4"

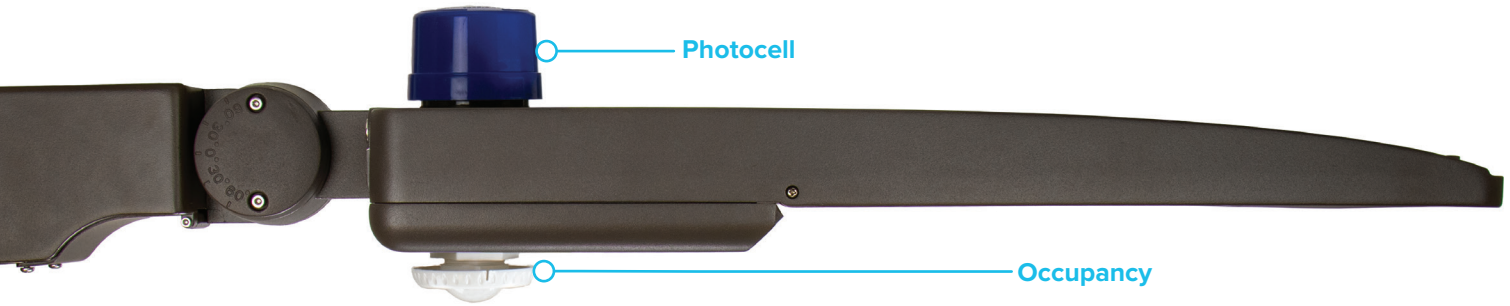


Round Direct Mount - 5"



Fixed Round Direct Mount - 5"





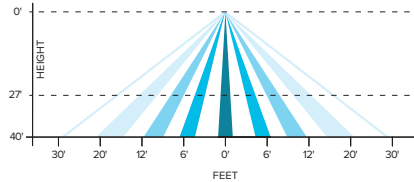
Occupancy Options:



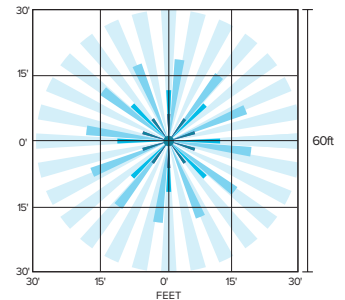
DIP SWITCH PROGRAMMING:						STANDY-BY								
1	2	%	3	4	⊕	5	6	lux	7	8	%	9	10	⊕
OFF	OFF	20%	OFF	OFF	10s	OFF	OFF	*	OFF	OFF	0%	OFF	OFF	+∞
OFF	ON	50%	OFF	ON	10min	OFF	ON	10lux	OFF	ON	10%	OFF	ON	1min
ON	OFF	75%	ON	OFF	30min	ON	OFF	30lux	ON	OFF	30%	ON	OFF	30min
ON	ON	100%	ON	ON	60min	ON	ON	50lux	ON	ON	50%	ON	ON	60min

ESL-8OCC-ODD-LV*

- Power Supply: 6-24 VDC
- Sensor Type: Passive Infrared
- Sensitivity Adjustment: 20% / 50% / 75% / 100%
- Dimming Control Output: 0-10V Max. 25mA sinking current
- Detection Radius/angle: 30ft@40ft Height/360°
- Detection Area (square footage): 2826ft²@40ft Height/360°
- Mounting Height: 40ft Max
- Remote Range: 50ft
- Humidity: Max 95% RH
- Temperature: -40°F ~ 167°F (-40°C ~ 75°C)



Side View Coverage



Top View Coverage

*Not applicable for outdoor photocell applications

Photocell Receptacle Options:

The Nova Series offers a 7-Pin receptacle.



ESL-RPC7

7-Pin receptacles offer on/off control, network control integration, and adds an extra set of controls to “future proof” your Area Light purchase.

Photocell Options:



ESL-PCOF

ESL-PCOF is a standard Dusk to Dawn (on/off) photocell that works from 120 -277 VAC.



ESL-PCOFHV

ESL-PCOFHV is a standard Dusk to Dawn (on/off) photocell that works from 347-530 VAC.

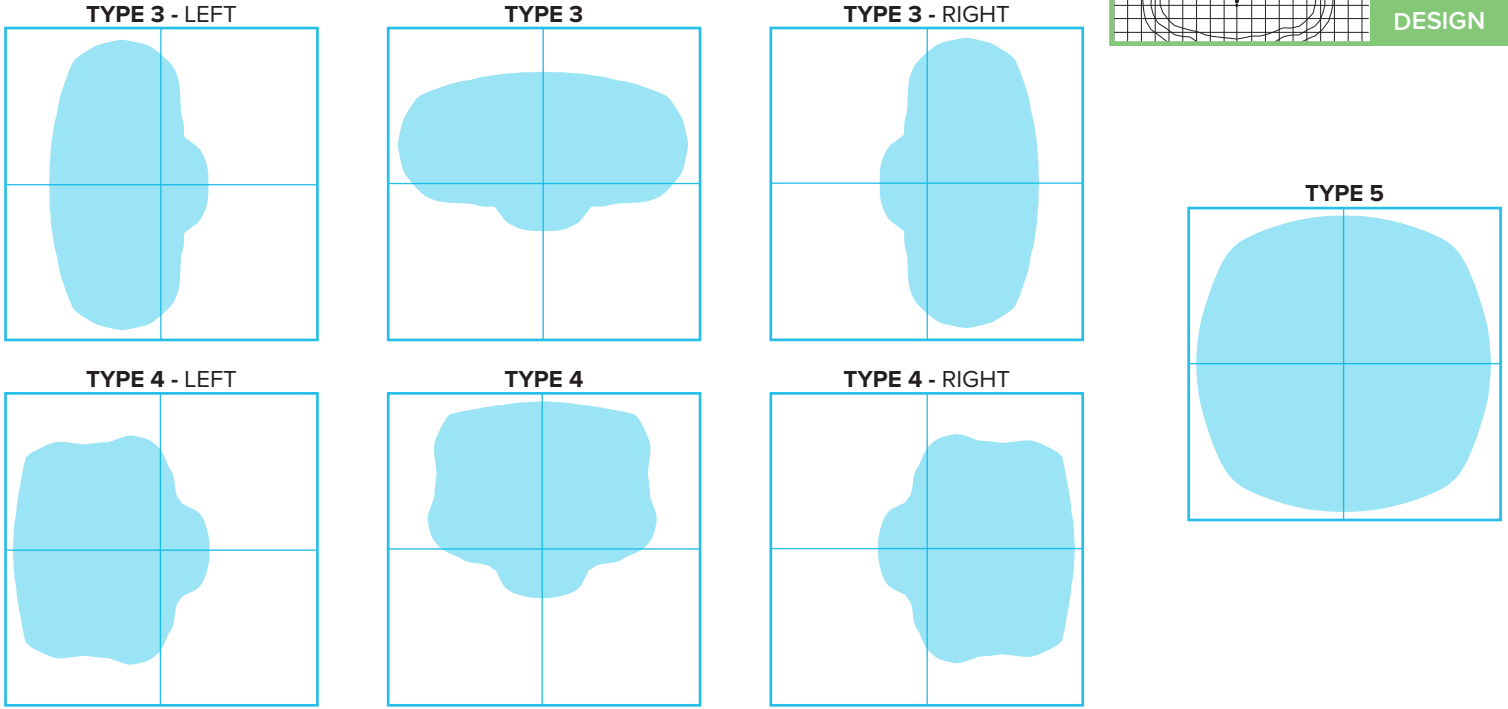
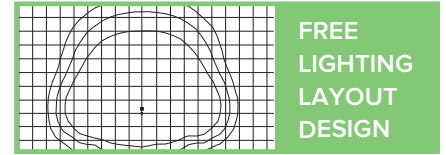


ESL-PCSC

A shorting cap for those projects where you have the flexibility to decide in the future how to control the ESL Vision Area Light.

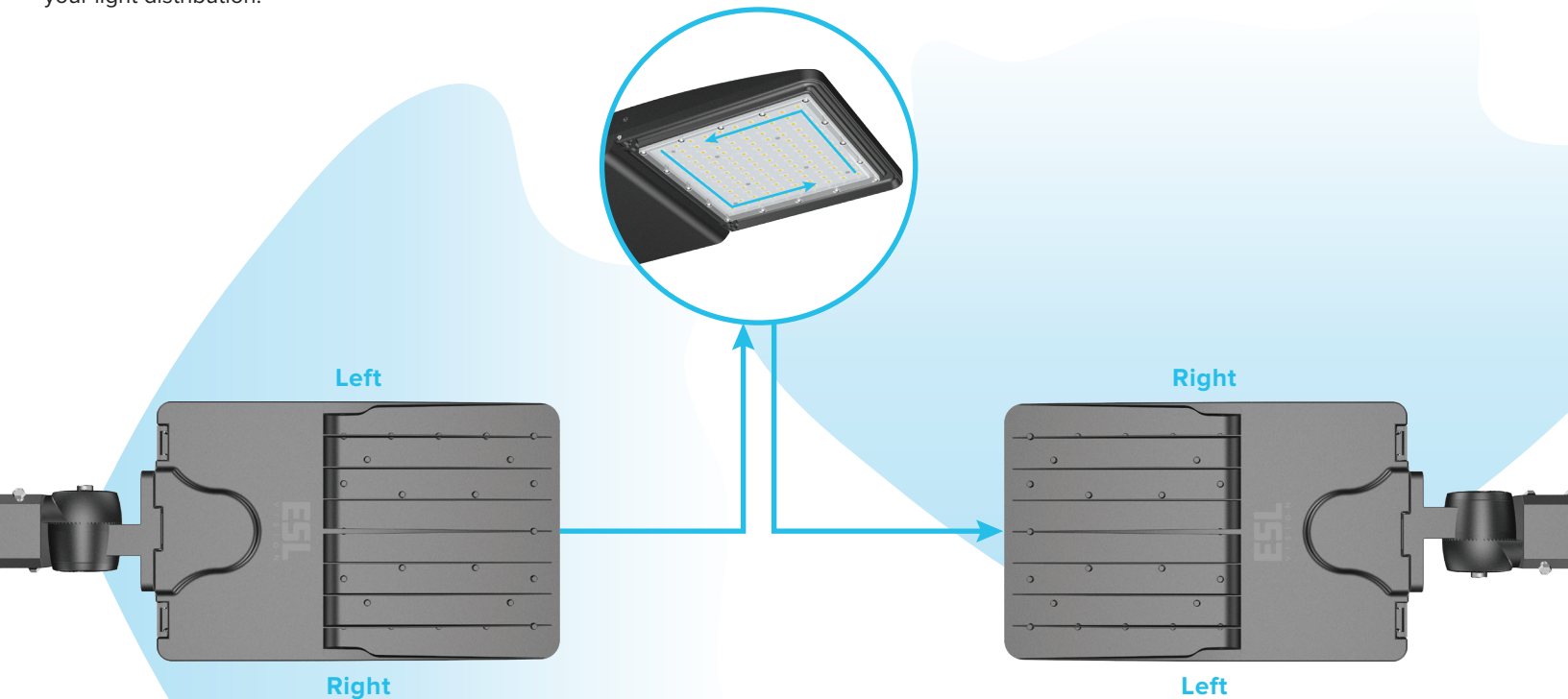
Distribution Options:

ESL Vision's lighting design engineers can help create custom lighting layouts for your jobs free of charge.



Rotateable Lens:

The Nova Series gives you even more flexibility with light distribution. By rotating the lens 90° one way or the other, you can easily customize your light distribution.



Catalog Data:

ESL	TYPE	WATTAGE	GENERATION	KELVIN									INPUT* VOLTAGE	FINISH*	MOUNT*	LENS
				3000K (30)			4000K (40)			5000K (50)						
				LUMENS	LPW	DLC QPL	LUMENS	LPW	DLC QPL	LUMENS	LPW	DLC QPL				
ESL-AL-75W-2				10,152	134	PY0Q8CK4	10,700	141	PB5EXJ4J	11,251	148	P0R05AFO	(BLANK)	(XX)	(YY)	T3 (Type 3)
				10,152	134	PY0Q8CK4	10,700	141	PB5EXJ4J	11,251	148	P0R05AFO	(HV)	(XX)	(YY)	T3 (Type 3)
				10,103	133	PKD93Y8T	10,648	140	PVH4SROW	11,196	148	PUN2VQJ1	(BLANK)	(XX)	(YY)	T3L (Type 3 Left)
				10,103	133	PKD93Y8T	10,648	140	PVH4SROW	11,196	148	PUN2VQJ1	(HV)	(XX)	(YY)	T3L (Type 3 Left)
				10,140	134	PHVVRKJC	10,687	141	PC99TPMX	11,237	148	PISVQFTD	(BLANK)	(XX)	(YY)	T3R (Type 3 Right)
				10,140	134	PHVVRKJC	10,687	141	PC99TPMX	11,237	148	PISVQFTD	(HV)	(XX)	(YY)	T3R (Type 3 Right)
				10,091	133	P3KWW4NY	10,635	140	PLYPBYC	11,183	148	PQX675K9	(BLANK)	(XX)	(YY)	T4 (Type 4)
				10,091	133	P3KWW4NY	10,635	140	PLYPBYC	11,183	148	PQX675K9	(HV)	(XX)	(YY)	T4 (Type 4)
				10,061	133	PJFCRF30	10,568	140	P7DIGI06	11,074	147	P4YGJFQ6	(BLANK)	(XX)	(YY)	T4L (Type 4 Left)
				10,061	133	PJFCRF30	10,568	140	P7DIGI06	11,074	147	P4YGJFQ6	(HV)	(XX)	(YY)	T4L (Type 4 Left)
				10,057	133	P63SHL3J	10,599	140	PEOHG700	11,145	147	PYLZG11R	(BLANK)	(XX)	(YY)	T4R (Type 4 Right)
				10,057	133	P63SHL3J	10,599	140	PEOHG700	11,145	147	PYLZG11R	(HV)	(XX)	(YY)	T4R (Type 4 Right)
				10,870	143	P2BP8GRN	11,456	151	PRG2H3PG	12,046	159	PCA1PQS1	(BLANK)	(XX)	(YY)	T5 (Type 5)
				10,870	143	P2BP8GRN	11,456	151	PRG2H3PG	12,046	159	PCA1PQS1	(HV)	(XX)	(YY)	T5 (Type 5)

ESL-AL-110W-2				14,738	133	P78ZOUK7	15,533	140	PWUCP4DD	16,333	147	PY9M5722	(BLANK)	(XX)	(YY)	T3 (Type 3)
				14,738	133	P78ZOUK7	15,533	140	PWUCP4DD	16,333	147	PY9M5722	(HV)	(XX)	(YY)	T3 (Type 3)
				14,667	132	P1Z18XCU	15,457	139	PW8IZCQ3	16,254	147	POLGDL1A	(BLANK)	(XX)	(YY)	T3L (Type 3 Left)
				14,667	132	P1Z18XCU	15,457	139	PW8IZCQ3	16,254	147	POLGDL1A	(HV)	(XX)	(YY)	T3L (Type 3 Left)
				14,721	133	PL5L561L	15,514	140	PBACTAJU	16,314	147	P8GGLPOL	(BLANK)	(XX)	(YY)	T3R (Type 3 Right)
				14,721	133	PL5L561L	15,514	140	PBACTAJU	16,314	147	P8GGLPOL	(HV)	(XX)	(YY)	T3R (Type 3 Right)
				14,649	132	P9OOC8ZR	15,439	139	P3A7MZBT	16,234	146	P24V1EAX	(BLANK)	(XX)	(YY)	T4 (Type 4)
				14,649	132	P9OOC8ZR	15,439	139	P3A7MZBT	16,234	146	P24V1EAX	(HV)	(XX)	(YY)	T4 (Type 4)
				14,605	132	PN1Q3XBG	15,393	139	PY1QR675	16,186	146	P9ITGEPH	(BLANK)	(XX)	(YY)	T4L (Type 4 Left)
				14,605	132	PN1Q3XBG	15,393	139	PY1QR675	16,186	146	P9ITGEPH	(HV)	(XX)	(YY)	T4L (Type 4 Left)
				14,600	132	P8FILYTG	15,387	139	PS2XEXUT	16,179	146	PBRFPQ0J	(BLANK)	(XX)	(YY)	T4R (Type 4 Right)
				14,600	132	P8FILYTG	15,387	139	PS2XEXUT	16,179	146	PBRFPQ0J	(HV)	(XX)	(YY)	T4R (Type 4 Right)
				15,780	142	PD6ZM8X8	16,630	150	PVF3MXF9	17,487	158	PQD8RS1K	(BLANK)	(XX)	(YY)	T5 (Type 5)
				15,780	142	PD6ZM8X8	16,630	150	PVF3MXF9	17,487	158	PQD8RS1K	(HV)	(XX)	(YY)	T5 (Type 5)

ESL-AL-150W-2				18,897	129	P8LE7VNV	19,916	136	PZMIQ9XL	20,942	143	PRCK0UKI	(BLANK)	(XX)	(YY)	T3 (Type 3)
				18,897	129	P8LE7VNV	19,916	136	PZMIQ9XL	20,942	143	PRCK0UKI	(HV)	(XX)	(YY)	T3 (Type 3)
				18,805	128	PF6F4IQD	19,819	135	P8U7Y3YY	20,840	142	P3SJS921	(BLANK)	(XX)	(YY)	T3L (Type 3 Left)
				18,805	128	PF6F4IQD	19,819	135	P8U7Y3YY	20,840	142	P3SJS921	(HV)	(XX)	(YY)	T3L (Type 3 Left)
				18,875	129	P9GVQ70G	19,892	136	PY8T14BE	20,917	143	P0J3S6P8	(BLANK)	(XX)	(YY)	T3R (Type 3 Right)
				18,875	129	P9GVQ70G	19,892	136	PY8T14BE	20,917	143	P0J3S6P8	(HV)	(XX)	(YY)	T3R (Type 3 Right)
				18,783	128	P9PSMJ08	19,795	135	PTG4J4FR	20,815	142	PW1Z58YS	(BLANK)	(XX)	(YY)	T4 (Type 4)
				18,783	128	P9PSMJ08	19,795	135	PTG4J4FR	20,815	142	PW1Z58YS	(HV)	(XX)	(YY)	T4 (Type 4)
				18,726	128	PRFECLUD	19,736	135	P5UL3JE4	20,753	142	P1MTSF8X	(BLANK)	(XX)	(YY)	T4L (Type 4 Left)
				18,726	128	PRFECLUD	19,736	135	P5UL3JE4	20,753	142	P1MTSF8X	(HV)	(XX)	(YY)	T4L (Type 4 Left)
				18,719	128	P4I68SMU	19,728	135	PQZ0MVOL	20,745	142	PE3IK12S	(BLANK)	(XX)	(YY)	T4R (Type 4 Right)
				18,719	128	P4I68SMU	19,728	135	PQZ0MVOL	20,745	142	PE3IK12S	(HV)	(XX)	(YY)	T4R (Type 4 Right)
				20,232	138	POBMS4P0	21,323	145	PNYC4TX9	22,421	153	POI9FZU8	(BLANK)	(XX)	(YY)	T5 (Type 5)
				20,232	138	POBMS4P0	21,323	145	PNYC4TX9	22,421	153	POI9FZU8	(HV)	(XX)	(YY)	T5 (Type 5)

* Input Voltage: (Blank) = 120-277 VAC, (HV) = 247-480 VAC | Finish (XX): BZ = Bronze, BK = Black, GR = Grey, WH = White
 Mount (YY): DM = Direct Mount, RDM4 = Round Direct Mount 4", RDM5 = Round Direct Mount 5", SF = Slip Fitter, YK = Yoke Mount

Catalog Data:

ESL	TYPE	WATTAGE	GENERATION	KELVIN									INPUT* VOLTAGE	FINISH*	MOUNT*	LENS
				3000K (30)			4000K (40)			5000K (50)						
				LUMENS	LPW	DLC QPL	LUMENS	LPW	DLC QPL	LUMENS	LPW	DLC QPL				
ESL-AL-200W-2				27,570	141	PKJN4U4	29,056	148	PBPHKQWB	30,553	156	PQIRPF10	(BLANK)	(XX)	(YY)	T3 (Type 3)
				27,570	141	PKJN4U4	29,056	148	PBPHKQWB	30,553	156	PQIRPF10	(HV)	(XX)	(YY)	T3 (Type 3)
				27,436	140	PAW369YD	28,915	148	P4EMWYZI	30,405	155	P9IW684	(BLANK)	(XX)	(YY)	T3L (Type 3 Left)
				27,436	140	PAW369YD	28,915	148	P4EMWYZI	30,405	155	P9IW684	(HV)	(XX)	(YY)	T3L (Type 3 Left)
				27,538	141	PFRVNKKB	29,022	148	P2IC05TS	30,517	156	PMWUIH5E	(BLANK)	(XX)	(YY)	T3R (Type 3 Right)
				27,538	141	PFRVNKKB	29,022	148	P2IC05TS	30,517	156	PMWUIH5E	(HV)	(XX)	(YY)	T3R (Type 3 Right)
				27,404	140	PJOW075	28,881	148	P6X92JF7	30,369	155	PPL3RMEI	(BLANK)	(XX)	(YY)	T4 (Type 4)
				27,404	140	PJOW075	28,881	148	P6X92JF7	30,369	155	PPL3RMEI	(HV)	(XX)	(YY)	T4 (Type 4)
				27,321	140	PGD7YYSF	28,794	147	P5VZEWY8	30,278	155	P6ML174P	(BLANK)	(XX)	(YY)	T4L (Type 4 Left)
				27,321	140	PGD7YYSF	28,794	147	P5VZEWY8	30,278	155	P6ML174P	(HV)	(XX)	(YY)	T4L (Type 4 Left)
				27,311	140	P56TRKQF	28,783	147	PJ64ODDC	30,266	155	P3B1VMDT	(BLANK)	(XX)	(YY)	T4R (Type 4 Right)
				27,311	140	P56TRKQF	28,783	147	PJ64ODDC	30,266	155	P3B1VMDT	(HV)	(XX)	(YY)	T4R (Type 4 Right)
				29,518	151	PZKM4S5R	31,109	159	PE91X57J	32,712	167	P4SRQ22M	(BLANK)	(XX)	(YY)	T5 (Type 5)
				29,518	151	PZKM4S5R	31,109	159	PE91X57J	32,712	167	P4SRQ22M	(HV)	(XX)	(YY)	T5 (Type 5)

ESL-AL-250W-2				35,532	135	PQNDL5PY	37,447	143	PKMMF2XJ	39,377	150	PYYDTKSQ	(BLANK)	(XX)	(YY)	T3 (Type 3)
				35,532	135	PQNDL5PY	37,447	143	PKMMF2XJ	39,377	150	PYYDTKSQ	(HV)	(XX)	(YY)	T3 (Type 3)
				35,360	135	PCGMSDW1	37,266	142	PFUHEIUQ	39,186	149	PWF0R5TZ	(BLANK)	(XX)	(YY)	T3L (Type 3 Left)
				35,360	135	PCGMSDW1	37,266	142	PFUHEIUQ	39,186	149	PWF0R5TZ	(HV)	(XX)	(YY)	T3L (Type 3 Left)
				35,490	135	PVOC10TG	37,403	142	PUQP9MYP	39,330	150	PJD98LDT	(BLANK)	(XX)	(YY)	T3R (Type 3 Right)
				35,490	135	PVOC10TG	37,403	142	PUQP9MYP	39,330	150	PJD98LDT	(HV)	(XX)	(YY)	T3R (Type 3 Right)
				35,317	135	POZKZIF6	37,221	142	PFL0AJBA	39,139	149	PT3RU9LL	(BLANK)	(XX)	(YY)	T4 (Type 4)
				35,317	135	POZKZIF6	37,221	142	PFL0AJBA	39,139	149	PT3RU9LL	(HV)	(XX)	(YY)	T4 (Type 4)
				35,213	134	PEEPAE6G	37,110	141	PVBBX1ZF	39,022	149	PLEU2T1A	(BLANK)	(XX)	(YY)	T4L (Type 4 Left)
				35,213	134	PEEPAE6G	37,110	141	PVBBX1ZF	39,022	149	PLEU2T1A	(HV)	(XX)	(YY)	T4L (Type 4 Left)
				35,198	134	PB8C5EMW	37,095	141	P33OJB6P	39,006	149	P4GFQ0PE	(BLANK)	(XX)	(YY)	T4R (Type 4 Right)
				35,198	134	PB8C5EMW	37,095	141	P33OJB6P	39,006	149	P4GFQ0PE	(HV)	(XX)	(YY)	T4R (Type 4 Right)
				38,043	145	P9GGL1OE	40,093	153	PQ38NNEU	42,159	161	PPOOCJOX	(BLANK)	(XX)	(YY)	T5 (Type 5)
				38,043	145	P9GGL1OE	40,093	153	PQ38NNEU	42,159	161	PPOOCJOX	(HV)	(XX)	(YY)	T5 (Type 5)

ESL-AL-320W-2				40,997	131	PFBENYDW	43,207	138	P65CQJME	45,433	145	PPQY81MV	(BLANK)	(XX)	(YY)	T3 (Type 3)
				40,997	131	PFBENYDW	43,207	138	P65CQJME	45,433	145	PPQY81MV	(HV)	(XX)	(YY)	T3 (Type 3)
				40,798	130	P5OLMZ51	42,997	137	P3FL0DP9	45,212	144	PSCX0PAS	(BLANK)	(XX)	(YY)	T3L (Type 3 Left)
				40,798	130	P5OLMZ51	42,997	137	P3FL0DP9	45,212	144	PSCX0PAS	(HV)	(XX)	(YY)	T3L (Type 3 Left)
				40,948	131	PKSKYHX3	43,155	138	PS8QRWHO	45,379	145	PF01MYWG	(BLANK)	(XX)	(YY)	T3R (Type 3 Right)
				40,948	131	PKSKYHX3	43,155	138	PS8QRWHO	45,379	145	PF01MYWG	(HV)	(XX)	(YY)	T3R (Type 3 Right)
				40,749	130	P8L1YK6K	42,946	137	POJ05LK0	45,158	144	P7WFGSLW	(BLANK)	(XX)	(YY)	T4 (Type 4)
				40,749	130	P8L1YK6K	42,946	137	POJ05LK0	45,158	144	P7WFGSLW	(HV)	(XX)	(YY)	T4 (Type 4)
				41,255	124	PCHRR3JM	42,817	136	PJ0PBWKX	45,023	144	PCQSV6K1	(BLANK)	(XX)	(YY)	T4L (Type 4 Left)
				41,255	124	PCHRR3JM	42,817	136	PJ0PBWKX	45,023	144	PCQSV6K1	(HV)	(XX)	(YY)	T4L (Type 4 Left)
				40,611	129	PX44BVVI	42,800	136	PQ87FHQR	45,005	143	P238F3BB	(BLANK)	(XX)	(YY)	T4R (Type 4 Right)
				40,611	129	PX44BVVI	42,800	136	PQ87FHQR	45,005	143	P238F3BB	(HV)	(XX)	(YY)	T4R (Type 4 Right)
				43,894	140	PSEJ9OW7	46,260	147	PYDSKZA4	48,643	155	PJVFKB6N	(BLANK)	(XX)	(YY)	T5 (Type 5)
				43,894	140	PSEJ9OW7	46,260	147	PYDSKZA4	48,643	155	PJVFKB6N	(HV)	(XX)	(YY)	T5 (Type 5)

* Input Voltage: (Blank) = 120-277 VAC, (HV) = 247-480 VAC | Finish (XX): BZ = Bronze, BK = Black, GR = Grey, WH = White
 Mount (YY): DM = Direct Mount, RDM4 = Round Direct Mount 4", RDM5 = Round Direct Mount 5", SF = Slip Fitter, YK = Yoke Mount

Construction:

- Rugged Anodized Aluminum Housing
- High Performance Heat Sink
- Weathertight Tool-less Entry Access
- Stainless Steel Hardware

Electrical:

- Input Voltage Options: 120-277 VAC, 277-480 VAC
- Operating Temperature: -40°F to 140°F (-40°C to 60°C)
- Life: L70 Lifetime >100,000 hours, L90 Lifetime >48,000 Hours -TM-21, @77F
- Dimming: 1-10V Dimmable
- 12V Auxiliary

Optical:

- Optical Grade Polycarbonate Lens with UV Protection
- Rotatable Lens
- Prismatic Molded Lens for Optimal Uniformity
- Impact Resistant Lens
- Distribution Options:
 - Type IV, Type IV right (T4R), Type IV left (T4L)
 - Type III, Type III right (T3R), Type III left (T3L)
 - Type V

Lumen Ambient Temperature (LAT) Multipliers:

AMBIENT		LUMEN MULTIPLIER
0 °C	32°F	1.02
10 °C	50°F	1.01
20 °C	68°F	1.0
25 °C	77°F	1.0
30 °C	86°F	1.0
40 °C	104°F	0.99

Driver Summary:

SYSTEM WATTS	OUTPUT CURRENT
75	1500 mA
110	2200 mA
150	3000 mA
200	4200 mA
250	5100 mA
320	6600 mA

LED Lumen Maintenance:

SYSTEM WATTS	HOURS			
	0	25000	50000	100000
75	100%	95%	90%	80%
110	100%	94%	88%	78%
150	100%	94%	87%	75%
200	100%	95%	90%	80%
250	100%	94%	88%	78%
320	100%	94%	87%	75%

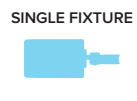
Electrical Load - Standard Voltage:

SYSTEM WATTS	INPUT CURRENT				INPUT VOLTAGE	INPUT FREQUENCY	POWER FACTOR	THD	OPERATING TEMPERATURE	SURGE PROTECTION	DIMMING
	120 VAC	208 VAC	240 VAC	277 VAC							
75	0.63	0.36	0.31	0.27	120-277 VAC	50/60 Hz	>0.99 @120 VAC >0.91 @277 VAC	<13%	-40°F to 140°F (-40°C to 60°C)	4kV L/N 6kV L/N/G 10kV Optional	1-10V
110	0.92	0.53	0.46	0.40							
150	1.25	0.72	0.63	0.54							
200	1.67	0.96	0.83	0.72							
250	2.08	1.20	1.04	0.90							
320	2.67	1.54	1.33	1.16							

Electrical Load - High Voltage:

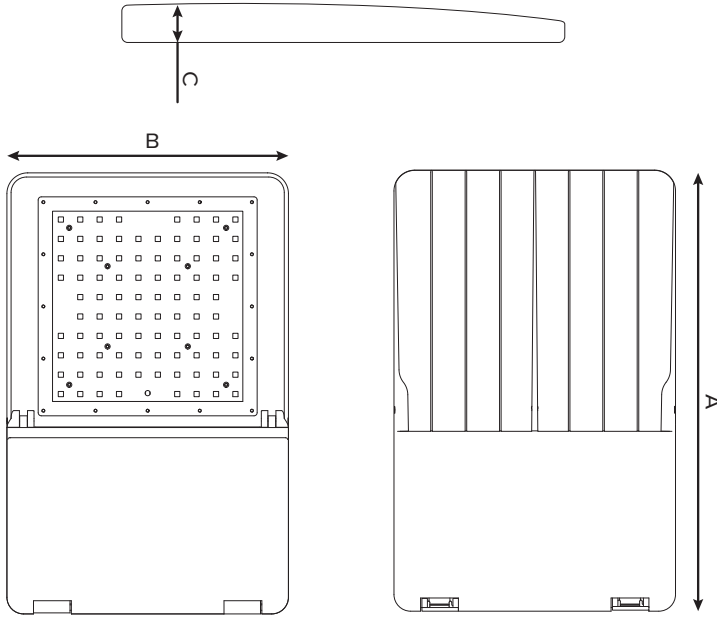
SYSTEM WATTS	INPUT CURRENT			INPUT VOLTAGE	INPUT FREQUENCY	POWER FACTOR	THD	OPERATING TEMPERATURE	SURGE PROTECTION	DIMMING
	277 VAC	347 VAC	480 VAC							
75	0.27	0.22	0.16	277-480 VAC	50/60 Hz	>0.97 @277 VAC >0.88 @480 VAC	<10% @277 VAC, <19% @480 VAC	-40°F to 140°F (-40°C to 60°C)	4kV L/N 6kV L/N/G 10kV Optional	1-10V
110	0.40	0.32	0.23							
150	0.54	0.43	0.31							
200	0.72	0.58	0.42							
250	0.90	0.72	0.52							
320	1.16	0.92	0.67							

EPA:



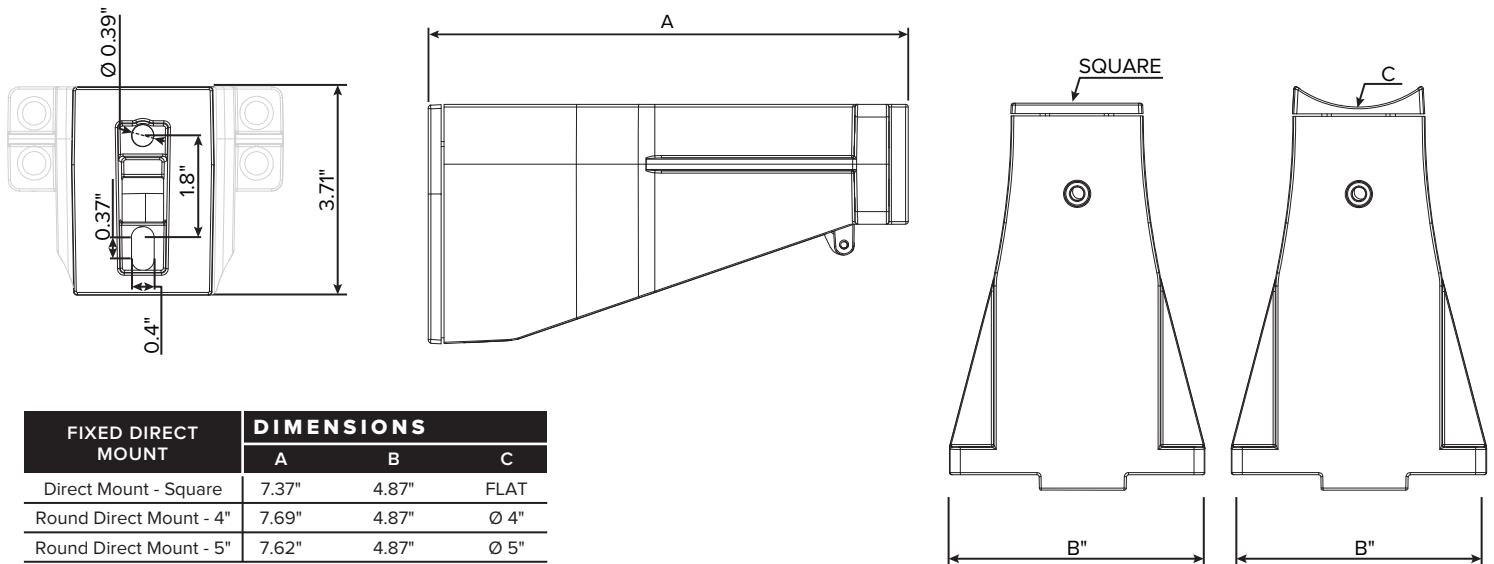
TILT	EPA FOR 75, 110 AND 150 WATT NOVA FIXTURES					
0°	0.19	0.38	0.39	0.54	0.51	0.75
10°	0.57	1.16	1.19	1.41	1.29	2.25
30°	0.75	1.56	1.72	2.24	2.15	3.1
60°	1.31	2.55	2.74	3.29	3.06	5.17
90°	1.43	3.01	3.19	4.29	4.19	5.87
TILT	EPA FOR 200, 250 AND 320 WATT NOVA FIXTURES					
0°	0.21	0.51	0.57	1.53	1.36	1.85
10°	0.97	1.45	1.59	2.68	2.23	2.58
30°	1.95	2.81	3.24	4.37	4.16	6.35
60°	2.21	3.84	4.37	6.64	6.41	8.63
90°	2.32	4.66	5.13	7.65	7.64	11.19

Dimensions:



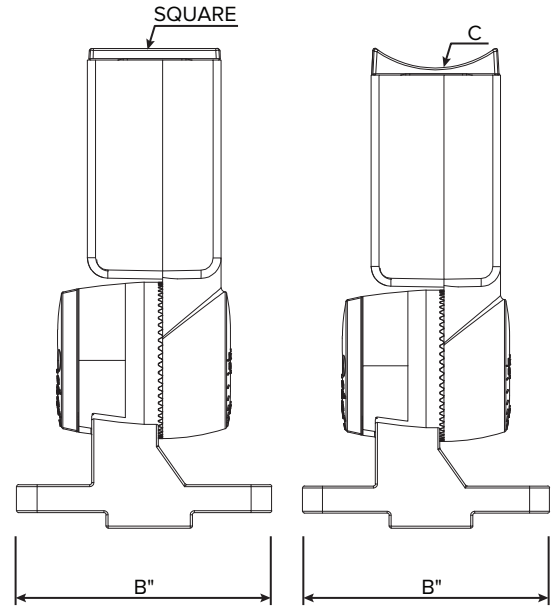
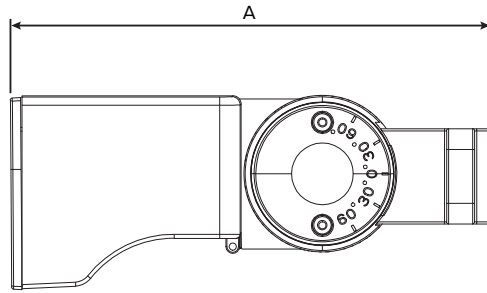
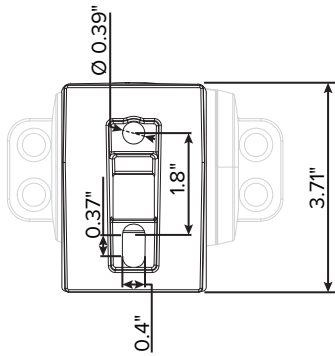
SYSTEM WATTS	DIMENSIONS			WEIGHT
	A	B	C	Pounds (lbs)
75	25.78"	10.63"	1.38"	13.25
110	25.78"	10.63"	1.38"	13.25
150	25.78"	10.63"	1.38"	13.25
200	29.53"	13.78"	2.56"	18.75
250	29.53"	13.78"	2.56"	18.75
320	29.53"	13.78"	2.56"	18.75

Fixed Direct Mount:



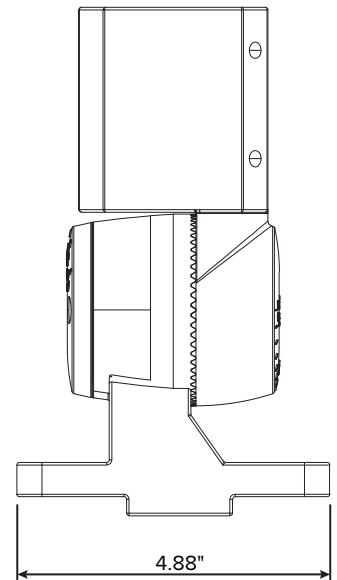
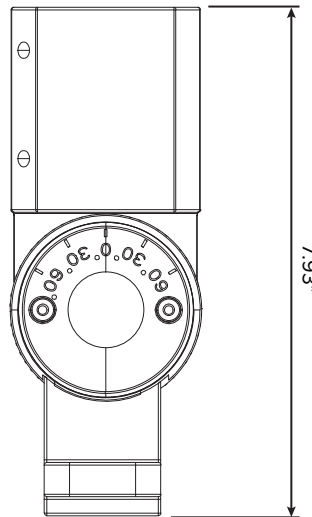
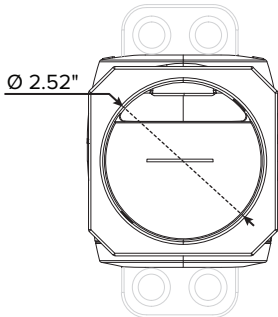
FIXED DIRECT MOUNT	DIMENSIONS		
	A	B	C
Direct Mount - Square	7.37"	4.87"	FLAT
Round Direct Mount - 4"	7.69"	4.87"	Ø 4"
Round Direct Mount - 5"	7.62"	4.87"	Ø 5"

Direct Mount:

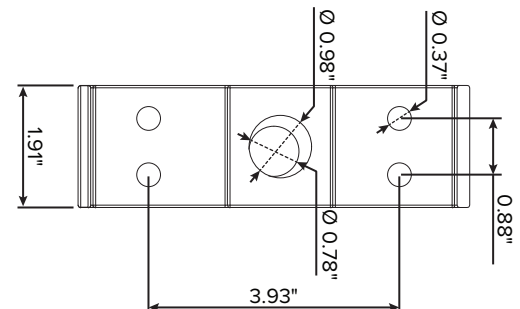
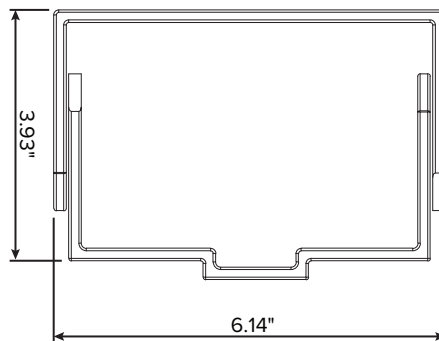
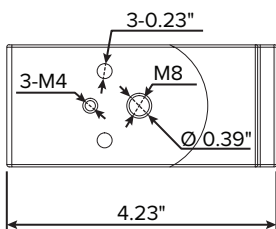


DIRECT MOUNT	DIMENSIONS		
	A	B	C
Direct Mount - Square	9.18"	4.88"	FLAT
Round Direct Mount - 4"	9.46"	4.88"	Ø 4"
Round Direct Mount - 5"	9.38"	4.88"	Ø 5"

Slip Fitter:

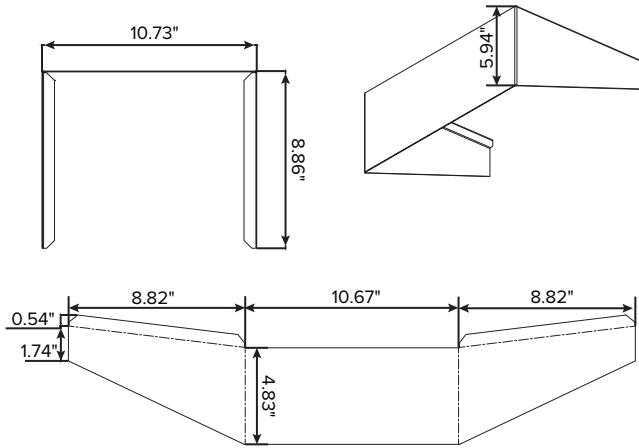


Yoke Mount:

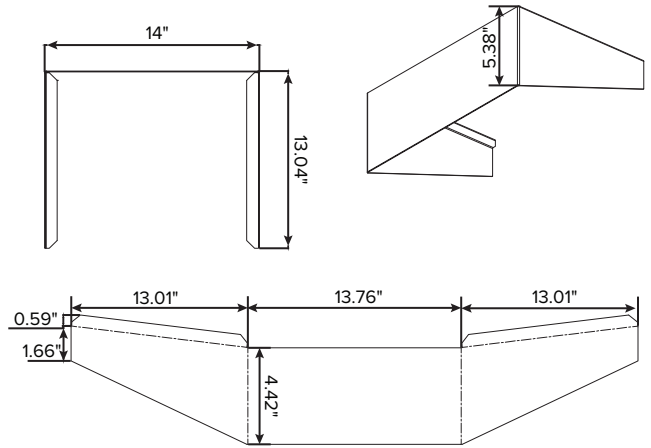


Front Street Side Shield:

Front Street Side Shield - **Small**

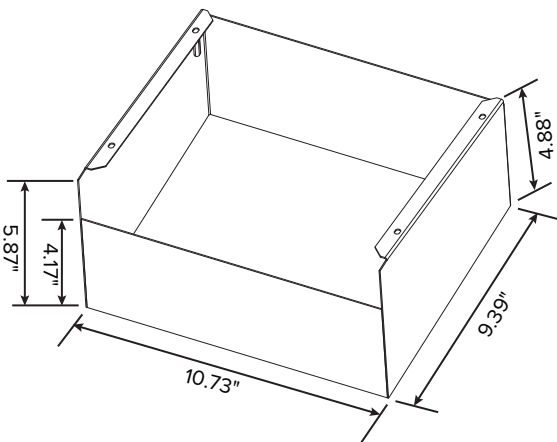


Front Street Side Shield - **Large**

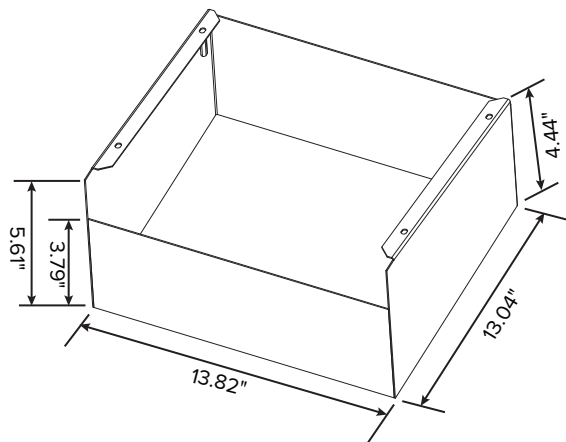


Full Body Shield:

Full Body Shield - **Small**

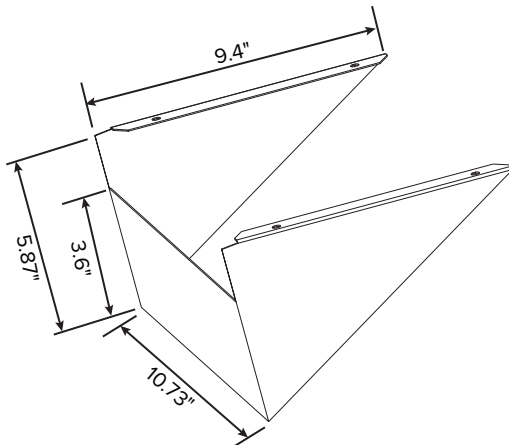


Full Body Shield - **Large**



House Side Shield:

House Side Shield - **Small**



House Side Shield - **Large**

