

Key Features & Benefits:

- 0–10V Dimming Control
- Works With Ballast or LED Drivers
- Adjustable Via Built in Dip Switches or Remote Control
- Optional Cut Off Delay
- Time Delay From 10 Seconds to 60 Minutes
- Adjustable Ramp Up and Fade Down Time
- Durable and Reliable Operation

Project: _____

Date: _____

Catalog #: _____

Notes: _____

Product Specifications:

Power Supply: 6–24 VDC
 Sensor Type: Passive Infrared
 Sensitivity Adjustment: 20% / 50% / 75% / 100%
 Dimming Control Output: 0–10V Max. 25mA sinking current
 Detection Radius/angle: 30ft@40ft Height/360°
 Detection Area (square footage): 2,826ft²@40ft Height/360°
 Mounting Height: 40ft Max
 Remote Range: 50ft
 Humidity: Max 95% RH
 Temperature: -40°F ~ 167°F (-40°C ~ 75°C)



ESL-REM-100*:

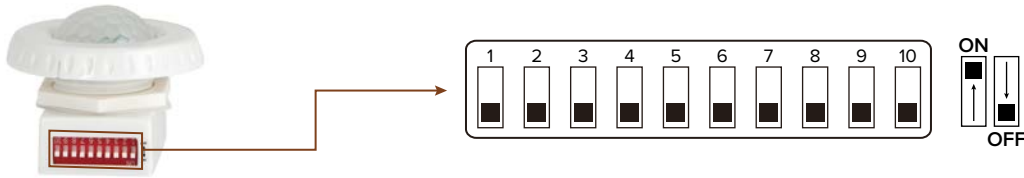
*ESL-REM-100 Sold Separately



Catalog Data:

ITEM #	DESCRIPTION
ESL-8OCC-ODD-LV	Outdoor Occupancy Sensor, Dip Switch, 0–10v Dimmable, 6–24 VDC Input
ESL-REM-100	Remote control for 2OCC, 3OCC, 4OCC, 5OCC and 8OCC

Dip Switch Programming:



Detection Range (Sensitivity):

Detection range is the term used to describe the radii of the circular detection zone after sensor has been mounted and installed at a height of 40ft.

ON OFF	SENSITIVITY		
	1	2	%
OFF	OFF	OFF	20%
OFF	ON	OFF	50%
ON	OFF	ON	75%
ON	ON	ON	100%

Stand-by Light Level:

When no movement is detected after hold time elapses, the light dims to stand-by level (10%/30%/50%).

ON OFF	TIME		
	1	2	%
OFF	OFF	OFF	0%
OFF	ON	OFF	10%
ON	OFF	ON	30%
ON	ON	ON	50%

Hold Time:

The light can be set to stay ON for any period of time between approximately 10 seconds to a maximum of 60 minutes. Any detection of movement before the programmed hold time elapses and the timer with re-start. It is recommended to select the shortest time for adjusting the detection zone and for performing the walk test.

ON OFF	TIME		
	1	2	%
OFF	OFF	OFF	10 SEC
OFF	ON	OFF	10 MIN
ON	OFF	ON	30 MIN
ON	ON	ON	60 MIN

Stand-by Time:

Light will switch to OFF after the stand-by time of (1min/30min/60min) has elapsed.

ON OFF	STAND-BY TIME		
	1	2	%
OFF	OFF	OFF	+ ∞
OFF	ON	OFF	1min
ON	OFF	ON	30min
ON	ON	ON	60min

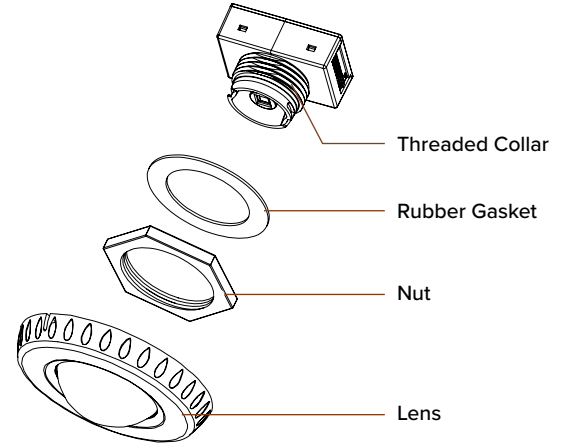
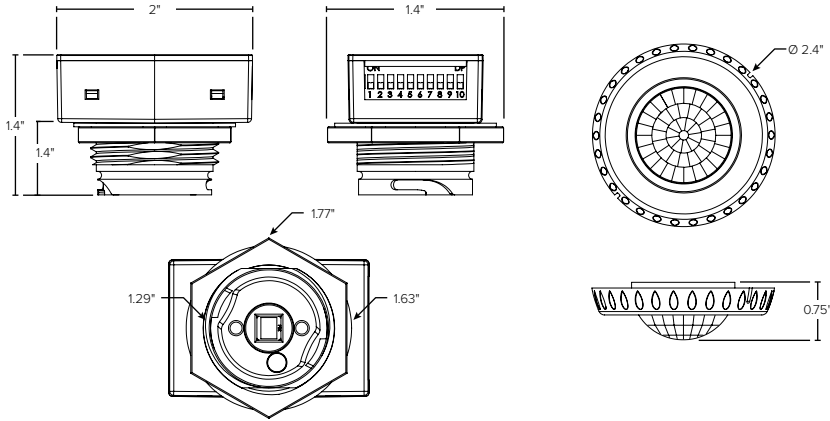
NOTE: If you set the STAND-BY LEVEL at 0%, and the STAND-BY TIME at + ∞ it becomes an ON/OFF function.

Remote Control Programming:

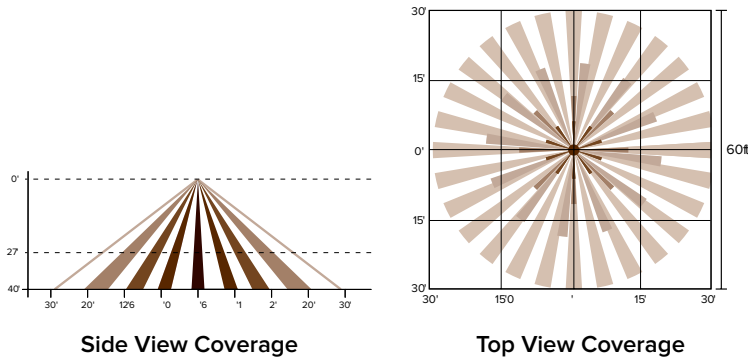
The ESL-REM-100 (Sold Separately) can be use to program the 8OCC-ODD-LV remotely. With a range of 50ft this allows for the flexibility to re-program for any reason, at any time. Please see REM-100 spec sheet and/or instruction guide for more detailed information.



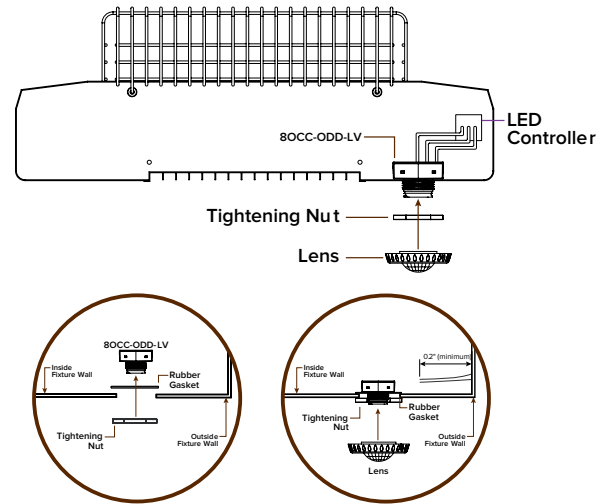
Dimensions:



Coverage:

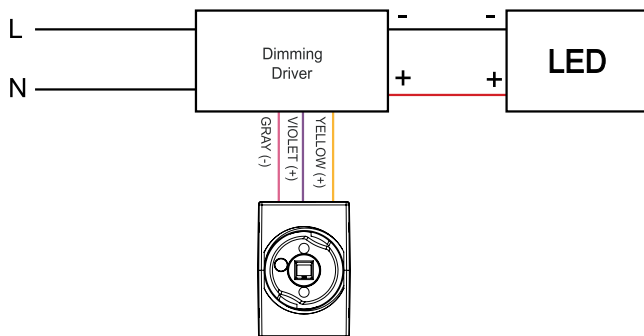


Mounting:



Wiring:

8OCC-ODD-LV wiring with 12VDC wire dimming ballast or LED driver



8OCC-ODD-LV wiring with AC/DC Adapter and dimming ballast or LED driver

