

STATIC DISCHARGE GROUNDING REEL

MODEL SDR-25 & SDR-50

Static Discharge Grounding Reels are used to ground static charges on service equipment during the transfer of combustible fuel and other flammable liquids. SDR reels are spring operated automatic retrieve reels containing stranded steel aircraft cable.

The reel is compact in design, for convenient mounting on fuel equipment, and provides a light, constant spring tension on the grounding cable, keeping the cable from becoming tangled.

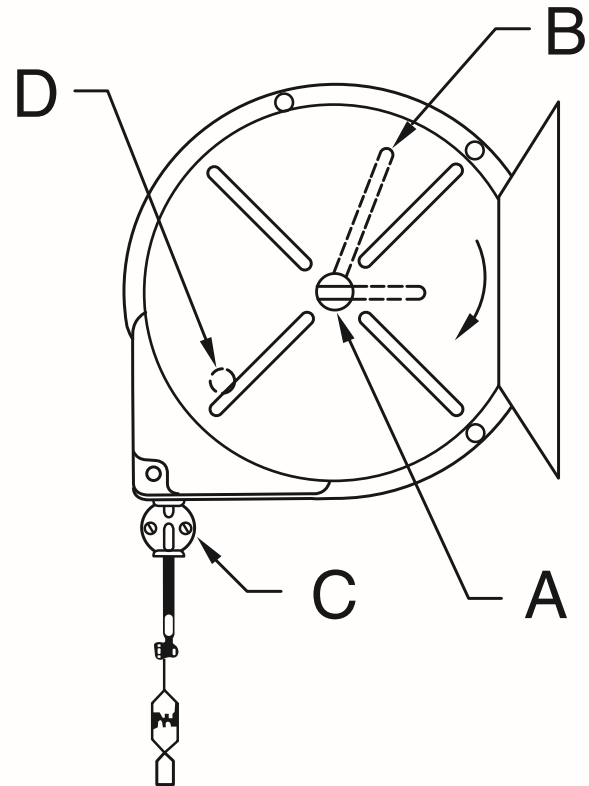
The reels are constructed of steel and are equipped with a 100-ampere ground clamp and rubber covered bumper. An instant-acting lock and release provides operator convenience.

INSTALLATION - Mount the reel securely, pull the grounding cable out to determine if the tension is sufficient for the intended use. If additional tension is needed, apply wrench to flats on the mainspring shaft (A), rotating counter-clockwise until the desired tension is reached.

If mainspring tension is too high, it may be decreased by depressing tension lock spring (B) on opposite side of reel. Do not remove more tension than desired. If too much tension is removed, increase tension as described above.

MAINTENANCE - Servicing the Model SDR Static Discharge Reel is an easy process. Be sure the unit is mounting securely. Inspect the cable often for fraying. Lubrication is not required as lubrication for the life of the reel is applied at the factory.

CABLE STOP - The cable stop assembly (C) may be adjusted to any position.



LOCK - The mechanical locking device works positively at all times and in any position, regardless of the cable retraction speed. The lock engages at the desired position by pulling the cable approximately 1/2 inch. The lock release knob (D) completely disengages the lock to constant tension.

GROUNDING - Care should be taken to be sure the unpainted surface of the base is properly grounded.

Care must be taken when reeling cable back onto the reel. DO NOT let go of the cable - Walk it back towards reel keeping tension on cable at all times.

C8020476 Rev E



ERICSON MANUFACTURING COMPANY

4323 Hamann Parkway Willoughby, Ohio 44094 U.S.A

Toll Free: 1-800-ERICSON (374-2766) • Phone: (440)951-8000 • Fax: (440)951-1867

E-mail: info@ericson.com • Website: www.ericson.com