



ERICSON

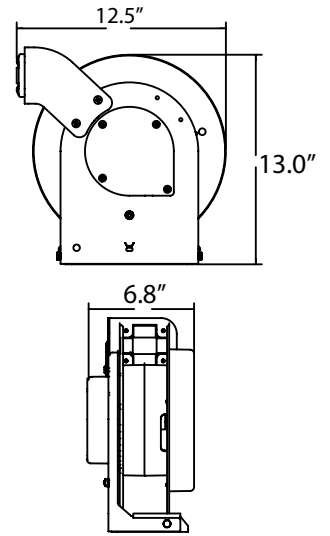
SAFETY IS OUR STANDARD



FLEX RIG & 4000 SERIES CABLE REELS



Separate mounting base
for quick installation



3100 Flex Rig

Commercial, Retractable Cable Reel

Flange Size: 12" diameter

Construction: Reinforced steel construction, durable white powder coated finish, and black nylon hubs

- Separate mounting base plate for easiest installation on the market
- 4-roller cable guide designed for a quick positional change
- Grounded slip ring assembly for safety
- Adjustable ball stop included

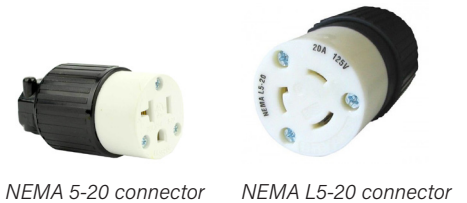
Primary Termination: 6 ft. feeder cord with molded plug

Cable Type: Installed with 12/3 SJ00W or 16/3 gauge type SOOW 300V cable

Environmental: Rated NEMA 2 for indoor use

Electrical Ratings: Max rating of slip ring is 20A, 125V

Options: Secondary attachment options: blunt, a quad rubber box, molded tri-tap or single connector



NEMA 5-20 connector

NEMA L5-20 connector



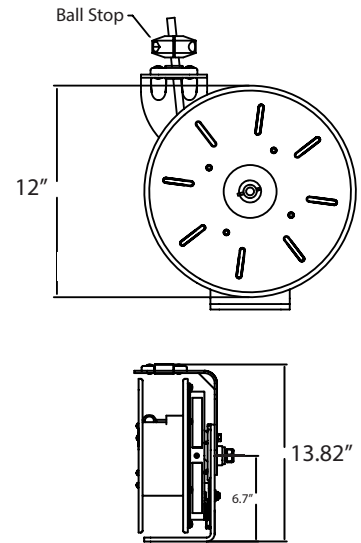
Quad Receptacle box



Tri-Tap

Range 25 & 50 ft. **Applications** Lift or drag

Cord Length & Type	Part Number	Secondary Attachment	Listing
25 ft. 16/3 AWG	F3163-25-TT10	NEMA 5-15 molded tri-tap	cULus
25 ft. 12/3 AWG	F3123-25-TT15G	NEMA 5-15 molded tri-tap	cULus
25 ft. 12/3 AWG	F3123-25-F15	Blunt	cULus
25 ft. 12/3 AWG	F3123-25-F20	Blunt	cULus
25 ft. 12/3 AWG	F3123-25-520	NEMA 5-20 connector	cULus
25 ft. 12/3 AWG	F3123-25-L520	NEMA L5-20 connector	cULus
25 ft. 12/3 AWG	F3123-25-B20	NEMA 5-20 quad receptacle box	cULus
25 ft. 12/3 AWG	F3123-25-B20G	NEMA 5-20 quad receptacle box with GFCI	cULus
50 ft. 16/3 AWG	F3163-50-TT10	NEMA 5-15 molded tri-tap	cULus
50 ft. 12/3 AWG	F3123-50-TT15G	NEMA 5-15 molded tri-tap with GFCI	cULus
50 ft. 12/3 AWG	F3123-50-F15	Blunt	cULus
50 ft. 12/3 AWG	F3123-50-F20	Blunt	cULus
50 ft. 12/3 AWG	F3123-50-520	NEMA 5-20 connector	cULus
50 ft. 12/3 AWG	F3123-50-L520	NEMA L5-20 connector	cULus
50 ft. 12/3 AWG	F3123-50-B20	NEMA 5-20 quad receptacle box	cULus
50 ft. 12/3 AWG	F3123-50-B20G	NEMA 5-20 quad receptacle box with GFCI	cULus



4000 Series

Industrial, Retractable Cable Reel

Flange Size: 12" diameter

Construction: Heavy all-steel with durable yellow powder coated finish

- Formed steel stand with multiple mounting holes
- 4-roller cable guide - adjustable to one of 12 positions
- Ratchet can be engaged for positive lock or disengaged for constant tension
- Safety chain hole provided for overhead mounting
- Adjustable ball stop included
- Grounded slip ring assembly for safety

Termination: 6 ft. feeder cord (3 conductor - molded plug, all others - blunt cable)

Cable Type: Installed with type SJOW/SJEOW 300V or SOOW 600V cable

Environmental: Reel housing is rated NEMA 4 for Indoor & Outdoor. Reel is derated to NEMA 2 with any reel attachment or with a molded plug on primary w/ SJ 3 conductor cable.

Electrical Ratings: Max rating of slip Ring = 30A, 600V

Custom Options: Stretch or retrieve application, black or white powder coat finish, secondary attachments, pivot base, or Perma-Kleen™ antimicrobial cable

-HSS

-1610



NEMA 5-15
Perma-Link™ Connector



944-RS

-1612CG



NEMA 5-20
Perma-Grip® Connector

Range 20–50 ft. **Applications** Lift or drag

NEMA 2 Rated **NEMA 4 Rated**

Cord Length & Type	Reel with cable only		944-RS Hand Lamp	Connector	GFCI & Outlet box	Listing
	300V Cable	600V Cable				
25 ft. 16/3 AWG		4163-25SO	4163-25-HSS			UL, CSA
35 ft. 16/3 AWG		4163-35SO	4163-35-HSS			UL, CSA
50 ft. 16/3 AWG		4163-50SO	4163-50-HSS			UL, CSA
30 ft. 14/3 AWG	4143-30	4143-30SO	4143-30-HSS	4143-30-1610	4143-30-BG	UL, CSA
40 ft. 14/3 AWG	4143-40	4143-40SO	4143-40-HSS	4143-40-1610	4143-40-BG	UL, CSA
50 ft. 14/3 AWG	4143-50	See 5000 Series	4143-50-HSS	4143-50-1610	4143-50-BG	UL, CSA
25 ft. 12/3 AWG	4123-25	4123-30SO (30')	4123-25-HSS	4123-25-1612CG	4123-25-BG	UL, CSA
50 ft. 12/3 AWG	4123-50	See 5000 Series	4123-50-HSS	4123-50-1612CG	4123-50-BG	UL, CSA
35 ft. 16/4 AWG	4164-35	4164-35SO				UL, CSA
50 ft. 16/4 AWG	4164-50	4164-50SO				UL, CSA
35 ft. 14/4 AWG	4144-35					UL, CSA
25 ft. 12/4 AWG	4124-25	4124-25SO				UL, CSA
35 ft. 12/4 AWG	4124-35					UL, CSA



1-800-ERICSON · ericson.com

L1000788B