

# 910 LED Series Handlamp



## Standard Product Features:

- Industrial grade, LED handlamp designed for rugged environments
- Environmental ratings: NEMA 3R (IP24), 4X (IP56), & 6P (IP67)
- High output LED light engine providing 1440 lumens at 10 watts for a luminous efficacy of 144 lumens/watt
- Available in 200° & 360° beams
- Driver range of 100 - 277 volts at 50/60 Hz
- Unique LED bulb provides theft deterrence
- 50,000-hour lamp life
- Pre-wired with a NEMA 5-15, 15A, 125V, 6P rated plug
- Most components are serviceable in the field
- Patent pending & cULus listing pending
- Made in the USA

## Built Tough for Harsh Environments

Ericson's 910 LED Handlamp Series is enclosed within a shatter-resistant barrier. This is supported by a rugged, heavy-duty, rubberized, non-conductive, corrosion-resistant molded end cap & handle. Engineered and manufactured to withstand the harshest work environments, the LED task light provides a safe and reliable light at only 10 watts of power at 1440 lumens.

Many options are available within the 910 Series handlamp to provide you with a solution that meets any application needs.

## Handlamp Options:

- Directional or omni-directional beam angle
- On/off switch on handle
- Magnetic strap for hands-free operation
- Replaceable clear tube shield protector
- 12V lamp with an inline over-molded transformer
- RFID tag for theft deterrence & inventory control
- Other plug configurations available
- All black units available upon request
- Personalize via cable printing & handle hotstamping
- Contact Ericson for custom configurations

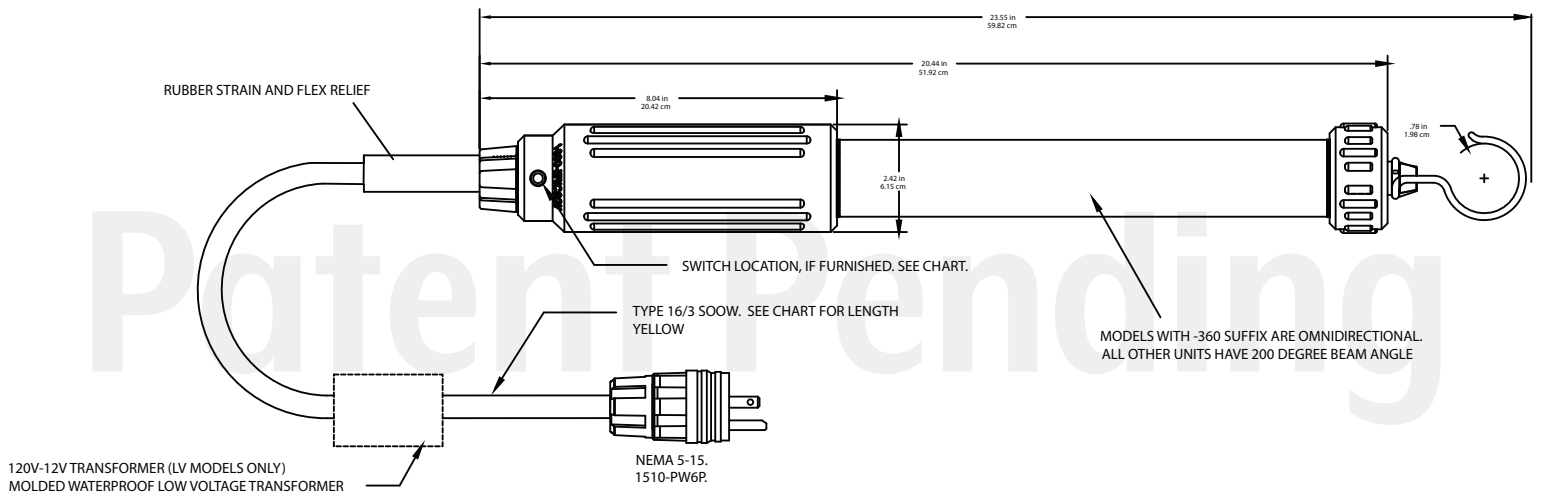
## Applications:

- Confined Space Entry
- Task Lighting
- Power Generation
- Petrochemical
- Emergency Lighting
- Beverage Industry
- Maintenance
- Aviation
- Ship Building
- Mining
- Military Applications

# Selection Guide

Part Number	16/3 SOOW Yellow Cord Length	Handle ON/OFF Switch	Handlamp LED Type	LED Lumens	Beam Angle (deg)	CRI	Color Temp	Low Temp Start	Low Voltage (12V) Transformer	Rating w/ 6P Rated NEMA 5-15 Plug	Voltage Range of Driver	NEMA Rating	IP Rating
910-6-LED-D	6ft / 1.82m	NO	Directional	1440	200°	>80	5700K	-20° C	NO	120V 0.11A 11.3W	100-277VAC 50/60Hz	3R, 4X, 6P	24, 56, 67
910-6S-LED-D	6ft / 1.82m	YES	Directional	1440	200°	>80	5700K	-20° C	NO	120V 0.11A 11.3W	100-277VAC 50/60Hz	3R, 4X	24, 56
910-6-LED-360	6ft / 1.82m	NO	Omni-Directional	1440	360°	>80	5700K	-20° C	NO	120V 0.10A 12W	100-277VAC 50/60Hz	3R, 4X, 6P	24, 56, 67
910-6S-LED-360	6ft / 1.82m	YES	Omni-Directional	1440	360°	>80	5700K	-20° C	NO	120V 0.10A 12W	100-277VAC 50/60Hz	3R, 4X	24, 56
910-6S-LED-DLV	6ft / 1.82m	YES	Directional	1440	200°	>80	5700K	-20° C	YES	120V 0.15A 15W	120VAC 60Hz only	3R, 4X	24, 56
910-25-LED-D	25ft / 7.62m	NO	Directional	1440	200°	>80	5700K	-20° C	NO	120V 0.11A 11.3W	100-277VAC 50/60Hz	3R, 4X, 6P	24, 56, 67
910-25S-LED-D	25ft / 7.62m	YES	Directional	1440	200°	>80	5700K	-20° C	NO	120V 0.11A 11.3W	100-277VAC 50/60Hz	3R, 4X	24, 56
910-25-LED-360	25ft / 7.62m	NO	Omni-Directional	1440	360°	>80	5700K	-20° C	NO	120V 0.10A 12W	100-277VAC 50/60Hz	3R, 4X, 6P	24, 56, 67
910-25S-LED-360	25ft / 7.62m	YES	Omni-Directional	1440	360°	>80	5700K	-20° C	NO	120V 0.10A 12W	100-277VAC 50/60Hz	3R, 4X	24, 56
910-25S-LED-DLV	25ft / 7.62m	YES	Directional	1440	200°	>80	5700K	-20° C	YES	120V 0.15A 15W	120VAC 60Hz only	3R, 4X	24, 56
910-50-LED-D	50ft / 15.24m	NO	Directional	1440	200°	>80	5700K	-20° C	NO	120V 0.11A 11.3W	100-277VAC 50/60Hz	3R, 4X, 6P	24, 56, 67
910-50S-LED-D	50ft / 15.24m	YES	Directional	1440	200°	>80	5700K	-20° C	NO	120V 0.11A 11.3W	100-277VAC 50/60Hz	3R, 4X	24, 56
910-50-LED-360	50ft / 15.24m	NO	Omni-Directional	1440	360°	>80	5700K	-20° C	NO	120V 0.10A 12W	100-277VAC 50/60Hz	3R, 4X, 6P	24, 56, 67
910-50S-LED-360	50ft / 15.24m	YES	Omni-Directional	1440	360°	>80	5700K	-20° C	NO	120V 0.10A 12W	100-277VAC 50/60Hz	3R, 4X	24, 56
910-50S-LED-DLV	50ft / 15.24m	YES	Directional	1440	200°	>80	5700K	-20° C	YES	120V 0.15A 15W	120VAC 60Hz only	3R, 4X	24, 56

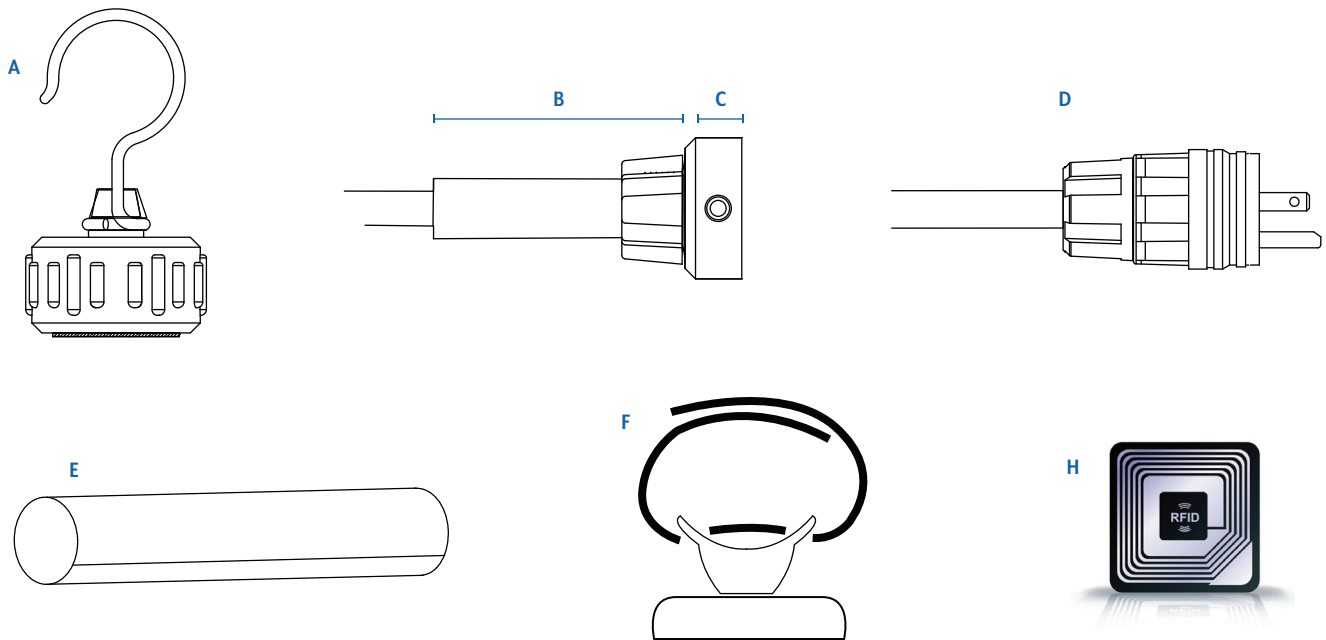
\*Contact Ericson for other configurations and custom solutions.



# Accessory Specifications

Part Number	Description	Image Reference
910-CH	Replacement: End Cap with Metallic Hook	A
910-SR	Replacement: Strain Relief System (Nut, Ferrule, and Grommet)	B
910-SW	Replacement: On/Off Switch and Weather Boot	C
1510-PW6P	Replacement: Plug (NEMA 5-15), 6P Rated	D
TS-14	Accessory: Protective Tube Shield Lens Cover 4-Pack	E
910-MS	Accessory: Magnet Strap for Hands-Free Operation	F
RFID-TAG-C-10*	Accessory: RFID Cord Tag 10-Pack Kit	G

\*RFID tag system is available for all Ericson products by appending -R to the part number.



Ericson Manufacturing Company  
 4323 Hamann Parkway  
 Willoughby, OH 44094, USA



1.800.374.2766  
 info@ericson.com  
 www.ericson.com  
 L1000769F