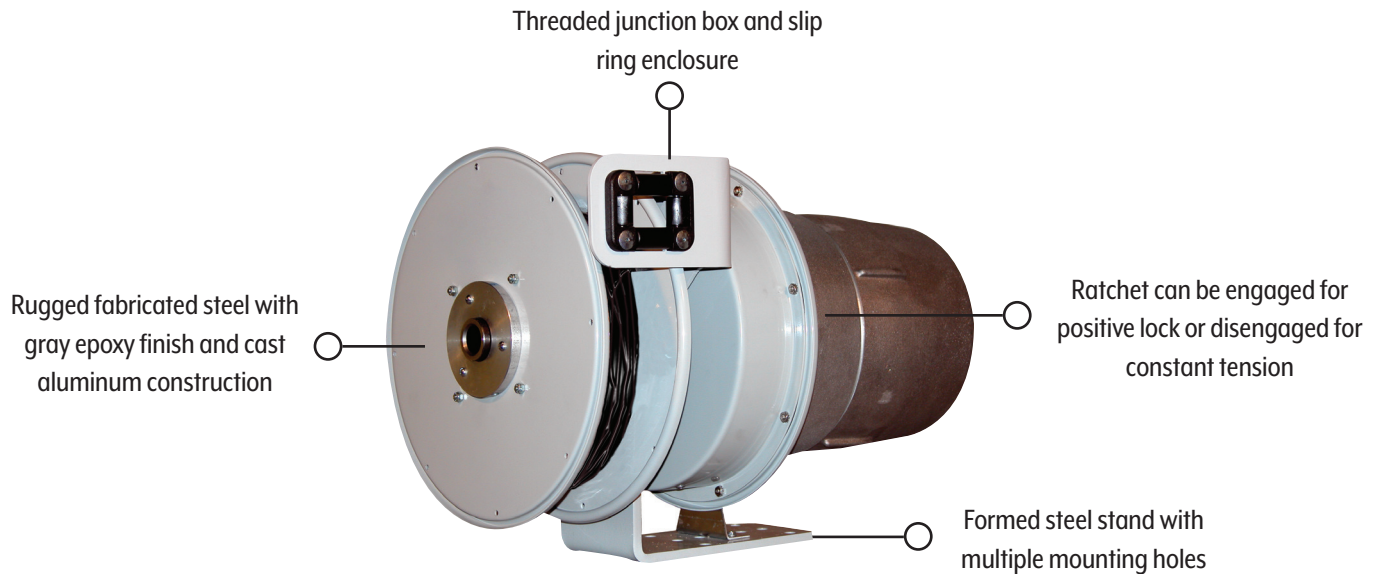


# 8000 Series Industrial Hazardous Location Retractable Cable Reel



**Range** 20–80 ft.    **Applications** Lift or drag

## Other Standard Features:

**Flange Size:** 14" diameter

### Construction:

- Rugged fabricated steel with gray epoxy finish and cast aluminum construction
- Formed steel stand with multiple mounting holes
- 4-roller cable guide adjustable to 1 of 12 positions
- Ratchet can be engaged for positive lock or disengaged for constant tension
- Safety chain hole provided for overhead mounting
- Adjustable ball stop included
- Grounded slip ring assembly for safety
- Threaded junction box and slip ring enclosure

**Termination:** 6 ft. feeder cord

**Cable Type:** Installed with type SOOW 600V cable

### Environmental:

- Class I Division 1, Groups C & D (flammable gases or vapors)
- Class II Division 1, Groups E, F, & G (combustible dusts)
- Class III Division 1 (easily-ignitable fibers or flyings)
- Class I Zone 1: AEx d IIB, EX d IIB
- Conforms to NEMA 9 and NEMA 4 (IP56) standards
- Select models UL listed

**Electrical Ratings:** Max rating of Slip Ring = 35A, 600V

**Options:** Stretch or retrieve application, LED XP hand lamp attachment, flop-over guide kit, or pivot base

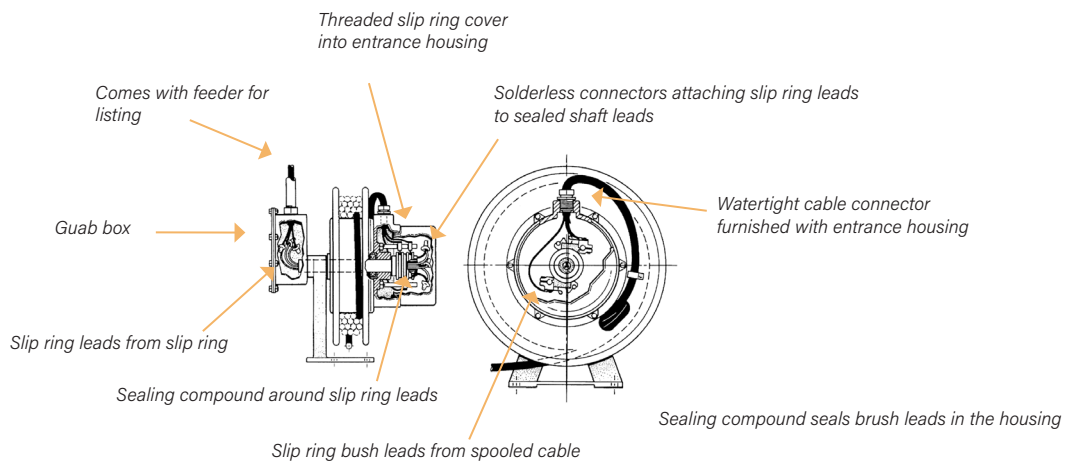
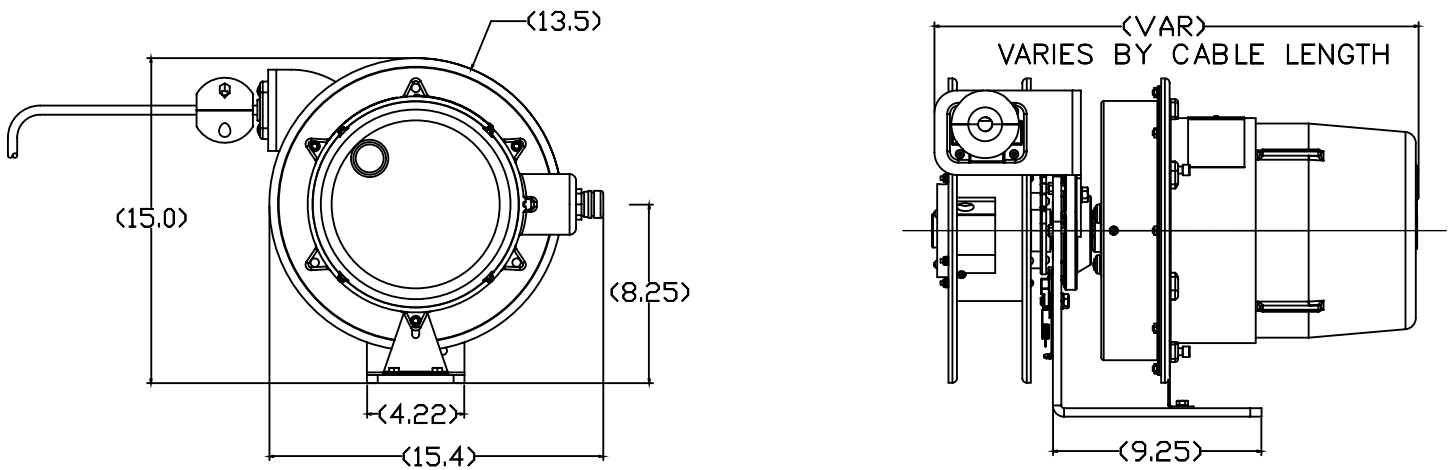
## Applications:

- Petroleum facilities
- Waste water treatment plants
- Grain storage and handling silos
- Paint booths
- Underground mines
- Chemical plants

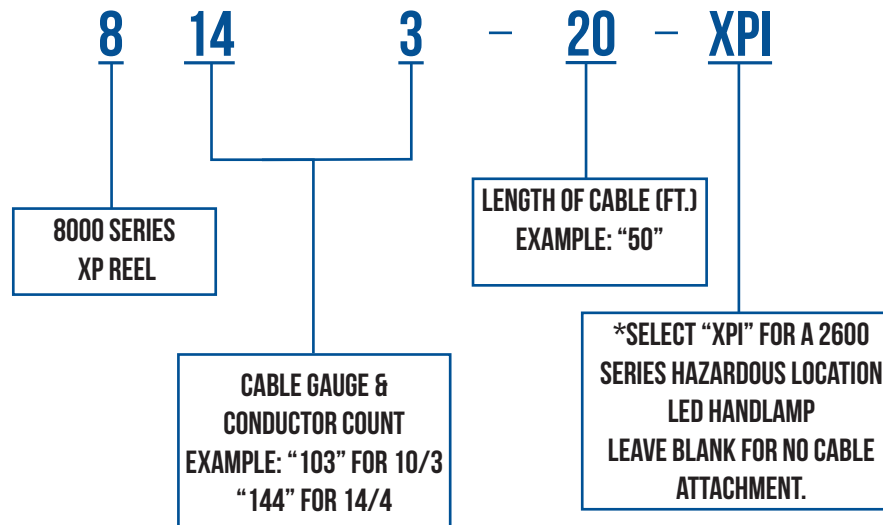


*Optional 2600 Series  
XP LED hand lamp*

**Reel Dimensions (inches):**



**Reel Selection:**



Ericson Manufacturing Company  
4323 Hamann Parkway  
Willoughby, OH 44094, USA



1.800.374.2766  
info@ericson.com  
www.ericson.com

L1000812A