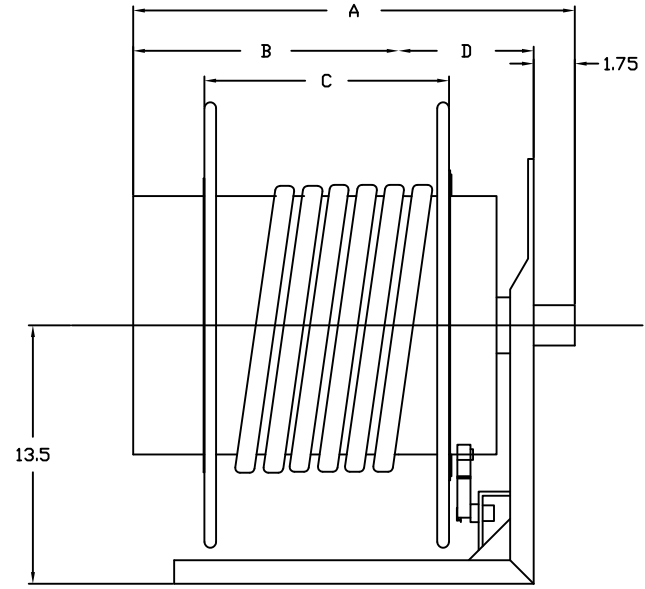
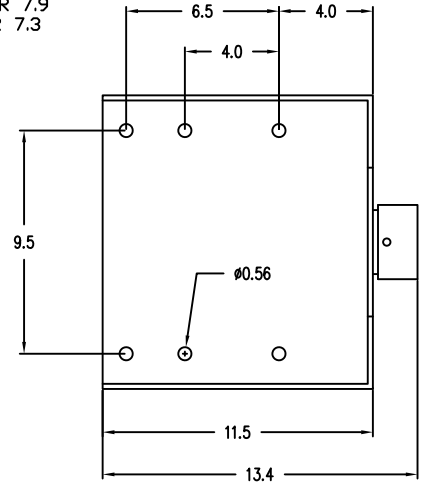


TYPICAL DIMENSIONS



A = 15.7 TO 26.7  
 B = 8 TO 17.8  
 C = 5.5 OR 7.9  
 D = 6 OR 7.3



NOTES:

- 1) YELLOW POWDER COAT FINISH.
- 2) ONE CONDUCTOR GROUNDED TO REEL.
- 3) INCLUDES RATCHET AND BALLSTOP.
- 4) SOOW CABLE STANDARD.
- 5) SEVERAL STANDARD SECONDARY OPTIONS INCLUDING LAMPS AND RECEPTACLES. SEE CHART.
- 6) 4 POSITION ADJUSTABLE CABLE GUIDE BRACKET.
- 7) NEMA 4 CONSTRUCTION. SEE CHART FOR RATINGS.
- 8) MOST MODELS cULus LISTED (E59949). SEE CHART FOR CERTIFICATIONS.
- 9) SLIP RING RATING 600V AND AVAILABLE AMPACITIES 35-150A.
- 10) PRIMARY PIGTAIL CONSISTS OF 1 TO 2 FEET OF INDIVIDUAL CONDUCTORS OF APPROPRIATE SIZE.

REV	REVISION DESCRIPTION	DATE	BY	CHKD	ECN NO.
A	INITIAL DESIGN				
B	ADDED CHART PAGE 2				

TOLERANCES  
 FRAC. ± 1/64  
 .X ± .015  
 .XX ± .010  
 .XXX ± .005  
 ANGLES ± 1°  
 UNLESS OTHERWISE SPECIFIED  
 DO NOT SCALE  
 B SIZE

DWG. APPROVALS	DATE	REV.

DRAWN RWH      12/2/19  
 CHK'D \_\_\_\_\_

Since 1918

# ERICSON®

**ENERGIZE, PROTECT, ILLUMINATE & CONNECT**  
 ERICSON MANUFACTURING COMPANY  
 1-800-ERICSON • www.ericson.com

DWG. TITLE		
<b>7000 SERIES REEL FAMILY DRAWING</b>		
SCALE NTS	PROJ NO. --/--	SHEET 1 OF 2
DWG. UNIT NO. <b>7000 SERIES FAMILY</b>		REV <b>B</b>

EMC PN	REV	DESCRIPTION	cULus E59949	NEMA	VOLTS	AMPS	WATTS
7043-30	A	REEL 30FT 4/3 TYPE W BLK LIFT	YES	4	600	65	39000
7063-70	A	REEL 70FT 6/3 TYPE W BLK LIFT	YES	4	600	42	25200
7064-50	A	REEL 50FT 6/4 TYPE W BLK (706450) LIFT	YES	4	600	40	24000
7065-40	A	REEL ELEC 7000 SERIES 40' #6/5 BLACK TYPE W LIFT	NO	4	600	50	30000
7084-60	A	REEL 60FT 8/4 TYPE W BLK (708460) LIFT	YES	4	600	30	18000
7084-70	A	REEL 70FT 8/4 TYPE W BLK (708470) LIFT	YES	4	600	30	18000
7103-125	A	REEL 125FT 10/3 SOOW	YES	4	600	16	9600
7104-125	A	REEL 125FT 10/4 SOOW	YES	4	600	13	7800
7123-125	A	REEL 125FT 12/3 SOOW	YES	4	600	14	8400
7123-150	A	REEL 150FT 12/3 SOOW	YES	4	600	14	8400
7123-150-BG20	A	REEL 150FT 12/3 SOOW w/ 6000 BOX	YES	2	125	14	1750
7124-125	A	REEL 125FT 12/4 SOOW	YES	4	600	14	8400
7143-150	A	REEL 150FT 14/3 SOOW	YES	4	600	10.5	6300
7144-125	A	REEL 125FT 14/4 SOOW	YES	4	600	8	4800
7144-150	A	REEL 150FT 14/4 SOOW	YES	4	600	8	4800
7164-150	A	REEL 150FT 16/4 SOOW	YES	4	600	5.5	3300

NOTES:

- 1) YELLOW POWDER COAT FINISH.
- 2) ONE CONDUCTOR GROUNDED TO REEL.
- 3) INCLUDES RATCHET AND BALLSTOP.
- 4) SOOW CABLE STANDARD.
- 5) SEVERAL STANDARD SECONDARY OPTIONS INCLUDING LAMPS AND RECEPTACLES. SEE CHART.
- 6) 4 POSITION ADJUSTABLE CABLE GUIDE BRACKET.
- 7) NEMA 4 CONSTRUCTION. SEE CHART FOR RATINGS.
- 8) MOST MODELS cULus LISTED (E59949). SEE CHART FOR CERTIFICATIONS.
- 9) SLIP RING RATING 600V AND AVAILABLE AMPACITIES 35-150A.
- 10) PRIMARY PIGTAIL CONSISTS OF 1 TO 2 FEET OF INDIVIDUAL CONDUCTORS OF APPROPRIATE SIZE.

REV	REVISION DESCRIPTION	DATE	BY	CHKD	ECH NO.
A	INITIAL DESIGN				
B	ADDED CHART PAGE 2				

TOLERANCES  
 FRAC. ± 1/64  
 .X ± .015  
 .XX ± .010  
 .XXX ± .005  
 ANGLES ± 1°  
 UNLESS OTHERWISE SPECIFIED  
**DO NOT SCALE**  
 B SIZE

DWG. APPROVALS	DATE	REV.
_____	_____	_____
_____	_____	_____
DRAWN <u>RWH</u>	<u>12/2/19</u>	
CHK'D _____	_____	_____



DWG. TITLE		
7000 SERIES REEL FAMILY DRAWING		
SCALE NTS	PROJ NO. --/--	SHEET 2 OF 2
DWG. UNIT NO.		REV
7000 SERIES FAMILY		B