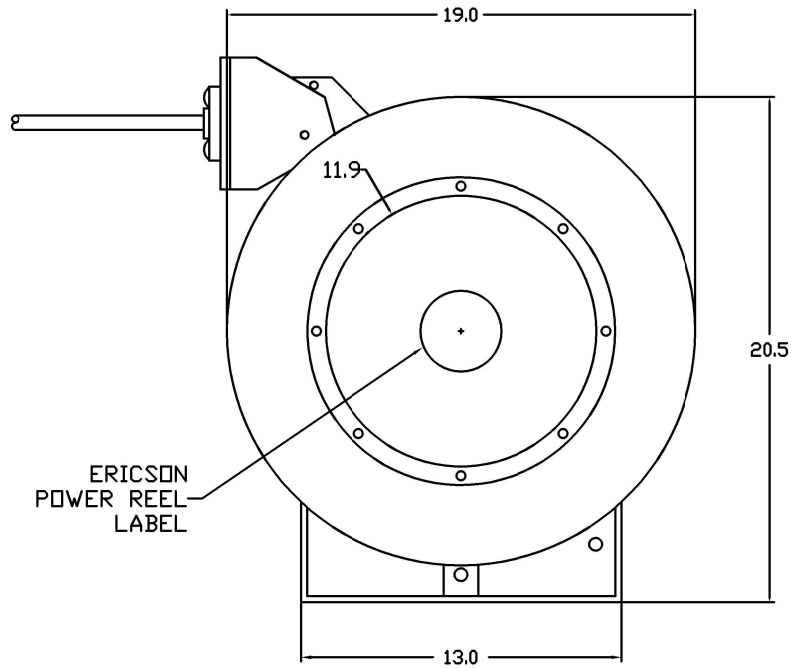
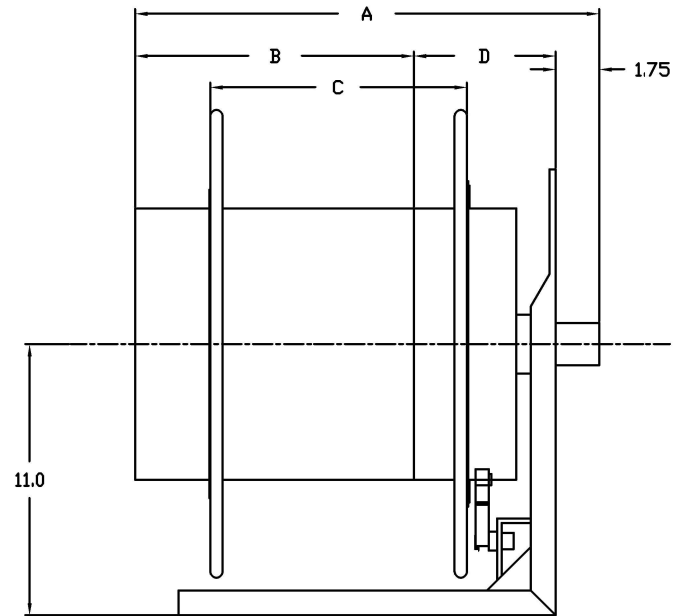


RESTRICTED

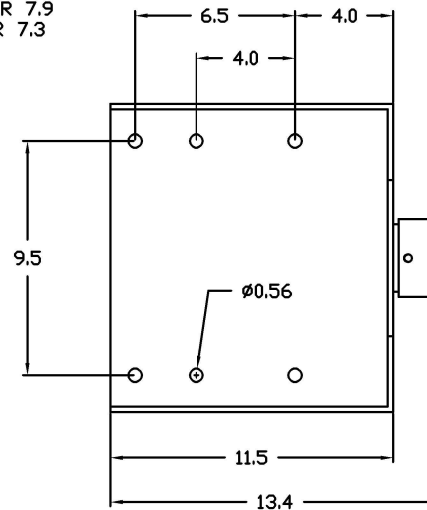
THIS PRINT IS PROPRIETARY AND CONFIDENTIAL AND MUST NOT BE COPIED OR ITS CONTENTS REVEALED TO UNAUTHORIZED PERSONNEL WITHOUT WRITTEN CONSENT OF ERICSON MANUFACTURING CO. IT IS TO BE RETURNED TO ERICSON MFG. UPON REQUEST.



TYPICAL DIMENSIONS



A = 15.7 TO 26.7
 B = 8 TO 17.8
 C = 5.5 OR 7.9
 D = 6 OR 7.3



NOTES:

- 1) YELLOW POWDER COAT FINISH.
- 2) ONE CONDUCTOR GROUNDED TO REEL.
- 3) INCLUDES RATCHET AND BALLSTOP.
- 4) TYPE SOOW CABLE STANDARD.
- 5) SEVERAL STD SECONDARY OPTIONS INCLUDING LAMPS AND RECEPTACLES. SEE SHT 2.
- 6) 4 POSITION ADJUSTABLE CABLE GUIDE BRACKET.
- 7) NEMA 4 CONSTRUCTION. SEE RATINGS ON SHT 2
- 8) cULus LISTED (E59949) SEE LISTINGS ON SHT 2.
- 9) MAX RATING 600V (1-4 CONDUCTORS) OR 250V (5 OR MORE CONDUCTORS).
- 10) SLIP RINGS AVAILABLE FROM 35A TO 150A.
- 11) REEL FURNISHED WITH 1 TO 2 FEET OF INDIVIDUAL PRIMARY WIRES OF APPROPRIATE GAGE.
- 12) SHIPS WITH OWNERS MANUAL C8020576

| REV | REVISION DESCRIPTION | DATE | BY | CHKD | ECN NO. | TOLERANCES | DWG. APPROVALS | DATE | REV. |
|-----|----------------------|------|----|------|---------|----------------------------|----------------|------|------|
| A | INITIAL DESIGN | | | | | FRAC. ± 1/64 | | | |
| B | ADDED TABLE SHT 2 | | | | | .X ± .015 | | | |
| | | | | | | .XX ± .010 | | | |
| | | | | | | .XXX ± .005 | | | |
| | | | | | | ANGLES ± 1° | | | |
| | | | | | | UNLESS OTHERWISE SPECIFIED | | | |
| | | | | | | DO NOT SCALE | | | |
| | | | | | | B SIZE | | | |

DRAWN RWH 12/2/19
 CHK'D _____



ERICSON MANUFACTURING COMPANY
 1-800-ERICSON • www.ericson.com

DWG. TITLE
6000 SERIES CORD REEL
 FAMILY DRAWING

SCALE NTS PROJ NO. ---/-- SHEET 1 OF 2

DWG. UNIT NO. REV
6000 SERIES FAMILY B

| EMC PN | REV | DESCRIPTION | cULus E59949 | NEMA | VOLTS | AMPS | WATTS |
|---------------|-----|----------------------------------|-----------------|------|-------|------|-------|
| 6064-30 | A | REEL 30FT 6/4 TYPE W | YES | 4 | 600 | 45 | 27000 |
| 6083-20 | A | REEL 20FT 8/3 TYPE W | YES | 4 | 600 | 45 | 27000 |
| 6083-30 | A | REEL 30FT 8/3 TYPE W | YES | 4 | 600 | 45 | 27000 |
| 6083-40 | A | REEL 40FT 8/3 TYPE W | YES | 4 | 600 | 40 | 24000 |
| 6083-50 | A | REEL 50FT 8/3 TYPE W | YES | 4 | 600 | 40 | 24000 |
| 6084-20 | A | REEL 20FT 8/4 TYPE W | YES | 4 | 600 | 40 | 24000 |
| 6084-30 | A | REEL 30FT 8/4 TYPE W | YES | 4 | 600 | 40 | 24000 |
| 6084-40 | A | REEL 40FT 8/4 TYPE W | YES | 4 | 600 | 35 | 21000 |
| 6084-50 | A | REEL 50FT 8/4 TYPE W | YES | 4 | 600 | 35 | 21000 |
| 6103-100 | A | CBL REEL, 100' #10/3 SOOW | YES | 4 | 600 | 18.5 | 11100 |
| 6103-60 | A | REEL 60FT 10/3 SOOW | YES | 4 | 600 | 18.5 | 11100 |
| 6103-70 | A | CBL REEL, 70' #10/3 SOOW | YES | 4 | 600 | 18.5 | 11100 |
| 6103-80 | A | CBL REEL, 80' #10/3 SOOW | YES | 4 | 600 | 18.5 | 11100 |
| 6103-90 | A | CBL REEL, 90' #10/3 SOOW | YES | 4 | 600 | 18.5 | 11100 |
| 6104-100 | A | CBL REEL, 100' #10/4 SOOW | YES | 4 | 600 | 14 | 8400 |
| 6104-70 | A | CBL REEL, 70' #10/4 SOOW | YES | 4 | 600 | 14 | 8400 |
| 6104-80 | A | CBL REEL, 80' #10/4 SOOW | YES | 4 | 600 | 14 | 8400 |
| 6104-90 | A | CBL REEL, 90' #10/4 SOOW | YES | 4 | 600 | 14 | 8400 |
| 6105-60 | A | REEL 60FT 10/5 SOOW | YES | 4 | 600 | 14 | 8400 |
| 6105-70 | A | CBL REEL - 70' #10/5 SOOW | YES | 4 | 600 | 14 | 8400 |
| 6123-100 | A | CBL REEL, 100' #12/3 SOOW | YES | 4 | 600 | 16 | 9600 |
| 6123-100-B | A | REEL 100FT 12/3 SOOW w/6000 | YES | 2 | 125 | 16 | 2000 |
| 6123-70 | A | CBL REEL, 70' #12/3 SOOW | YES | 4 | 600 | 16 | 9600 |
| 6123-70-BG-20 | A | REEL 70FT 12/3 6100 w/ 5-20 GFCl | YES | 2 | 125 | 16 | 2000 |
| 6123-80 | A | CBL REEL 80' #12/3 SOOW | YES | 4 | 600 | 16 | 9600 |
| 6123-90 | A | CBL REEL, 90' #12/3 SOOW | YES | 4 | 600 | 16 | 9600 |
| 6124-100 | A | CBL REEL, 100' #12/4 SOOW | YES | 4 | 600 | 16 | 9600 |
| 6124-70 | A | CBL REEL, 70' #12/4 SOOW | YES | 4 | 600 | 16 | 9600 |
| 6124-80 | A | CBL REEL, 80' #12/4 SOOW | YES | 4 | 600 | 16 | 9600 |
| 6124-90 | A | CBL REEL, 90' #12/4 SOOW | YES | 4 | 600 | 16 | 9600 |
| 61410-50 | A | REEL 50FT 14/10 SOOW BLK | YES | 4 | 250 | 5.5 | 1375 |
| 61412-60 | A | REEL 60FT 14/12 SOOW BLK | YES | 4 | 250 | 5.5 | 1375 |
| 6143-100 | A | CBL REEL, 100' #14/3 SOOW | YES | 4 | 600 | 12 | 7200 |
| 6143-125 | A | CBL REEL, 125' #14/3 SOOW | YES | 4 | 600 | 10.5 | 6300 |
| 6143-70 | A | CBL REEL, 70' #14/3 SOOW | YES | 4 | 600 | 12 | 7200 |
| 6143-70-BG | A | REEL 70FT 14/3 6000 w/ 5-15 GFCl | YES | 2 | 125 | 12 | 1500 |
| 6143-80 | A | CBL REEL, 80' #14/3 SOOW | YES | 4 | 600 | 12 | 7200 |
| 6143-90 | A | CBL REEL, 90' #14/3 SOOW | YES | 4 | 600 | 12 | 7200 |
| 6144-100 | A | CBL REEL, 100' #14/4 SOOW | YES | 4 | 600 | 9 | 5400 |
| 6144-70 | A | CBL REEL, 70' #14/4 SOOW | YES | 4 | 600 | 9 | 5400 |
| 6144-80 | A | CBL REEL, 80' #14/4 SOOW | YES | 4 | 600 | 9 | 5400 |
| 6144-90 | A | CBL REEL, 90' #14/4 SOOW | YES | 4 | 600 | 9 | 5400 |
| 6163-100 | A | CBL REEL, 100' #16/3 SOOW | YES | 4 | 600 | 8 | 4800 |
| 6163-125 | A | CBL REEL, 125' #16/3 SOOW | YES | 4 | 600 | 7 | 4200 |
| 6163-150 | A | CBL REEL, 150' #16/3 SOOW | YES | 4 | 600 | 7 | 4200 |
| 6163-70 | A | CBL REEL, 70' #16/3 SOOW | YES | 4 | 600 | 8 | 4800 |
| 6163-80 | A | CBL REEL, 80' #16/3 SOOW | YES | 4 | 600 | 8 | 4800 |
| 6163-90 | A | CBL REEL, 90' #16/3 SOOW | YES | 4 | 600 | 8 | 4800 |
| 6164-100 | A | CBL REEL, 100' #16/4 SOOW | YES | 4 | 600 | 6.5 | 3900 |
| 6164-125 | A | CBL REEL, 125' #16/4 SOOW | YES | 4 | 600 | 6 | 3600 |
| 6164-70 | A | CBL REEL, 70' #16/4 SOOW | YES | 4 | 600 | 6.5 | 3900 |
| 6164-80 | A | CBL REEL, 80' #16/4 SOOW | YES | 4 | 600 | 6.5 | 3900 |
| 6164-90 | A | CBL REEL, 90' #16/4 SOOW | YES | 4 | 600 | 6.5 | 3900 |

| REV | REVISION DESCRIPTION | DATE | BY | CHKD | EON NO. |
|-----|----------------------|------|----|------|---------|
| | | | | | |
| | | | | | |
| | | | | | |
| | | | | | |
| | | | | | |
| | | | | | |
| | | | | | |
| | | | | | |
| | | | | | |
| | | | | | |
| | | | | | |

TOLERANCES
 FRAC. ± 1/64
 .X ± .015
 .XX ± .010
 .XXX ± .005
 ANGLES ± 1°
UNLESS OTHERWISE SPECIFIED
 DO NOT SCALE
 B SIZE

DWG. APPROVALS DATE REV.
 _____ _____ _____
 _____ _____ _____
 _____ _____ _____
 _____ _____ _____
 DRAWN RWH 12/2/19
 CHK'D _____



| | | |
|---|--------------------|--------------|
| DWG. TITLE 6000 SERIES CORD REEL FAMILY DRAWING | | |
| SCALE NTS | PROJ NO. ---/-- | SHEET 2 OF 2 |
| DWG. UNIT NO. 6000 SERIES FAMILY | | REV B |