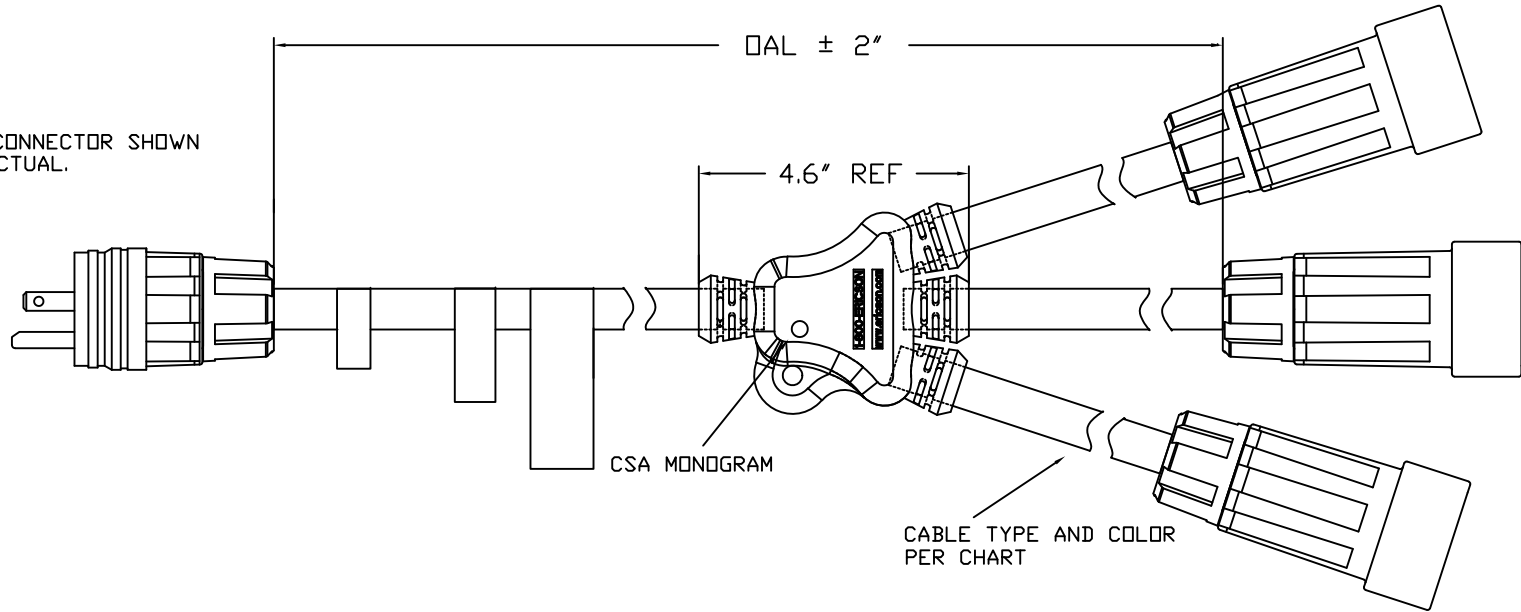


NOTES:

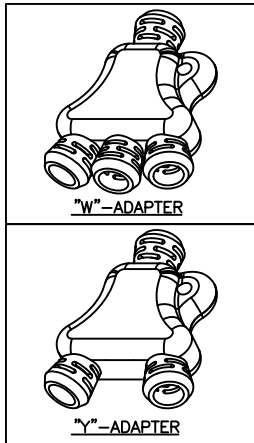
1. FOR RATINGS AND LISTING STATUS SEE CHART
 MULTI-CONDUCTOR CABLE DERATING PER NFPA-70-2008
 310.15 B(2) FOR 5-WIRE CABLE.
2. C CSA US CERTIFIED AS GENERAL USE CORDSET
3. AWG 14/3 AND AWG 10/3 MODELS AVAILABLE WITH
 PREMIUM SUPER VU-TRON CABLE BY REQUEST.

FINISHED Y'S & W'S
 W SHOWN, Y SIMILAR



WATERTITE CONNECTORS
 FURNISHED WITH SEALCAPS
 (NOT SHOWN)

SEE PART TABLES ON NEXT PAGES



REV	REVISION DESCRIPTION	DATE	BY	CHKD	ECN NO.
A	INITIAL DESIGN				

TOLERANCES
 FRAC. ± 1/64"
 .X ± .015
 .XX ± .010
 .XXX ± .005
 ANGLES ± 1°
UNLESS OTHERWISE SPECIFIED
DO NOT SCALE
 B SIZE

DWG. APPROVALS	DATE	REV.

DRAWN JMM 1/17/17
 CHK'D _____

Since 1918

ERICSON®

ENERGIZE, PROTECT, ILLUMINATE & CONNECT

ERICSON MANUFACTURING COMPANY
 1-800-ERICSON • www.ericson.com

DWG. TITLE		
SALES DWG Y & W FAMILY		
SCALE 1=1	PROJ NO. --/--	SHEET 1 OF 2
DWG. UNIT NO. S-Y-W FG FAMILY		REV A

ITEM	P/N	DESCRIPTION	OAL	THICKNESS	CABLE TYPE	PLUG	CONN	RATING	CSA
1	2634-A 1	CORDSET, Y, 3FT 14/3 W/ 1510-P 1610-C	3' 2.6"	1.31	YEL SEOW	NEMA 5-15P	NEMA 5-15C	125V 15A	Yes
2	2634-A 2	CORDSET, Y, 3FT 12/3 W/ 1510-P 1610-C	3' 2.6"	1.31	YEL SEOW	NEMA 5-15P	NEMA 5-15C	125V 15A	Yes
3	2634-B 1	CORDSET, Y, 3FT 14/3 W/ 1510-PW6P 1610-CW6P	3' 2.6"	1.31	YEL SEOW	NEMA 5-15P	NEMA 5-15C	125V 15A	Yes
4	2634-B 2	CORDSET, Y, 3FT 12/3 W/ 1510-PW6P 1610-CW6P	3' 2.6"	1.31	YEL SEOW	NEMA 5-15P	NEMA 5-15C	125V 15A	Yes
5	2634-C 1	CORDSET, Y, 3FT 14/3 W/ 1520-P 1620-C	3' 2.6"	1.31	YEL SEOW	NEMA L5-15P	NEMA L5-15C	125V 15A	Yes
6	2634-C 2	CORDSET, Y, 3FT 12/3 W/ 1520-P 1620-C	3' 2.6"	1.31	YEL SEOW	NEMA L5-15P	NEMA L5-15C	125V 15A	Yes
7	2634-D 1	CORDSET, Y, 3FT 14/3 W/ 1520-PW6P 1620-CW6P	3' 2.6"	1.31	YEL SEOW	NEMA L5-15P	NEMA L5-15C	125V 15A	Yes
8	2634-D 2	CORDSET, Y, 3FT 12/3 W/ 1520-PW6P 1620-CW6P	3' 2.6"	1.31	YEL SEOW	NEMA L5-15P	NEMA L5-15C	125V 15A	Yes
9	2634-E 1	CORDSET, Y, 3FT 12/3 W/ 2310-P 2410-C	3' 2.6"	1.31	YEL SEOW	NEMA L5-20P	NEMA L5-20C	125V 20A	Yes
10	2634-E 2	CORDSET, Y, 3FT 10/3 W/ 2310-P 2410-C	3' 2.6"	2.00	YEL SEOW	NEMA L5-20P	NEMA L5-20C	125V 20A	Yes
11	2634-F 1	CORDSET, Y, 3FT 12/3 W/ 2310-PW6P 2410-CW6P	3' 2.6"	2.00	YEL SEOW	NEMA L5-20P	NEMA L5-20C	125V 20A	Yes
12	2634-F 2	CORDSET, Y, 3FT 10/3 W/ 2310-PW6P 2410-CW6P	3' 2.6"	2.00	YEL SEOW	NEMA L5-20P	NEMA L5-20C	125V 20A	Yes
13	2634-G 1	CORDSET, Y, 3FT 10/3 W/ 2510-P 2610-C	3' 2.6"	2.00	YEL SEOW	NEMA L5-30P	NEMA L5-30C	125V 30A	Yes
14	2634-H 1	CORDSET, Y, 3FT 10/3 W/ 2510-PW6P 2610-CW6P	3' 2.6"	2.00	YEL SEOW	NEMA L5-30P	NEMA L5-30C	125V 30A	Yes
15	2634-I 1	CORDSET, Y, 3FT 12/4 W/ 2320-P 2420-C	3' 2.6"	2.00	YEL SOOW	NEMA L14-20P	NEMA L14-20C	250V 20A	Yes
16	2634-J 1	CORDSET, Y, 3FT 12/4 W/ 2320-PW6P 2420-CW6P	3' 2.6"	2.00	YEL SOOW	NEMA L14-20P	NEMA L14-20C	250V 20A	Yes
17	2634-K 1	CORDSET, Y, 3FT 12/4 W/ 2324-P 2424-C	3' 2.6"	2.00	YEL SOOW	NEMA L16-20P	NEMA L16-20C	480V 20A	No
18	2634-L 1	CORDSET, Y, 3FT 12/4 W/ 2324-PW6P 2424-CW6P	3' 2.6"	2.00	YEL SOOW	NEMA L16-20P	NEMA L16-20C	480V 20A	No
19	2634-M 1	CORDSET, Y, 3FT 12/5 W/ L21-20P L21-20C	3' 2.6"	2.00	BLK SOOW	NEMA L21-20P	NEMA L21-20C	120Y208V 20A	Yes

ITEM	P/N	DESCRIPTION	OAL	THICKNESS	CABLE TYPE	PLUG	CONN	RATING	CSA
1	2536-A 1	CORDSET, W, 3FT 14/3 W/ 1510-P 1610-C	3' 4"	1.31	YEL SEOW	NEMA 5-15P	NEMA 5-15C	125V 15A	Yes
2	2536-A 2	CORDSET, W, 3FT 12/3 W/ 1510-P 1610-C	3' 4"	1.31	YEL SEOW	NEMA 5-15P	NEMA 5-15C	125V 15A	Yes
3	2536-B 1	CORDSET, W, 3FT 14/3 W/ 1510-PW6P 1610-CW6P	3' 4"	1.31	YEL SEOW	NEMA 5-15P	NEMA 5-15C	125V 15A	Yes
4	2536-B 2	CORDSET, W, 3FT 12/3 W/ 1510-PW6P 1610-CW6P	3' 4"	1.31	YEL SEOW	NEMA 5-15P	NEMA 5-15C	125V 15A	Yes
5	2536-C 1	CORDSET, W, 3FT 14/3 W/ 1520-P 1620-C	3' 4"	1.31	YEL SEOW	NEMA L5-15P	NEMA L5-15C	125V 15A	Yes
6	2536-C 2	CORDSET, W, 3FT 12/3 W/ 1520-P 1620-C	3' 4"	1.31	YEL SEOW	NEMA L5-15P	NEMA L5-15C	125V 15A	Yes
7	2536-D 1	CORDSET, W, 3FT 14/3 W/ 1520-PW6P 1620-CW6P	3' 4"	1.31	YEL SEOW	NEMA L5-15P	NEMA L5-15C	125V 15A	Yes
8	2536-D 2	CORDSET, W, 3FT 12/3 W/ 1520-PW6P 1620-CW6P	3' 4"	1.31	YEL SEOW	NEMA L5-15P	NEMA L5-15C	125V 15A	Yes
9	2536-E 1	CORDSET, W, 3FT 12/3 W/ 2310-P 2410-C	3' 4"	1.31	YEL SEOW	NEMA L5-20P	NEMA L5-20C	125V 20A	Yes
10	2536-E 2	CORDSET, W, 3FT 10/3 W/ 2310-P 2410-C	3' 4"	2.00	YEL SEOW	NEMA L5-20P	NEMA L5-20C	125V 20A	Yes
11	2536-F 1	CORDSET, W, 3FT 12/3 W/ 2310-PW6P 2410-CW6P	3' 4"	2.00	YEL SEOW	NEMA L5-20P	NEMA L5-20C	125V 20A	Yes
12	2536-F 2	CORDSET, W, 3FT 10/3 W/ 2310-PW6P 2410-CW6P	3' 4"	2.00	YEL SEOW	NEMA L5-20P	NEMA L5-20C	125V 20A	Yes
13	2536-G 1	CORDSET, W, 3FT 10/3 W/ 2510-P 2610-C	3' 4"	2.00	YEL SEOW	NEMA L5-30P	NEMA L5-30C	125V 30A	Yes
14	2536-H 1	CORDSET, W, 3FT 10/3 W/ 2510-PW6P 2610-CW6P	3' 4"	2.00	YEL SEOW	NEMA L5-30P	NEMA L5-30C	125V 30A	Yes
15	2536-I 1	CORDSET, W, 3FT 12/4 W/ 2320-P 2420-C	3' 4"	2.00	YEL SOOW	NEMA L14-20P	NEMA L14-20C	250V 20A	Yes
16	2536-J 1	CORDSET, W, 3FT 12/4 W/ 2320-PW6P 2420-CW6P	3' 4"	2.00	YEL SOOW	NEMA L14-20P	NEMA L14-20C	250V 20A	Yes
17	2536-K 1	CORDSET, W, 3FT 12/4 W/ 2324-P 2424-C	3' 4"	2.00	YEL SOOW	NEMA L16-20P	NEMA L16-20C	480V 20A	No
18	2536-L 1	CORDSET, W, 3FT 12/4 W/ 2324-PW6P 2424-CW6P	3' 4"	2.00	YEL SOOW	NEMA L16-20P	NEMA L16-20C	480V 20A	No
19	2536-M 1	CORDSET, W, 3FT 12/5 W/ L21-20P L21-20C	3' 4"	2.00	BLK SOOW	NEMA L21-20P	NEMA L21-20C	120Y208V 16A	Yes

REV	REVISION DESCRIPTION	DATE	BY	CHKD	ECH NO.

TOLERANCES
 FRAC. ± 1/64"
 .X ± .015
 .XX ± .010
 .XXX ± .005
 ANGLES ± 1°
UNLESS OTHERWISE SPECIFIED
DO NOT SCALE
 B SIZE

DWG. APPROVALS	DATE	REV.

DRAWN JMM 1/17/17
 CHK'D _____

Since 1918



ENERGIZE, PROTECT, ILLUMINATE & CONNECT
ERICSON MANUFACTURING COMPANY
 1-800-ERICSON • www.ericson.com

DWG. TITLE **SALES DWG
Y & W FAMILY**

SCALE 1=1	PROJ NO. --/--	SHEET 2 OF 2
--------------	-------------------	--------------

DWG. UNIT NO. **S-Y-W FG FAMILY** REV **A**