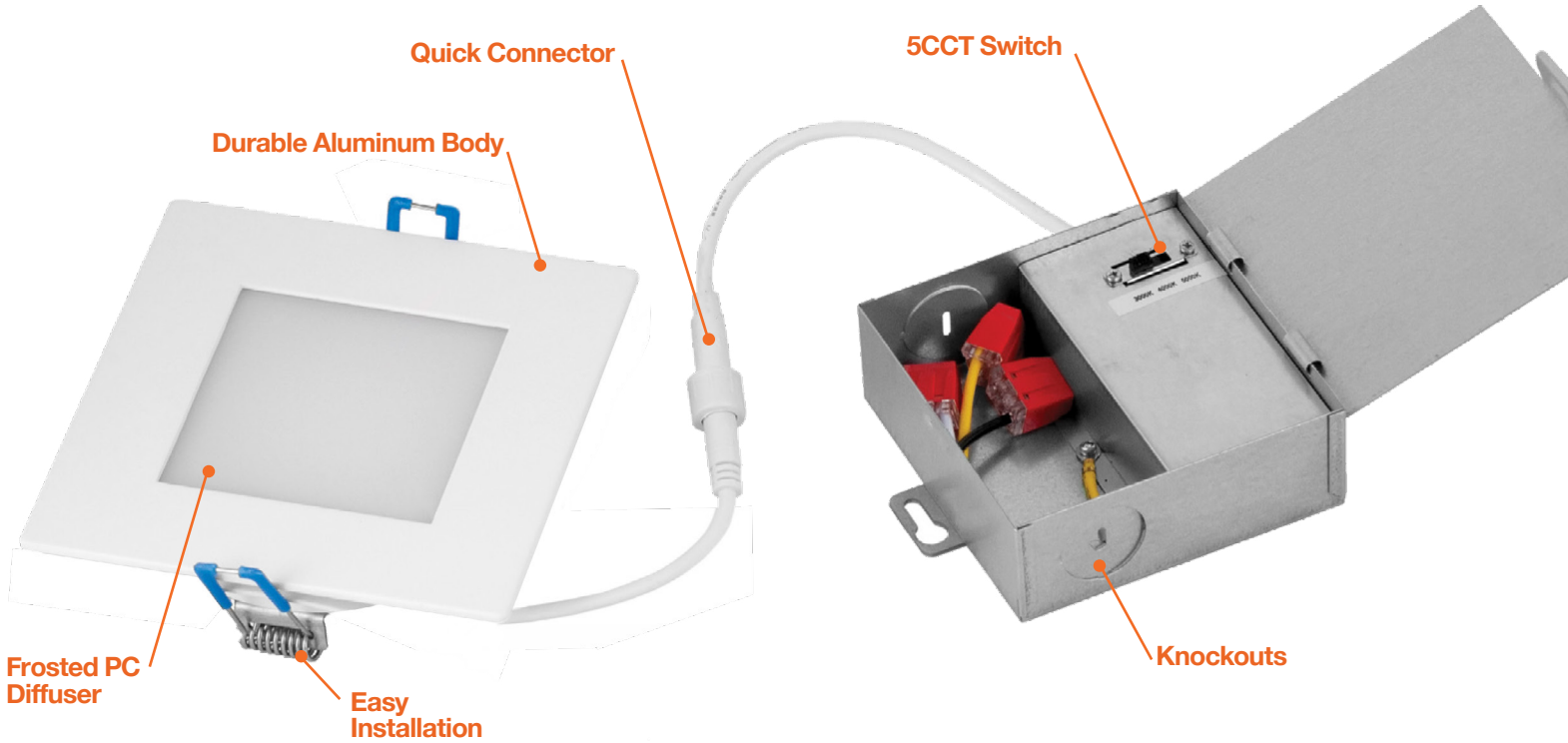


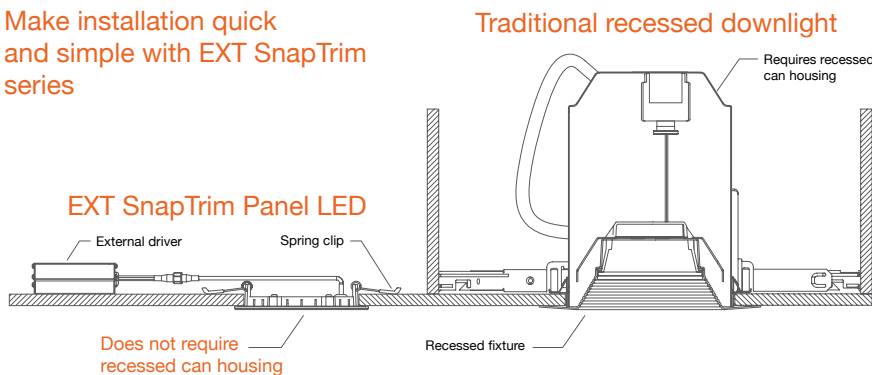
FEATURES



INSTALLATION

The slim panel LED redefines recessed downlight installations. The narrow design and remote driver box with the panel LED can be installed in confined, hard to reach spaces such as closets, bathrooms, hallways, stairwells, outside soffits and other areas that would have been nearly impossible with traditional recessed housings.

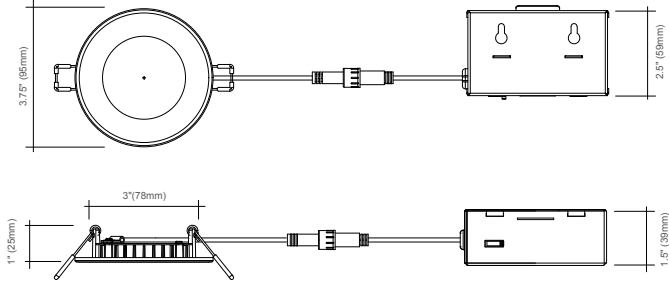
Make installation quick and simple with EXT SnapTrim series



DIMMER COMPATIBILITY				
Brand	Series	Model	Load	Dimmability
Lutron	Ariadni	AYCL-153P	150W	OK
	Diva	DV-600PR	600W	OK
	Diva	DVCL-153P	150W	OK
	Maestro	MACL-153MH	600W	OK
	Maestro Wireless	MRF2-6CL	150W	OK
	Rotary	D-600P	600W	OK
	Electronic(ELV)	NTElv-300P	600W	OK
	Skylark	S-600P	600W	OK
	Skylark Contour	CT-600P	600W	OK
	Skylark Contour	CTCL-153P	150W	OK
Leviton	Toggler	TG-600P	600W	OK
	Toggler	TGCL-153P	150W	OK
	Sureslide	6633	600W	OK
	Sureslide Decora	6674	600W	OK
Legrand	Trimatron	6672	600W	OK
	Sureslide	6613	600W	OK
Cooper	Adorne	DLV703	700W	OK
	Harmony	H703PTW	700W	OK
Cooper	Aspire	9530	1000W	OK
	Devine	DAL03P	300W	OK

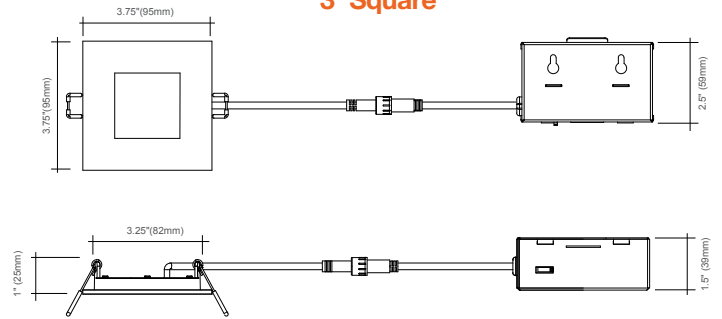
DIMENSIONS

3" Round



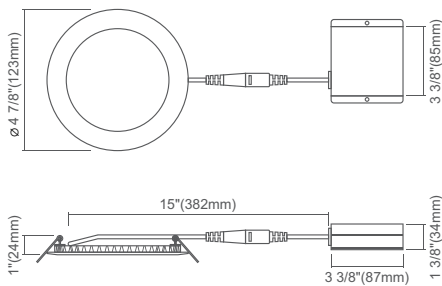
Cut Out: Ø3 1/4" (78mm)

3" Square



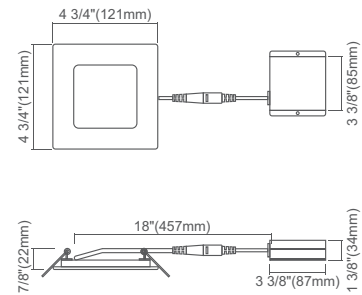
Cut Out: Ø3 1/4" (78mm)

4" Round



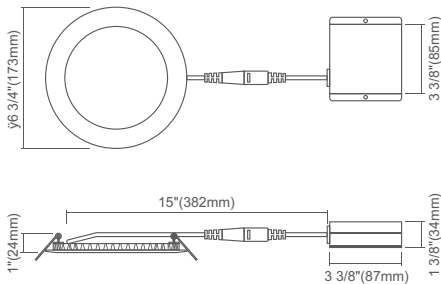
Cut Out: Ø4 1/4" (108mm)

4" Square



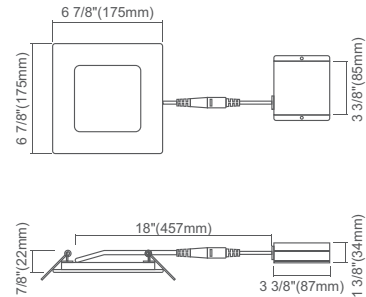
Cut Out: Ø4 1/4" (108mm)

6" Round



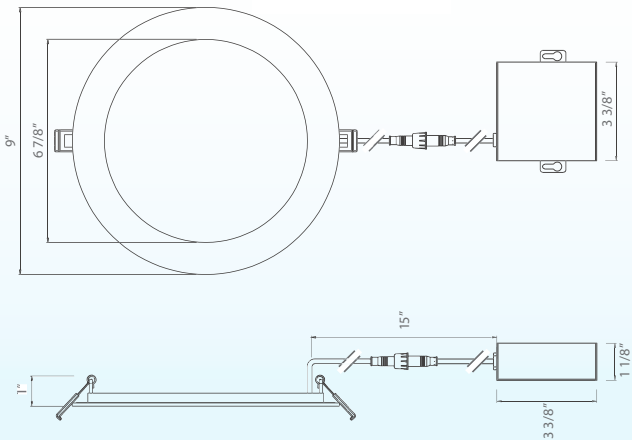
Cut Out: Ø6 1/4" (158mm)

6" Square



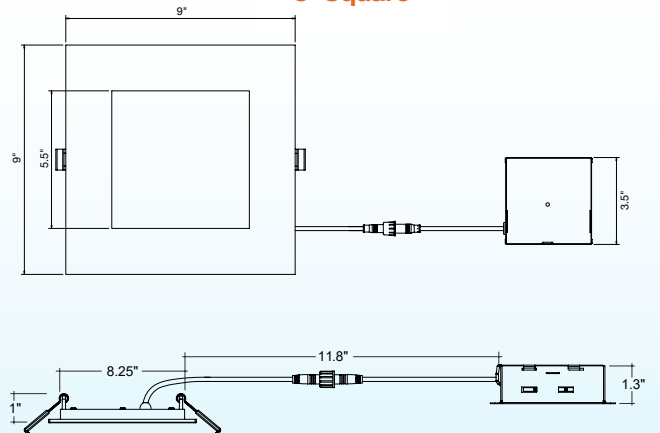
Cut Out: Ø6 1/4" (158mm)

8" Round



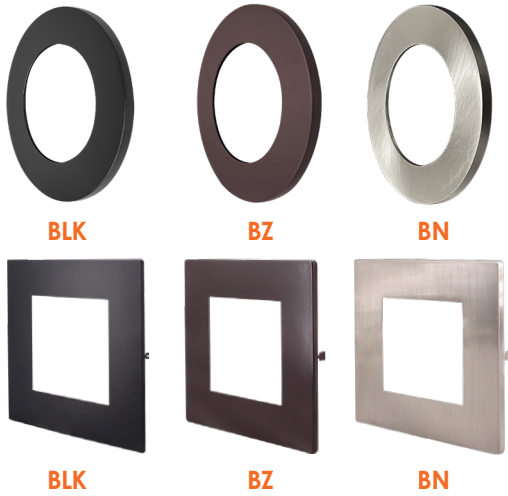
Cut Out: Ø8 1/4" (210mm)

8" Square



Cut Out: Ø8 1/4" (210mm)

CLIP-ON TRIMS



FIXTURE, TRIM, & ACCESSORY REFERENCE

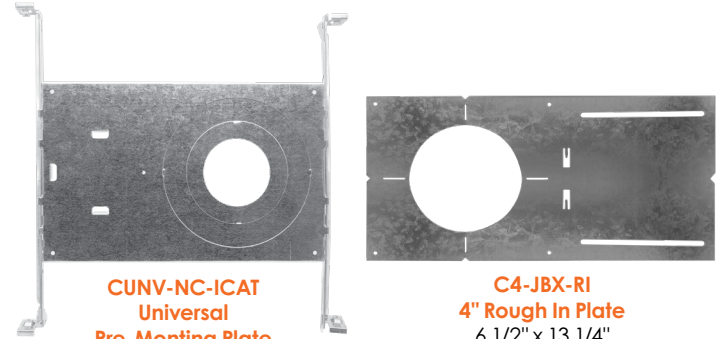
Fixture Model	Voltage	Watts	Lumens	Color	CRI
LED-SL-PNL-4R-3P12W-5CCT	120V	8/10/12w	500/700/840	5CCT	>90
LED-SL-PNL-4SQ-3P12W-5CCT	120V	8/10/12w	500/700/840	5CCT	>90
LED-SL-PNL-6R-3P15W-5CCT	120V	9/12/15w	750/950/1150	5CCT	>90
LED-SL-PNL-6SQ-3P15W-5CCT	120V	9/12/15w	750/950/1150	5CCT	>90
LED-SL-PNL-8R-3P22W-5CCT	120V	16/19/22w	1200/1400/1600	5CCT	>90
LED-SL-PNL-8SQ-3P22W-5CCT	120V	16/19/22w	1200/1400/1600	5CCT	>90

ACCESSORIES



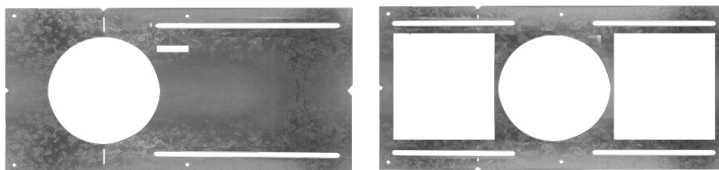
J-Box

JBX-EXT-3PIN
Extension Cable (6'/10')



CUNV-NC-ICAT
Universal
Pre-Mounting Plate
5 3/10" x 14 1/2"

C4-JBX-RI
4" Rough In Plate
6 1/2" x 13 1/4"



C6-JBX-RI
6" Rough In Plate
8 1/2" x 17 1/4"

C8-JBX-RI
8" Rough In Plate
10 1/2" x 26"



LED-EMB-25W-HV-0/10V

Trim Model	Description
SL-PNL-4R-TRIM-BLK	4" Round Black Finish Trim
SL-PNL-4R-TRIM-BZ	4" Round Bronze Finish Trim
SL-PNL-4R-TRIM-BN	4" Round Brushed Nickel Trim
SL-PNL-4SQ-TRIM-BLK	4" Square Black Finish Trim
SL-PNL-4SQ-TRIM-BZ	4" Square Bronze Finish Trim
SL-PNL-4SQ-TRIM-BN	4" Square Brushed Nickel Trim
SL-PNL-6R-TRIM-BLK	6" Round Black Finish Trim
SL-PNL-6R-TRIM-BZ	6" Round Bronze Finish Trim
SL-PNL-6R-TRIM-BN	6" Round Brushed Nickel Trim
SL-PNL-6SQ-TRIM-BLK	6" Square Black Finish Trim
SL-PNL-6SQ-TRIM-BZ	6" Square Bronze Finish Trim
SL-PNL-6SQ-TRIM-BN	6" Square Brushed Nickel Trim
SL-PNL-8R-TRIM-BLK	8" Round Black Finish Trim
SL-PNL-8R-TRIM-BZ	8" Round Bronze Finish Trim
SL-PNL-8R-TRIM-BN	8" Round Brushed Nickel Trim

Accessory Model	Description
JBX-EXT-6'-TRI	6' J-Box Connector 3-Pin Extension Cable
JBX-EXT-10'-TRI	10' J-Box Connector 3-Pin Extension Cable
JBX-11W-277-347V	200-347V Driver for 11W Fixture (4")
JBX-14W-277-347V	200-347V Driver for 14W Fixture (6")
JBX-18W-277-347V	200-347V Driver for 18W Fixture (8")
C4-JBX-RI	4" Rough-In Plate (6 1/2" x 13 1/4")
C6-JBX-RI	6" Rough-In Plate (8 1/2" x 17 1/4")
C8-JBX-RI	8" Rough-In Plate (10 1/2" x 26")
CUNV-NC-ICAT	2/3/4/6" Pre-Mounting Plate