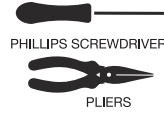


EMERGENCY BATTERY BACKUP MODULE

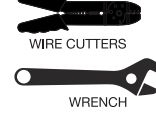


INSTRUCTIONS PERTAINING TO RISK OF FIRE OR INJURY
 READ INSTRUCTIONS CAREFULLY
IMPORTANT SAFETY INSTRUCTIONS
SAVE THESE INSTRUCTIONS



PHILLIPS SCREWDRIVER
 PLIERS

TOOLS REQUIRED



WIRE CUTTERS
 WRENCH

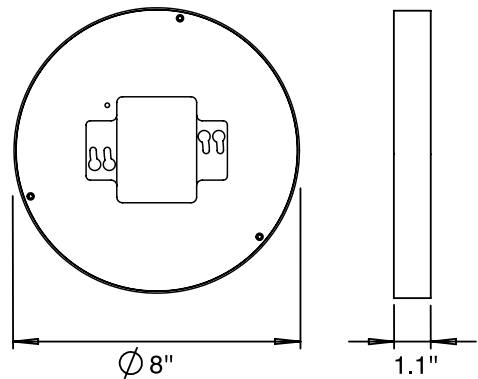
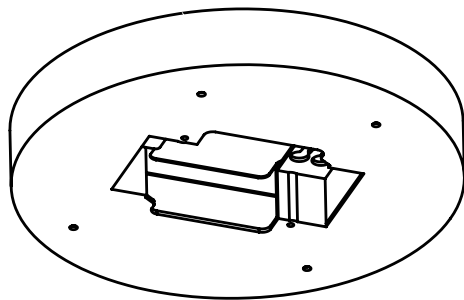
Wiring supplies as required by the Canadian Electrical code and/or the Quebec Electrical Code

SAFETY RECOMMENDATIONS

1. The lighting shall be mounted at a height of maximum 13ft.
2. Do not use outdoors
3. Do not mount near gas or electric heaters. Do not let power supply cords touch hot surfaces.
4. Use caution when charging batteries - **TURN OFF ALL POWER, BOTH WALL SWITCH AND MAIN POWER!** Use only designated battery as supplied with original unit or as listed for use with this product. Dispose old battery in designated disposal location.
5. Equipment should be mounted in locations and at heights where it will not be subjected to tampering by unauthorized personnel.
6. This product is designed for use with the 7" Round or 7" Square EnvisionLED product.
7. Do not use this product for any other than intended use.

ALL serving should be performed by professional personnel.

SAVE THESE INSTRUCTIONS



Test Button and LED Indicator

Test button functions

1. While main power is on:

A quick press of the test button, (3 seconds), simulates the “main power outage or emergency mode”. The light fixture will come on in this case- it will be running on battery power.

Pressing test button for 3-6 seconds puts the unit into the monthly self-check routine (approx. 3 minute run time).

Press test button again anytime to stop the routine.

As the system runs its check on the battery power and circuit connections, the LED indicator will flash green at 1 cycle/second.

Pressing test button for 6 seconds puts the unit into the annual self-check routine.

(Up to 90 minute run-time).

NOTE: The system will completely discharge the battery during the routine.

Press test button again anytime to stop the routine.

As the system runs its more detailed annual check on the battery power and circuit connections, the LED indicator will quickly flash green at 3 cycle/second.

2. While in Emergency Status (main power outage):

Pressing test button for 6 seconds shuts off the unit. Press again to turn back on.

Pressing test button for 6 seconds completely shuts off emergency output. In this state, the system will not function unless the main power is reset.

LED Indicator Colors/Functions:

RED: Battery is charging

GREEN: Battery is full charge

YELLOW: Check system- possible battery replacement needed or system maintenance required.

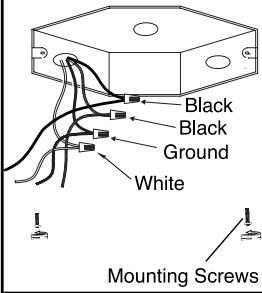
GREEN FLASHING: Monthly or annual checking mode is running.

OFF: Indicates a power outage. When the battery backup unit is in emergency mode the LED indicator will be OFF.

MINIMUM CHARGE TIME: 24 hours.

Option #1: Slim Surface Light

Electrical Outlet Box

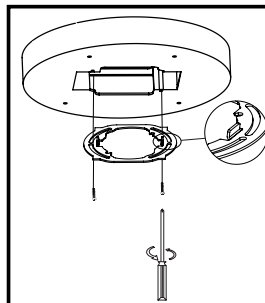


STEP 1

Connect supply wire to wire on fixture with wire nuts or push wires into quick connector. Connect white to white, black to black and copper wire to copper wire as grounding connection.

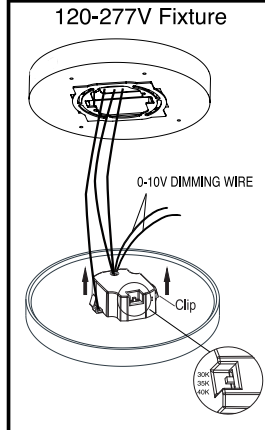
STEP 2

Screw the emergency backup unit into the junction box using the 2 - 8/32" screws provided. Then using the wire connect the 3 wires available for connection into junction box.



STEP 3

Secure the mounting plate to the battery box bracket with the flange facing down.



STEP 4

Completing the installation by pushing the fixture into the mounting plate.

