

UFO highbay

RHB3 UFO High Bays
3-CCT + 3-Power Selectable



| WATT | LUMENS |
|------|--------|
| 60 | 8,400 |
| 100 | 14,000 |
| 150 | 21,000 |
| 180 | 25,200 |
| 210 | 29,400 |
| 240 | 33,600 |

Detail Specifications:

- Finish: Black or White
- IP Rating: Wet Location
- Beam Angle: 110°
- Chip: SMD 2835, R9 >50, CRI >80
- 3 Step MacAdam Ellipses
- Operating Temperature: -40° - 113° F
- With Sensor: -22° - 113° F
- Lens: Clear Acrylic
- Average life (L70) of 70,000 hours

Applications:

- Warehouse/Distribution Facility
- Utility & Storage
- Garage Structures
- Commercial and Industrial

Product Information:

- Sturdy die-cast aluminum housing finished with corrosion free powder coat
- Replace existing fixtures or use in new construction
- Instant-On to full brightness
- Select-n-Switch Technology: 3-CCT + 3-Power Selectable
- Twist-C Control: Control ready receptacle built into each fixture

Driver Options:

- UNV: 120-277V 0-10V Dimmable
- HV: 277-480V 0-10V Dimmable
- THD: <20% (+/-5% tolerance), PF >0.9, 50/60Hz
- Flicker Free

Mounting & Installations:

- 6' whip included
- Optional pendant mount for 1/2" pipe available
- Optional surface mount kits available

Certifications:

- UL Listed for USA and CA
- DLC Listed
- ROHS Compliant
- Approved for CA T24
- 5 Year Limited Warranty
- FCC CFR 47, GCC Part 15, Subpart B:2017

| Series | Finish | Whip | Voltage 1 | EMB | Surge Protector |
|---------------------------------------|--------------------|--------------------------------------|----------------------------|--|--------------------------------|
| LED-RHB3-3P150W-CTRI | BL Black | 6 6' Whip (Incl.) | (Blank) 120-277V | (Blank) No Emergency Backup | (Blank) 6KV Built In |
| 60/100/150W 35/40/50K 120-277V | WH White | CS Extend to Custom Length | HV 1 347-480V | EMB 90 Minute Emergency Backup | 20KV Surge Protector |
| LED-RHB3-3P240W | | | | SEMB Surface Mount 90 min Emergency Backup | |
| 180/210/240W 35/40/50K 120-277V | | | | | |

1. Production item for high voltage

Optional Accessories (Order Separately)

| Sensors | Remote for Sensors | Reflector | Reflector Bottom Cover | Wire Guards | Mounting Kits | Emergency Backup |
|---|------------------------|--|--|---|---|---|
| HB01DMS-A Bi-Level Motion + Daylight Sensor | HB03R Remote | RHB3-100/150-ALM-RF-90 Aluminum Reflector for 100 & 150W | RHB3-UNV-ACR-BC 90° Acrylic Reflector for 100 & 150W | RHB3-100/150-WG Wire Guard for 100 & 150W | RHB-100/150-SM Surface Mount Kit for 100 & 150W | LED-EMB-30W-HV-UFO Emergency Backup |
| | | RHB3-240-ALM-RF-90 Aluminum Reflector for 240W | RHB3-100/150-ACR-RF 90° Acrylic Reflector for 100 & 150W | RHB3-240-WG Wire Guard for 240W | RHB-240-SM Surface Mount Kit for 240W | UFO-TEST-CTR Test Button Controller |
| | | RHB3-240-ACR-RF 90° Acrylic Reflector for 240W | | | RHB-PDM-HK 1/2" Pip Pendant Mount | UFO-TEST Test Button Controller |

1. Reflectors and wire guards can't be mixed together. i.e. if fixture uses a reflector, it won't work with a wire guard.
2. Custom emergency backup option available in surface mount applications. Contact us for more information.

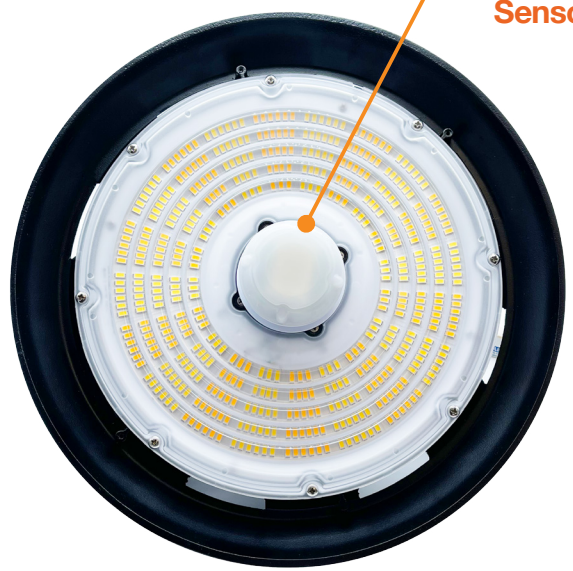
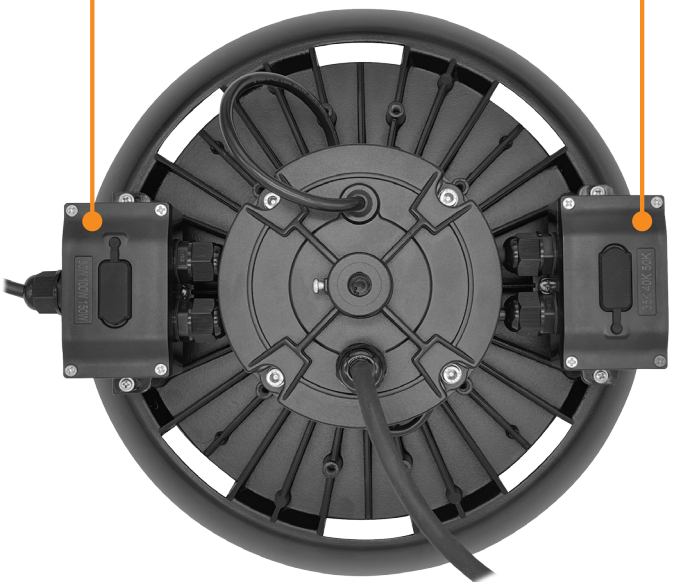
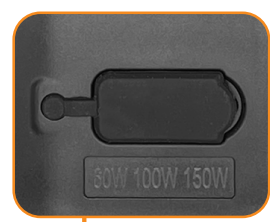
Specs and model numbers are subject to change with or without notice.

FEATURES



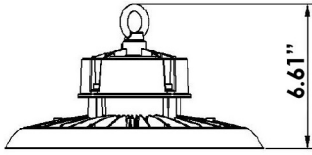
3-Power Selectable

3-CCT Selectable

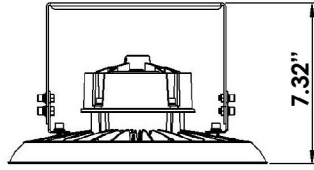


DIMENSIONS

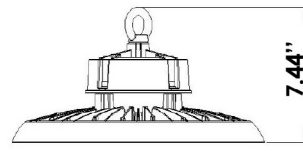
Pendant Mount



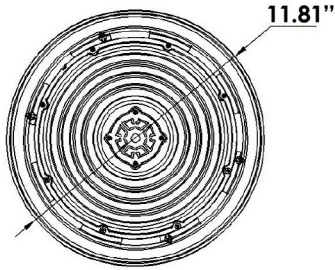
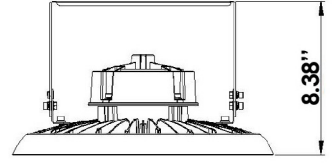
Surface Mount



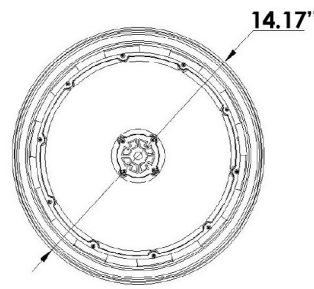
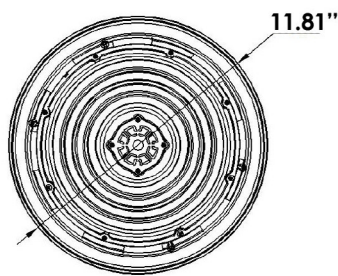
Pendant Mount



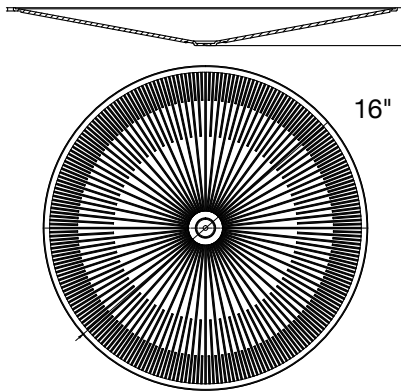
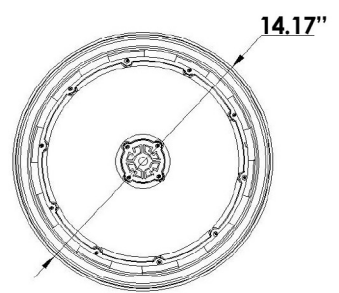
Surface Mount



3P150W



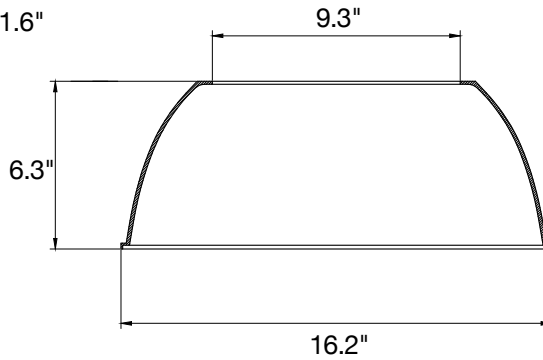
3P240W



Acrylic Bottom Cover (90°)

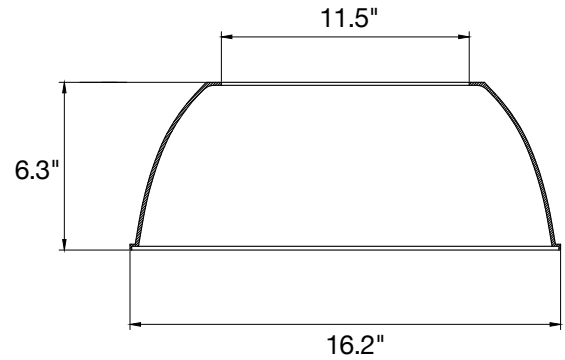
RHB3-UNV-ACR-BC

Only Compatible with ACR Reflectors



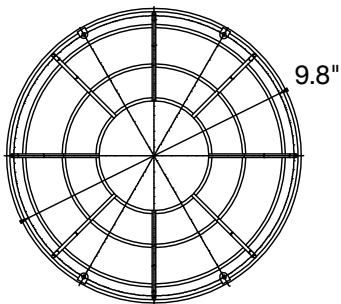
Acrylic Reflector (90°)

RHB3-100/150-ACR-RF



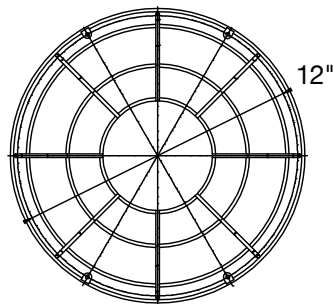
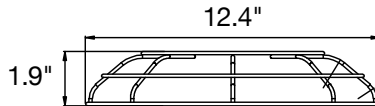
Acrylic Reflector (90°)

RHB3-240-ACR-RF



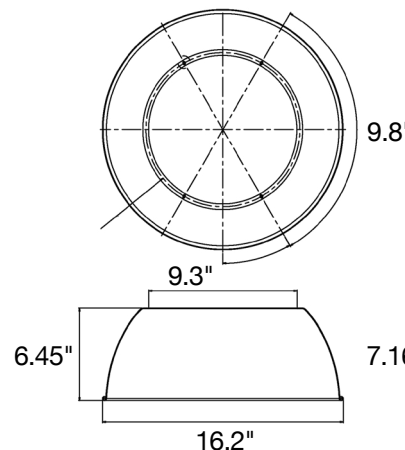
Wire Guard

RHB3-100/150-WG



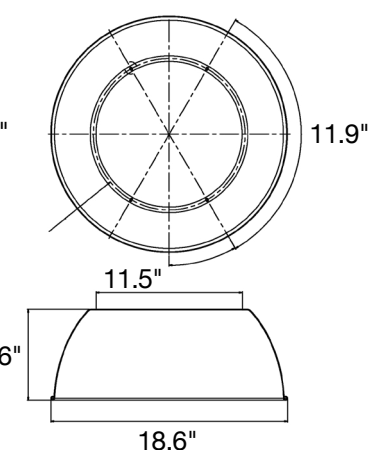
Wire Guard

RHB3-240-WG



Aluminum Reflector

RHB3-100/150-ALM-RF-90



Aluminum Reflector

RHB3-240-ALM-RF-90

RHB3 UFO High Bays

3-CCT + 3-Power Selectable

| Model | Voltage | Watts | Lumens | Color | CRI |
|---------------------------|----------|--------------|---------|-----------|-----|
| LED-RHB3-3P150-CTRI-BL-6' | 120-277V | 60/100/150w | 130lm/w | 35/40/35k | >80 |
| LED-RHB3-3P150-CTRI-WH-6' | 120-277V | 60/100/150w | 130lm/w | 35/40/35k | >80 |
| LED-RHB3-3P240-CTRI-BL-6' | 120-277V | 180/210/240w | 130lm/w | 35/40/35k | >80 |
| LED-RHB3-3P240-CTRI-WH-6' | 120-277V | 180/210/240w | 130lm/w | 35/40/35k | >80 |



RHB30100/150-ALM-RF-90
RHB3-240-ALM-RF-90



RHB3-100/150-ACR-RF
RHB3-1240-ACR-RF



RHB3-UNV-ACR-BC



Acrylic Reflector
Bottom Cover & Sensor



RHB3-100/150-WG
RHB3-240-WG



RHB-PDM-HK



RHB-100/150-SM
RHB-240-SM



LED-EMB-30W-HV-UFO



UFO-TEST-CTR



HB03R



HB01DMS-A

REFLECTORS

| Accessory Model | Description |
|------------------------|---------------------------------------|
| RHB3-100/150-ALM-RF-90 | 90° Aluminum reflector for 100 & 150W |
| RHB3-240-ALM-RF-90 | 90° Aluminum reflector for 240W |
| RHB3-100/150-ACR-RF | 90° Acrylic reflector for 100 & 150W |
| RHB3-240-ACR-RF | 90° Acrylic reflector for 240W |

REFLECTOR BOTTOM COVERS

| Accessory Model | Description |
|-----------------|--------------------------|
| RHB3-UNV-ACR-BC | Acrylic Bottom Cover 90° |

WIRE GUARDS

| Accessory Model | Description |
|-----------------|---------------------------|
| RHB3-100/150-WG | Wire guard for 100 & 150W |
| RHB3-240-WG | Wire guard for 240W |

MOUNTING KITS

| Accessory Model | Description |
|-----------------|------------------------------|
| RHB-PDM-HK | Pendant Mount Hook 1/2" Pipe |
| RHB-100/150-SM | 100/150w Surface Mount |
| RHB-240-SM | 240w Surface Mount |

EMERGENCY BACKUP

| Accessory Model | Description |
|--------------------|------------------------------|
| LED-EMB-30W-HV-UFO | 30W Pendant Emergency Backup |
| UFO-TEST-CTR | Test Button Controller |

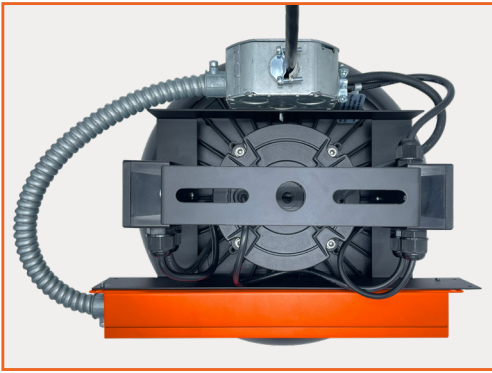
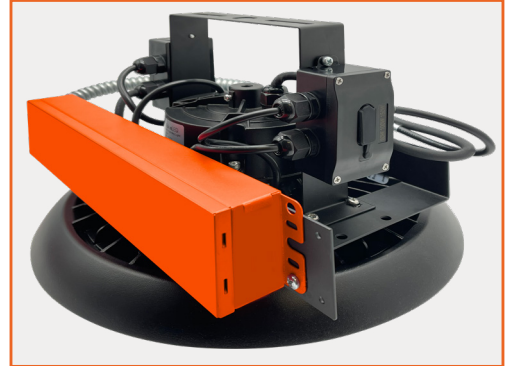
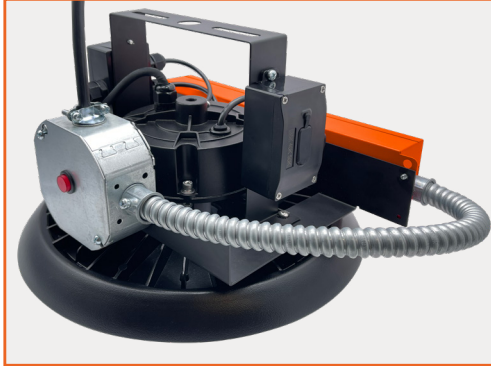
REMOTE CONTROL

| Accessory Model | Description |
|-----------------|---------------------------|
| HB03R | Remote for HB-Line Series |

SENSOR

| Accessory Model | Description |
|-----------------|--|
| HB01DMS-A | A Default Setting • Brightness: 100% Hold Time: 1 Min. • Stand-By Dimming Level: 20% • Stand-By Time: 1 Min. Sensitivity: 100% • Daylight: Disable |

SURFACE EMERGENCY BACK-UP (SEMB)



EMERGENCY BACK UP (EMB)

