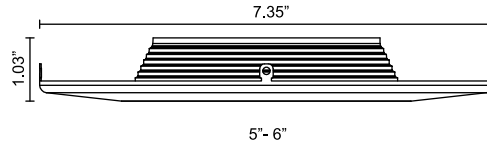
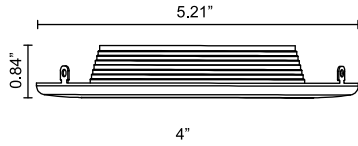


Installation of Interchangeable Recessed Trim

Dimensions



Optional

Baffle Trim

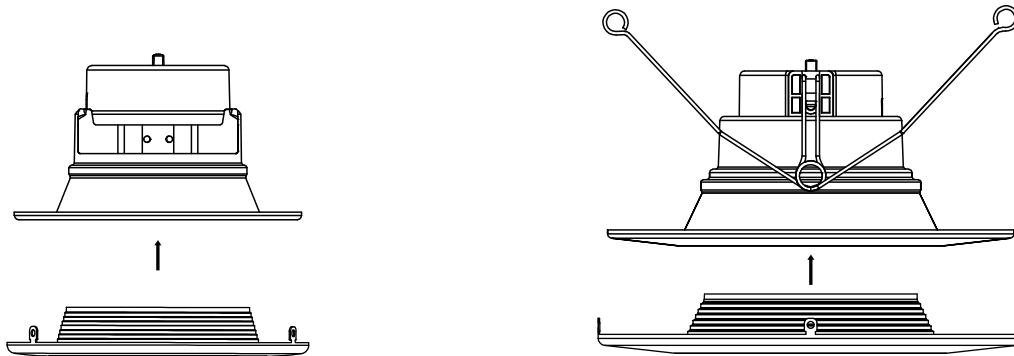
- White
- Brushed Nickel
- Black
- Bronze

Smooth Trim

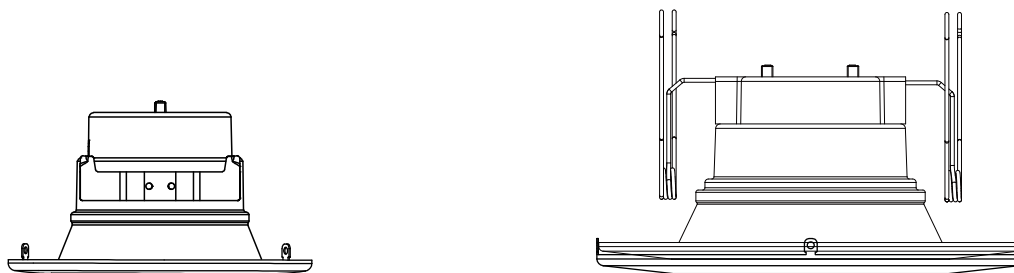
- White
- Brushed Nickel
- Black
- Bronze

Easy Installation without tools

1. Choose the corresponding interchangeable trim according to the size of downlight.



2. Cover the interchangeable trim on the downlight.



3. Flatten each protruding part that fixed on the downlight.

