

1" Mini Low Voltage Downlight

EnVision LED has developed a line of 1" Mini Low Voltage Downlights. These downlights feature a trim-changable module. Trim changing accessories include: black round, bronze round, white square, black square, and bronze square finishes that fits on any of the modules available for purchase. By reducing material cost and installation time, the EnVision Mini Downlight is the ideal retrofit or new construction recessed low voltage lighting solution yet. Simply cut a hole in the ceiling, power the J-Box to the wall switch, and push the trim flush.

Applications:

- Recessed Downlight
- Dry Wall & Hard Ceiling

Product Information:

- ETL certified
- Low-voltage daisy chain wiring
- 5-100% dimming with compatible electronic dimming drivers
- Smaller lamp body for flexible application

LED-MDL-1-6W-30K-Trim-12V-Options-Accessories-Warranty

1 2 3 4 5 6 7

1 Product

LED-MDL-1 1" Mini Low Voltage Downlight

2 Wattage

6W (500lm)

3 Color

30K 3000K

4 Trim

RD Round
SQ Square

5 Options

(Blank) White Round Trim
RD-BLK Black Round Trim
RD-BZ Bronze Round Trim
SQ-WH Square White Trim
SQ-BLK Square Black Trim
SQ-BZ Square Bronze Trim

6 Accessories

(Blank) None
MDL-24° 1" Mini Downlight
-OPTIC Optic Lens 24°

7 Warranty

(Blank) 5 Years (Incl.)
10YR 10 Years

Specs and model numbers are subject to change with or without notice. Customization of product is available.

FEATURES**Instant Start**

No flickering or humming
Light is soft and uniform
while easy on the eyes



Cut Out Hole
Ø2"

Dimmable:

5-100% dimming with
compatible electronic
dimming drivers

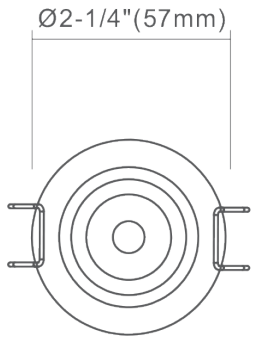
Easy Install

Smaller lamp body allows
for flexible installation
applications, along with
snapping springs

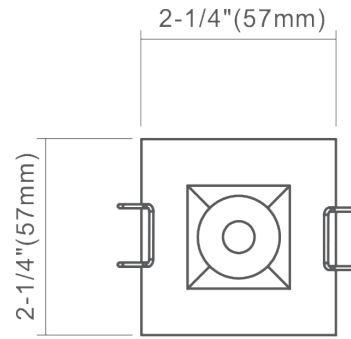
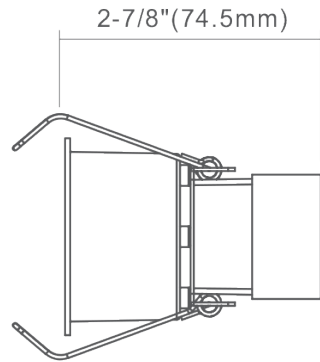
Rugged Aluminum Housing

Robust die-cast aluminum
housing includes corrosion
resistant primer and powder
coat finish

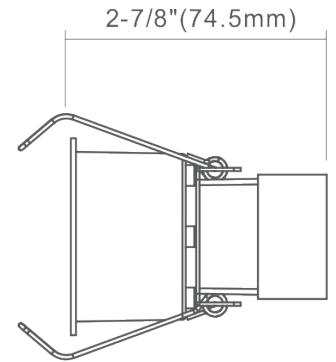
DIMENSIONS



1" Mini Round



1" Mini Square



Ceiling Cut-Out Hole Size: Ø2"

OPTIONAL ACCESSORIES

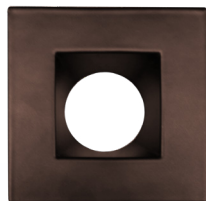
Changeable Trims



-BZ



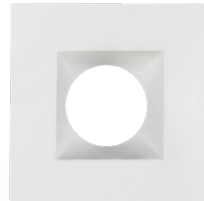
-BLK



-BZ



-BLK

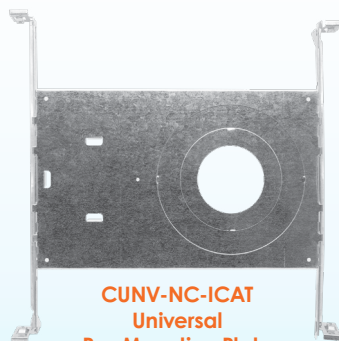


-WH



MDL-24° OPTIC

Accessory Model	Description
MDL-TRIM-RD-BLK	1" Mini Downlight Round Black Trim
MDL-TRIM-RD-BZ	1" Mini Downlight Round Bronze Trim
MDL-TRIM-SQ-WH	1" Mini Downlight Square White Trim
MDL-TRIM-SQ-BLK	1" Mini Downlight Square Black Trim
MDL-TRIM-SQ-BZ	1" Mini Downlight Square Bronze Trim
MDL-24°-OPTIC	1" Mini Downlight Optic Lens 24°



CUNV-NC-ICAT
Universal
Pre-Mounting Plate
5 3/10" x 14 1/2"



6' / 10' Extension Cable