

Project: _____
 Part#: _____
 Type: _____



Wall Pack Full Cutoff

5-Power + 3 CCT Switchable

Light up your outdoor area with the EnVision Bolt Series, a line of outdoor fixtures with high lumen per watt efficacy. The Bolt Wall Packs are available in a variety of different styles: non-cutoff, fully cut-off, semi cut-off, adjustable, and a rotatable up/down light. EnVision's full cut off wall pack is industry leading with a slim architectural design that features an optic lens that provides forward-throw light. Now with 5 different wattages, and 3 different color temperatures, all in one single fixture!

*Photocell Included
 (Easily disconnectable)*

Detail Specifications

- Operating temperature -4 -- + 124 F°
- PF >0.9 / Input: .85A/ Output: 36-66V DC

Why pick the EnVision Wall Pack?:

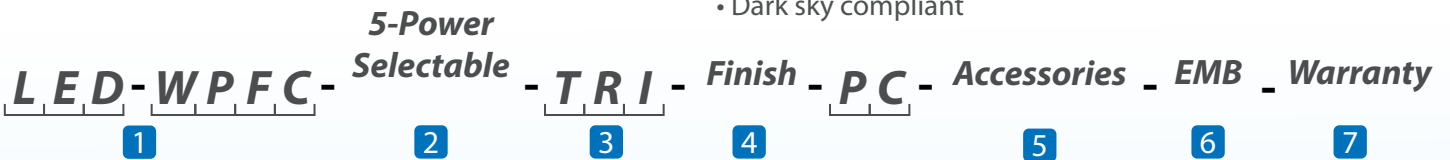
- Each wall pack is tested for 120 hours before being packed and shipped
- Optic lens provides forward throw light
- Easy installation with twistable screw knock-outs
- 5 year limited warranty. 10 year warranty available.

Applications:

- General outdoor lighting
- Landscape lighting
- Pathways, streets, loading areas, etc.

Product Information:

- Photocell included (Easily disconnectable)
- Sturdy die-cast aluminum housing finished with corrosion free powder coat
- Suitable for wet location, professionally waterproofed IP67
- Optional photocell available
- Average life (L70) of 70,000 hours with the integration of Philips Lumileds 3030 chips
- Dark sky compliant

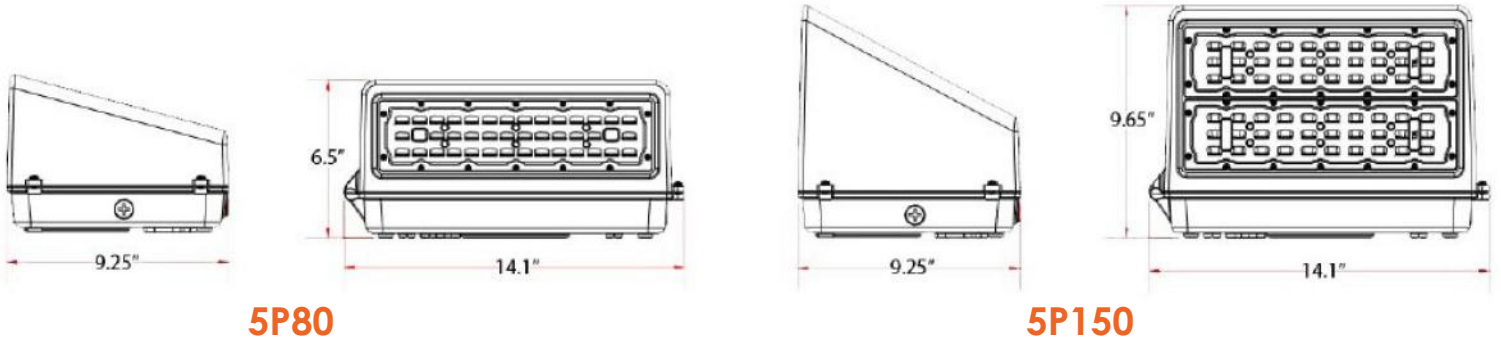


1 Product	2 5-Power Switchable	3 Color	4 Finish	5 Accessories	6 Emergency	7 Warranty
LED-WPFC	80/64/48/32/16W	TRI	BZ	(Blank)	(Blank)	5 Year (incl.)
5P80	11,600lm (80W) / 9,280lm (64W)	3 CCT Switchable	Custom	None (Blank)	None (Blank)	10 Year
5P150	6,960lm (48W) / 4,640 (32W) / 2,320 (16W)	30/40/50K		BMS	Emergency Backup	
	150/120/90/60/30W			Motion Sensor (Attached)	(90 Mins. Internal 20W)	
	21,750lm (150W) / 17,400lm (120W)					
	13,050lm (90W) / 8,700 (60W) / 4,350 (30W)					

**Custom colors available.
 7-10 day lead time,
 colors include white, black, etc.*

Specs and model numbers are subject to change with or without notice

DIMENSIONS



5P80

5P150

FEATURES

Top Knockout

Several knockout options for easy installation

Reliable LED Chips

Philips 3030 LED chips for longevity, consistent color, and reliability

Optic Lens

Each chip is controlled in order to provide forward throw light output

Twisting Knockouts

Knockouts easily twist in and out. They also have a rubber waterproof coating.

Easy Open

Open and close the access to the driver easily with swinging door knobs

5-Wattages and 3 Colors

Choose between 5 different wattages, and 3 colors by simply flicking a switch! Eight different fixtures in one!

