

Project: \_\_\_\_\_  
 Part#: \_\_\_\_\_  
 Type: \_\_\_\_\_

# Non-Cutoff Wall Pack



Available in Custom Finish\*

\*Custom finishes include white, black, gray, and custom.. 7 Day lead time required. Please contact us for pricing based on qty. for custom finish orders.

### Detail Specifications

- Operating temperature -4 -- + 104 F°
- PF >0.9 / Input: .85A/ Output: 36-66V DC

### Why pick the EnVision Wall Pack?:

- Each wall pack is tested for 120 hours before being packed and shipped
- Optic lens provides forward throw light
- Easy installation with twistable screw knock-outs
- 5 year limited warranty. 10 year warranty available.

The EnVision LED Wall Pack fixture is powerful, waterproof, and is compatible with universal voltage. Equipped with a die-cast aluminum housing, finished with a matt bronze powder paint, and anti-corrosion priming. EnVision LED uses a glass lens to avoid yellowing. Enjoy a powerful lumen output with our efficient Wall Pack that achieves over 115-120lm/w qualifying for DLC Premium.

### Applications:

- General Outdoor Lighting
- Landscape Lighting
- Commercial Lighting

### Product Information:

- Sturdy die-cast aluminum housing finished with corrosion free powder coat
- Suitable for wet location, professionally waterproofed IP67
- Optional photocell available
- Average life (L70) of 70,000 hours with the integration of Philips Lumileds 3030 chips

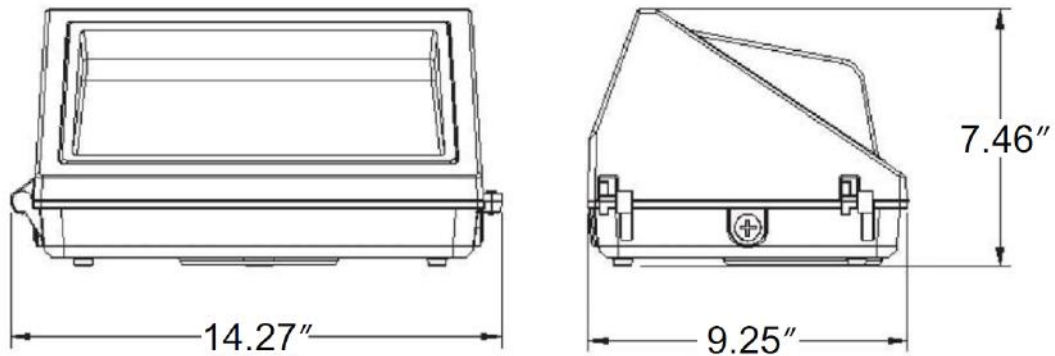
**L E D - W P F - Watts - Color - 0 - 1 0 V - Finish - Accessories - EMB - Warranty**

1 2 3 4 5 6 7 8

1 Product	2 Watts	3 Color	4 Driver	5 Finish	6 Accessories	7 Emergency	8 Warranty
LED-WPF	40W / 4,800lm 60W / 7,200lm 80W / 9,600lm 120W / 14,400lm	40K 4000K 50K 5000K	0-10V 0-10V Dim (120V-277V)	BZ Bronze WH White BLK Black GR Grey CS Custom*	(Blank) None PC Photocell MS On/Off Sensor BMS Bi-Level Sensor	(Blank) None EMB Emergency Backup	(Blank) 5 Year (incl.) 10YR 10 Year

\*Custom colors available. 7-10 day lead time, colors include white, black, etc.

Specs and model numbers are subject to change with or without notice

**DIMENSIONS****FEATURES****Waterproof**

EnVisions outdoor fixtures are all fully waterproof. Waterproofing material is used throughout the fixture.

**Light Dispersion**

Forward throw light for extended mounting height ratio 100° Beam Angle

**Finish**

Architectural bronze finish on aluminum di-cast with anti-corrosion spray. (Custom color finishes available with 7 day lead time)

**Easy Open**

Don't get stuck on the job. EnVision uses phillips head screws to easily open and close the fixture during install.

**Efficient Lighting**

EnVision LEDs chips achieve over 115lm/w on the 60W and 80W Wall Pack fixture and 120lm/w on the 120W.