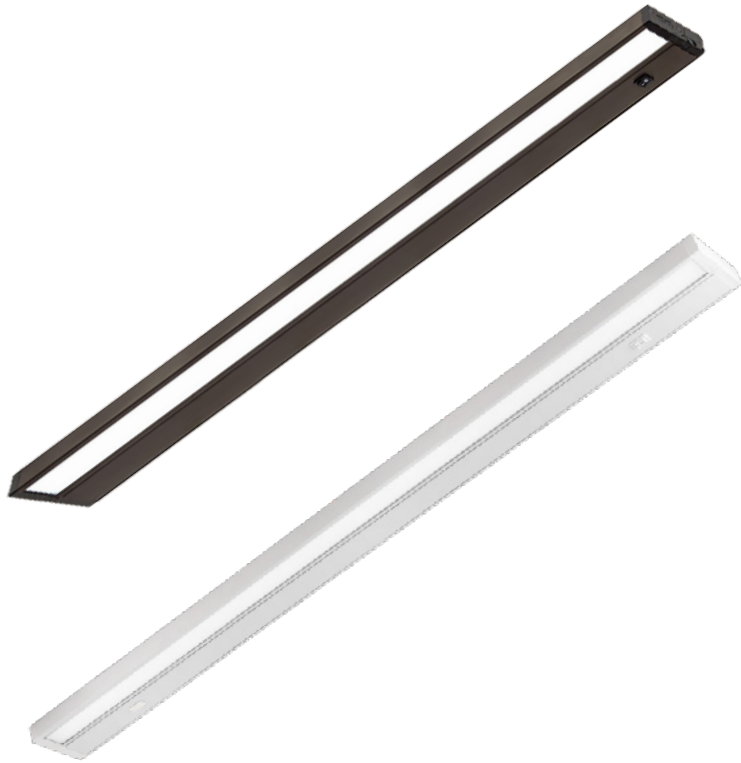


## Undercabinet Bar Light

Many LED Undercabinet fixtures exist on the market. Why EnVision? We gathered several competitor fixtures and developed a fixture superior to them all. The EnVision undercabinet LED fixture is easy to use and install. Install the fixture by mounting it directly to the surface of the desired location. Simply open the mounting screw cover for easy access and easy installation. With a variety of lengths, colors, and options available, be sure to find the perfect fixture. The light turns on instantly, and is not affected by frequent on/off switching.



### Product Information:

- Fixture does not include toggle switch
- Increase energy savings and shorten payback period
- Dimmable: Compatible with most dimmers down to 5%
- Instant-on to Full Brightness
- Link fixtures together with a linkable connector
- UV and IR free

### Applications:

- Undercabinet Lighting
- Hospitality Lighting
- Residential Lighting

### Detail Specifications:

- Average life (L70) of 50,000 hours with the integration of an edge-lit design using 3030 chips
- Operating temperature -4 -- + 114 F°
- PF >0.9 / Input: .85A/ Output: 36-66V DC

### End Connectors

Daisy chain multiple fixtures

### Edge-Lit Technology

Produces uniform, diffuse light

### Hardware Knockouts

No external wiring necessary

- Toggles between selectable colors, as well as high & low light intensity modes
- Frosted lens will not yellow or deform over time
- Use jumper connectors to daisy-chain multiple fixtures
- Compatible with most dimmers (e.g. Lutron DVCL-153P)
- Install as a hardwire or use included power cord
- Built-in screws in the front make installation easy

## LED - UC - Size/Wattage - Color - Finish - Warranty

1

2

3

4

5

### 1 Product

**LED-UC** Undercabinet Bar Light

### 2 Size

<b>8I-4W</b>	8 Inches - 4W / 180lm
<b>11I-6W</b>	11 Inches - 6W / 350lm
<b>14I-8W</b>	14 Inches - 8W / 570lm
<b>22I-10W</b>	22 Inches - 10W / 750lm
<b>28I-12W</b>	28 Inches - 12W / 900lm
<b>33I-15W</b>	33 Inches - 15W / 1,050lm
<b>42I-18W</b>	42 Inches - 18W / 1,250lm

### 3 Color

<b>5CCT</b>	Switchable 27K/30K/35K/40K/50K
<b>Tri</b>	Switchable 30K/40K/50K
<b>Single</b>	30K

### 4 Finish

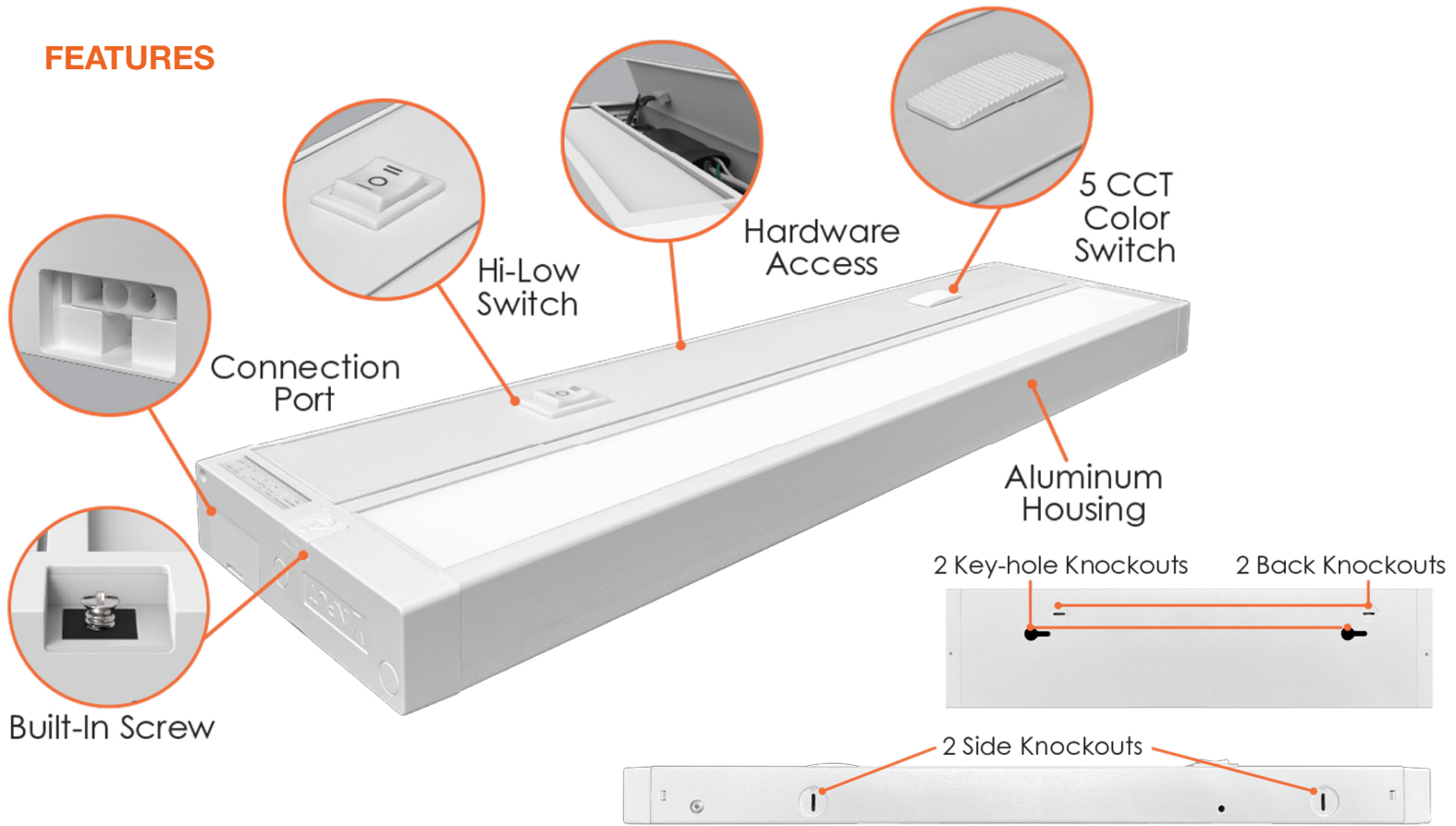
<b>B</b>	Bronze
<b>W</b>	White

### 5 Warranty

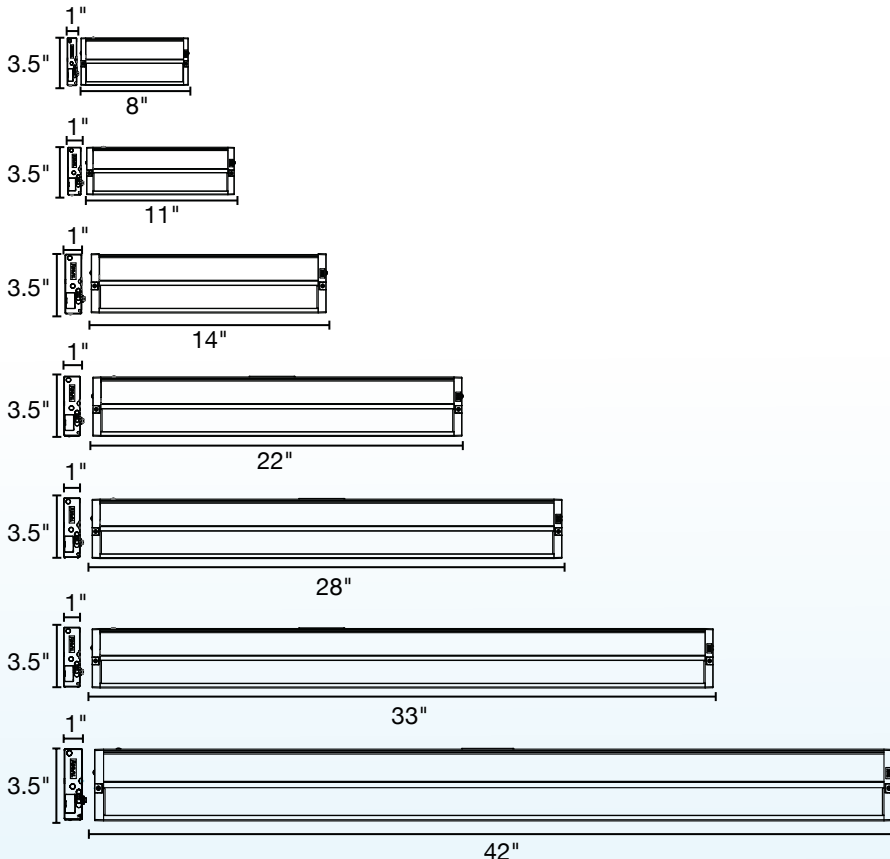
<b>(Blank)</b>	5 Year (incl.)
<b>10YR</b>	10 Year

Specs and model numbers are subject to change with or without notice

**FEATURES**



**DIMENSIONS**



**DIMMER COMPATIBILITY**

Brand	Model	
Lutron	MACL-153M	SELV-300P
	LGCL-153PLH	DVELV-300P
	TAL06P-C1-K-L	DV-600-PR-LA
	TGCL-153PH	DV-600PR-BL
	AYCL-153P	DV-600PR-WH
	DVCL-153P	S-2-LH
	DVSCCL-153P	CT-600PR-WH
	SCL-153P	DVW-603-PGH-WH
	MSCL-OP-153M	CT-600PR-IV
Cooper	ASPIRE-9573	DEVINE-DLC03P
	SKYE-SLC03P	SAL06P
	AAL06-C1-K-L	DAL06P-C1-K-L
Leviton	6631	6633

*\*The listed dimmers have been tested and proven to work. Some discrepancies may exist due to different electrical work. These dimmers are recommended, but is not limited to other dimmers from working.*

**ACCESSORIES**

**Included**



**Joiner**



**3/8" Connector**



**Screws & Anchors**

**Optional**



**UC-JUMPER-6"-WH  
UC-JUMPER-12"-WH  
UC-JUMPER-24"-WH**



**UC-JUMPER-6"-BZ  
UC-JUMPER-12"-BZ**



**UC-PC-5'WH**



**UC-PC-5'BZ**

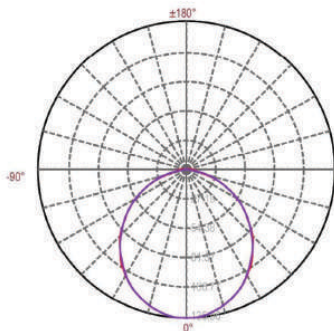


**UC-JBOX**

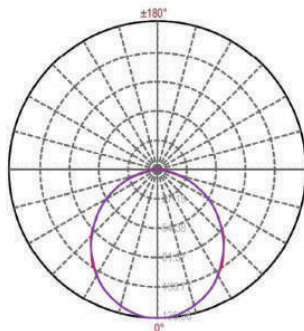
Accessory Model	Description
UC-JUMPER-6"-WH	6" UC Jumper
UC-JUMPER-12"-WH	12" UC Jumper
UC-JUMPER-24"-WH	24" UC Jumper
UC-JUMPER-6"-BZ	6" UC Jumper
UC-JUMPER-12"-BZ	12" UC Jumper
UC-PC-5'-WH	5' Power Cable
UC-PC-5'-BZ	5' Power Cable
UC-JBOX	Undercabinet Junction Box

**PHOTOMETRICS**

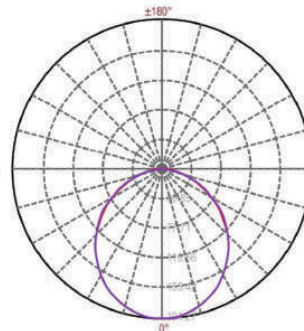
**Light Distribution**



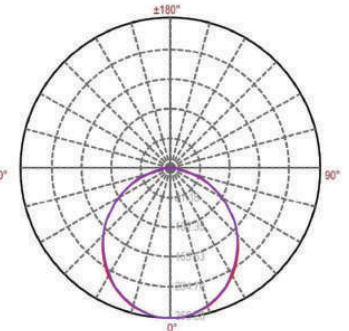
**8 Inch**



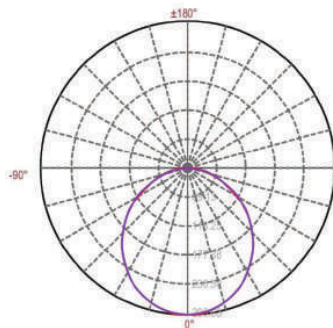
**11 Inch**



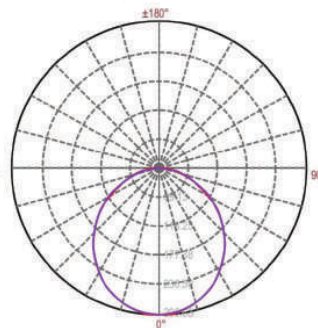
**14 Inch**



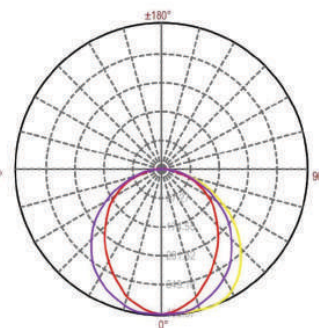
**22 Inch**



**28 Inch**



**33 Inch**



**42 Inch**

# KNOCKOUT DIMENSIONS

