

Project: _____
 Part#: _____
 Type: _____

T8 U-Shaped LED Bulbs



The NEW EnVision LED T8 8FT Bulb can be installed with the existing ballast (see list) or double ended ballast bypass, now in a U-Shaped bulb! Our revolutionary design features a U-Shaped LED, made easy for stocking, saving up to 66% of stock space. EnVision has added a safety feature by using a protective shatterproof film on all of our tubes. These bulbs are 3-in-1, working with an electronic ballast or direct 120-277 VAC input, with single or double sided power inputs.

Applications:

- Fluorescent Retrofitting
- New Construction
- Warehouse Lighting
- Commercial Lighting

Product Information:

- Increase energy savings
- Film protectant for extra shatter protection (food industry OK)
- Non-Dimmable

Additional Details:

- End Cap: G13
- Input Voltage: 120-277vac, 50/60hz
- CRI: >80
- Power Factor: >0.9
- Dimensions: Length: 22.4", Width: 1.6" or 6"
- IP Rating: Damp Location

Why pick the EnVision T8?:

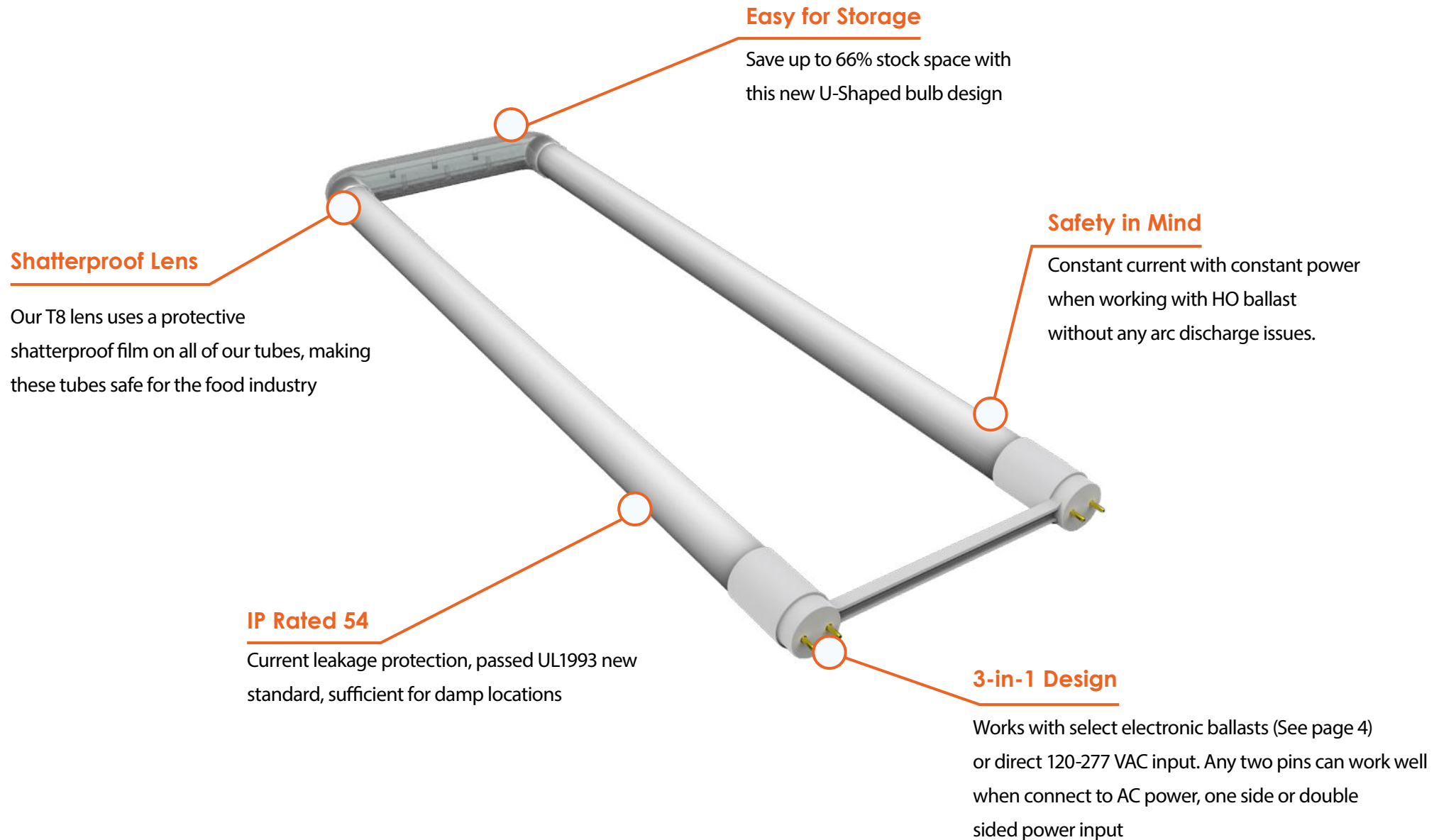
- Average life (L70) of 50,000 hours with chips that are tested with LM-79 and LM-80 compliance
- T8 U-Shaped Bulb is tested 120 hours before being boxed and shipped
- Light beam spread replicates the same look as a fluorescent, but with improved light output and efficiency
- 5 Year Limited Warranty

LED - T8 U - DF - GL - 22 X 6 - 15 W - Color - 5 Y R

1	Product	2	Watt	3	Color	4	Warranty
LED-T8U-DF-GL-22X6	T8 U-Shaped LED Bulb	15w	15w (1,950lm)	40K 50K	4000K 5000K	5YR	5 Years (Incl.)

Specs and model numbers are subject to change with or without notice



FEATURES**Easy for Storage**

Save up to 66% stock space with this new U-Shaped bulb design

Shatterproof Lens

Our T8 lens uses a protective shatterproof film on all of our tubes, making these tubes safe for the food industry

Safety in Mind

Constant current with constant power when working with HO ballast without any arc discharge issues.

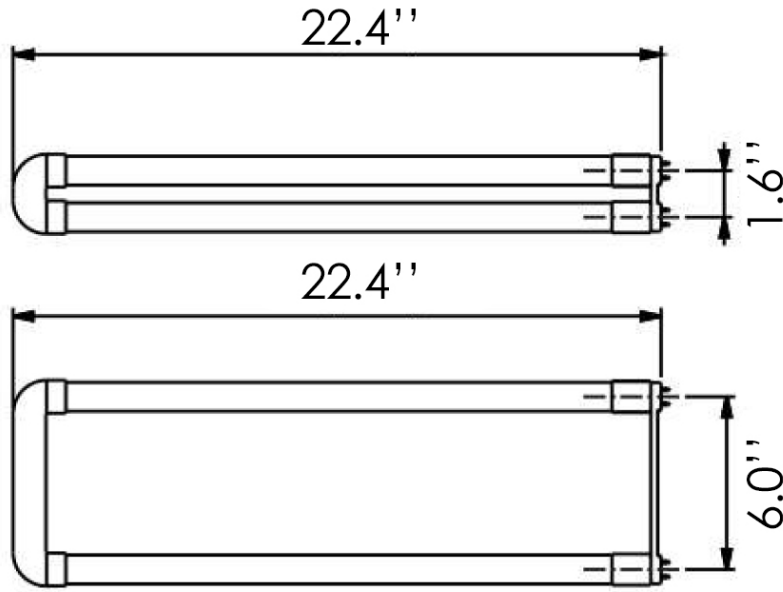
IP Rated 54

Current leakage protection, passed UL1993 new standard, sufficient for damp locations

3-in-1 Design

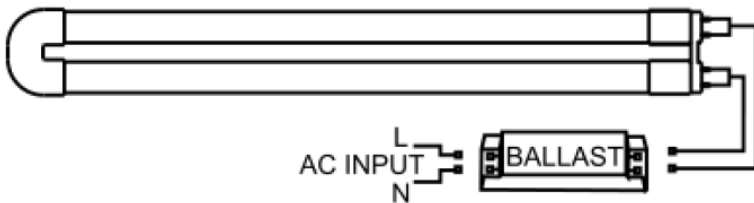
Works with select electronic ballasts (See page 4) or direct 120-277 VAC input. Any two pins can work well when connect to AC power, one side or double sided power input

DIMENSIONS

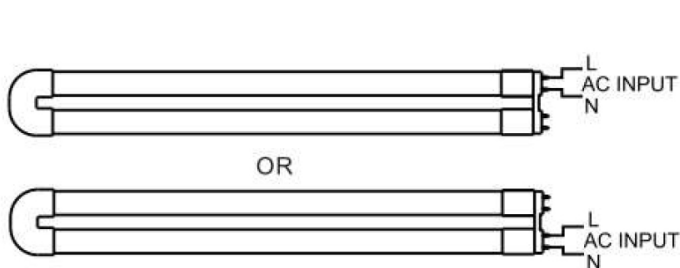


WIRING DIAGRAM

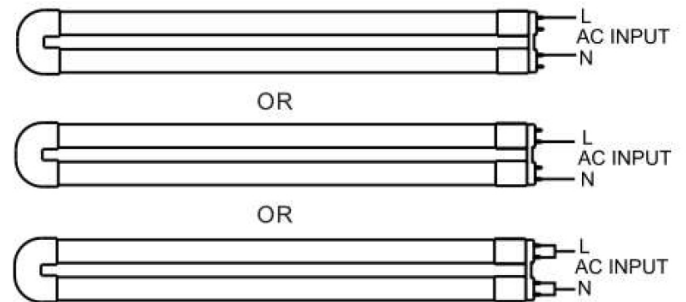
TYPE A (Ballast Compatible) - Assembly Instructions:



TYPE B (AC Directly, single-ended or double-ended ballast bypass) - Assembly Instructions:



Single Ended Input



Double Ended Input

BALLAST COMPATIBILITY LIST

RISK OF FIRE! Check the ballast compatibility list before installing this with electronic ballast. DO NOT install if the ballast is not in the list.

BALLAST START TYPE: Instant Start (Ballast's listed in a bold text are ballast start type: Programmed Start)

Brand	Model No.
GE	GE132MAX-G-347
GE	GE-132-MV-N
GE	GE132MVPS-H
GE	GE240PS-MV-N
GE	GE232-120RES-B
GE	GE259MAX-G-N
GE	GE232-MV-N
GE	GE232-MAX-G-N
GE	GE232MAX-G-N-DIYB
GE	GE259MAX-G-N-DIYB
GE	GE332MAX-G-N-DIYB
GE	GE332MAX-G-H
GE	GE432MAXP347-N
GE	GE432MAX-G-N
GE	GE432MAXG-N-DIYL
PHILIPS ADCANCE	REZ-2S32-SC
PHILIPS ADCANCE	ICN-2P32-N
PHILIPS ADCANCE	IOPA-2P32-LW-N
PHILIPS ADCANCE	IOP-2PSP32-LW-N
PHILIPS ADCANCE	IOPA-2P32-N
PHILIPS ADCANCE	IOP-2P32-HL-N
PHILIPS ADCANCE	IOP-2PSP32-N
PHILIPS ADCANCE	IOPA-3P32-N
PHILIPS ADCANCE	IOPA-4P32-N
PHILIPS ADCANCE	ICN-4P32-N

Brand	Model No.
PHILIPS ADCANCE	REB-4P32-SC
PHILIPS ADCANCE	VEL-4P32-SC
OSRAM SYLVANIA	QTP 2X32T8/UNV ISN-SC
OSRAM SYLVANIA	QHE 2X32T8/UNV ISN-SC
OSRAM SYLVANIA	QHE 2X32T8/UNV PSN-MC
OSRAM SYLVANIA	QTP 3X32T8/UNV ISN-SC
OSRAM SYLVANIA	QHE 3XLED32T8/UNV ISN-SC
OSRAM SYLVANIA	QHE 3X32T8/UNV ISH HT-SC
OSRAM SYLVANIA	QHE 3X32T8/UNV PSN-SC
OSRAM SYLVANIA	QHE 4XLED32T8/UNV ISN-SC
OSRAM SYLVANIA	QHE 4X32T8/UNV ISN-SC
OSRAM SYLVANIA	QTP 4X32T8/UNV ISN-SC
UNIVERSAL	B232IUNVHP-N
UNIVERSAL	B232PUNVHE-B
UNIVERSAL	B232IUNVHEH-A
UNIVERSAL	B332IUNVHE-A
UNIVERSAL	B332IUNVHP-A
UNIVERSAL	B332IUNVEL-A
UNIVERSAL	B432PUNVHE-A
UNIVERSAL	B432IUNVHE-A (A0001)
UNIVERSAL	B432IUNVHE-A (51376510-D)
UNIVERSAL	B432IUNVHE-A (1418CU4101B)
ESPEN	VE2P32MVHIPE 11068
ESPEN	VE2P32MVHIPHE 11069
ESPEN	VE2P32MVHPPE 11080

Brand	Model No.
ESPEN	VE3P32MVHIPE 11070
ESPEN	VE4P32MVHPPE 11086
ESPEN	VE4P32MVHIPE 11072
ESPEN	VE4P32MVHIPHE 11073
ESPEN	VE432120MIP
HOWARD INDUSTRIES	EP2/32IS/MV/MC/HE
HOWARD INDUSTRIES	EPL2/32IS/MV/MC/HE
HOWARD INDUSTRIES	EPH4/32IS/MV/SC/HE
KEYSTONE	KTEB-232-UV-IS-N-P
KEYSTONE	KTEB-332-UV-IS-N-P
KEYSTONE	KTEB-432-UV-IS-N-P
EIKO	PM-2X32T8-UNV-IS
EIKO	PM-3X32T8-UNV-IS-H
EIKO	PM-4X32T8-UNV-IS
HALCO	EP232IS/MV/HE
HALCO	EP432IS/MV/MC/HE
HALCO	EP432ISUNVE
DAMAR	1688B
DAMAR	1688D
DAMAR	3654C
PLUSRITE	BAF232IS/MV
PLUSRITE	BAF332IS/MV
ACT	3P32ISUNVE
ACT	4P32ISUNVE
ULTRASAVE	UT232347
ROBERTSON	ISL432T8HEMV 3P20160