

## DOWNLIGHT 4INCH 120V/277V

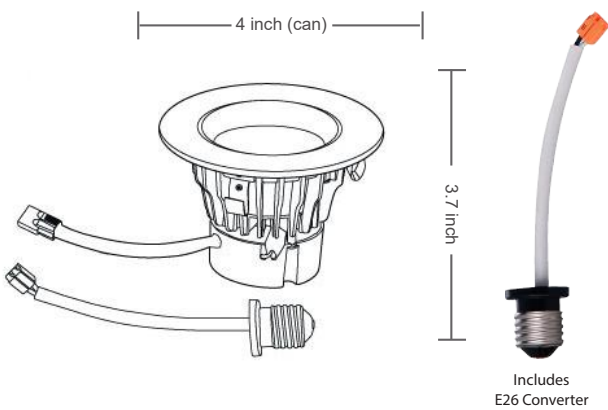
The EnVision retrofit downlight is now available in a multi-voltage 120V/277V. It has an aluminum heatsink for efficient heat dissipation, and a state of the art LED driver which gives it excellent dimming performance. At 850 Lumens, and fully dimmable, you have plenty of light when desired. The architectural depth of .55 inches will reduce any glare emitted from the LED Chip. The light turns on instantly, and is not affected by frequent on/off switching.

### Applications:

- Recessed Downlighting
- New Construction
- Residential Lighting

### Product Information:

- Increase energy savings and shorten payback period
- High intensity: ready to replace existing 75w halogens
- Title 24 (Ideal) Connector Plug
- Dimmable (120V): Compatible with most dimmers down to 5%
- Fits most 4inch cans
- Chip: Luminus XNOVA COB



Type	Model	Volt	Watt	Lumen	Color	CRI	Beam Spread
4INCH	LED-FL-RES-4-11W-WW-UNV	120V/277V	11W	850	Warm-3000k	>83	120°
4INCH	LED-FL-RES-4-11W-CW-UNV	120V/277V	11W	850	Cool- 4000k	>83	120°
4INCH	LED-FL-RES-4-11W-DL-UNV	120V/277V	11W	850	Day- 5000k	>83	120°