



## Outdoor Emergency Wallpack w/ Photocell

Now available is the EnVision Outdoor Emergency Wallpack, w/ Photocell. Place these fixtures on walls outdoors to provide great emergency backup lighting. Since these fixtures are IP65 rated, place these outdoors without worry of rain damage. With a nickel cadmium battery and overcharge & over-discharge protection, the charging time for this fixture is 24 hours, with a discharge time or backup time of 90 minutes.

### Detail Specification:

- Voltage: 120-277V 60Hz
- Output: 12W
- Operating Temp: 0° F ~ 104° F
- Dimensions: 13.36" x 3.73" x 4.52"
- UL-94V-0 Flame rating, fire-resistant
- Power Consumption: 4.8W Max
- 1000lm General Mode (190lm Emergency Mode)

### Product Information:

- Super bright SMD LED
- Non-Dimmable
- Overcharge & Over-discharge protection
- IP65 Protection

| Product             | Watts    | Accessories | Color    | Warranty |
|---------------------|----------|-------------|----------|----------|
| L E D - E M - W P - | 1 2 W -  | P C -       | B Z -    |          |
| <b>1</b>            | <b>2</b> | <b>3</b>    | <b>4</b> | <b>5</b> |

|   |                               |                                      |                             |   |
|---|-------------------------------|--------------------------------------|-----------------------------|---|
| <b>1 Product</b><br>LED-EM-WP Outdoor Emergency Wallpack w/ Photocell | <b>2 Watts</b><br>12W 1,000lm | <b>3 Accessories</b><br>PC Photocell | <b>3 Color</b><br>BZ Bronze | <b>4 Warranty</b><br>(Blank) 5 Years (incl.)<br>10YR 10 Years |
|---|-------------------------------|--------------------------------------|-----------------------------|---|

Specs and model numbers are subject to change with or without notice.

**FEATURES**

**Overcharge Protection**

Prevents the outdoor fixture from overcharging and over-discharging

**Nickel Cadmium Battery**

Discharge / Backup time: 90 Minutes  
Charging Time: 24 Hours

**Photo Sensor**

**Die-Cast Aluminum Housing**

**Super Bright COB LED**

12W with 1000lm for general mode  
and 190lm for emergency mode

**Test Button**



*Specs and model numbers are subject to change with or without notice.*

## INSTALLATION:

### WALL MOUNTING

**NOTE:** First turn off electricity

**Step 1:** Remove cover from fixture with a screwdriver

**Step 2:** Select working mode

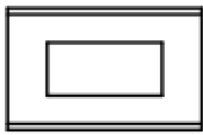
**Step 3: Electrical Connections** - Make the proper supply wire connections, Connect L and N to building power supply.

**Step 4:** Pull out all the AC wires from the back of the fixture or top of the fixture for mounting (J-box not provided)

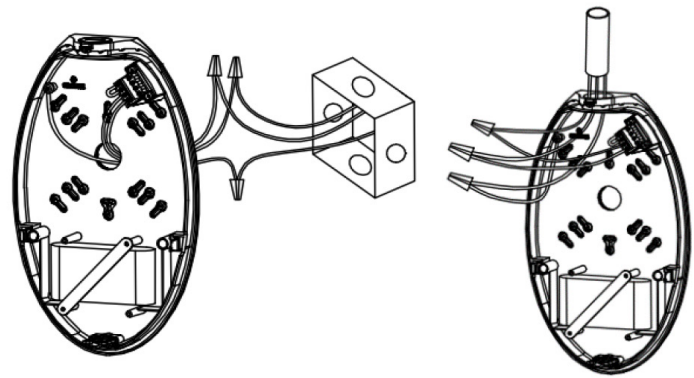
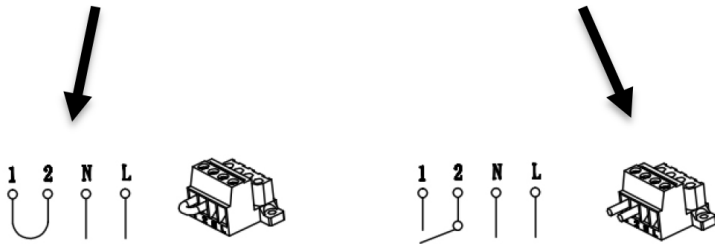
**Step 5:** Restore power and press test button. AC light will turn off



**PHOTO  
SENSOR**



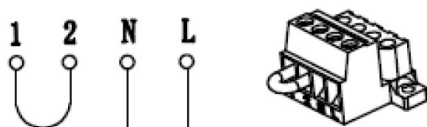
**WALL  
SWITCH**



## FUNCTION:

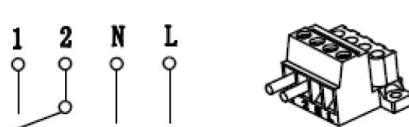
- 1) When AC connected, the green indicator will be on.
- 2) For normal lighting use, the fixture can be configured for automatic operation by the built-in daylight photo sensor, or can be switched through an external switch. For battery backup models the fixture will illuminate from battery power on loss of normal AC, regardless of the photo sensor or wall switch operation.
- 3) For photo sensor operation, connect the jumper between terminals 1 and 2 (Pic 2) and slide the slide switch (Pic 4) to the photo sensor position. The photo sensor will turn the fixture on and when the ambient lighting <10 Lux, and off when the ambient lighting >30 Lux.
- 4) For an external switch: remove the jumper between terminals 1 and 2 (Pic 3), and slide the slide switch (Pic 4) to the Wall Switch position. The external switch connections must be fully isolated from any other circuitry.

### Photo Sensor Operation

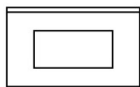


**Pic 2**

### External Switch Operation



**Pic 3**

**PHOTO  
SENSOR**  **WALL  
SWITCH**

**Pic 4**