

Features

Nickel Cadmium Battery

Discharge / Backup time: 90 Minutes
Charging Time: 24 Hours

Injection-molded
Thermoplastic ABS Housing



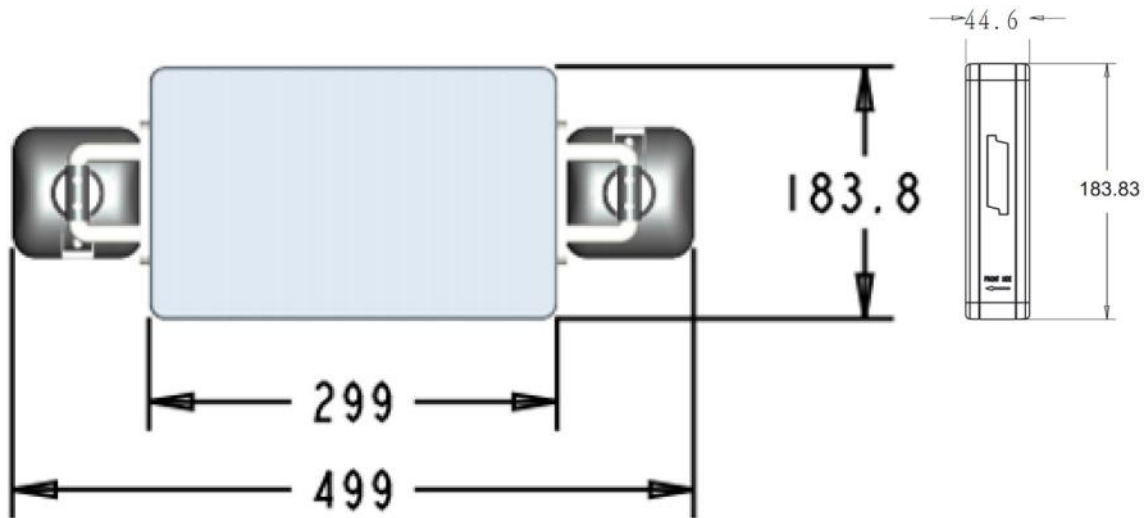
Manual Test Switch

Test to make sure the fixture is working correctly with a red led light that indicates normal operation

UL924 Listed

UL-94V-0 flame rating, fire resistant

Dimensions

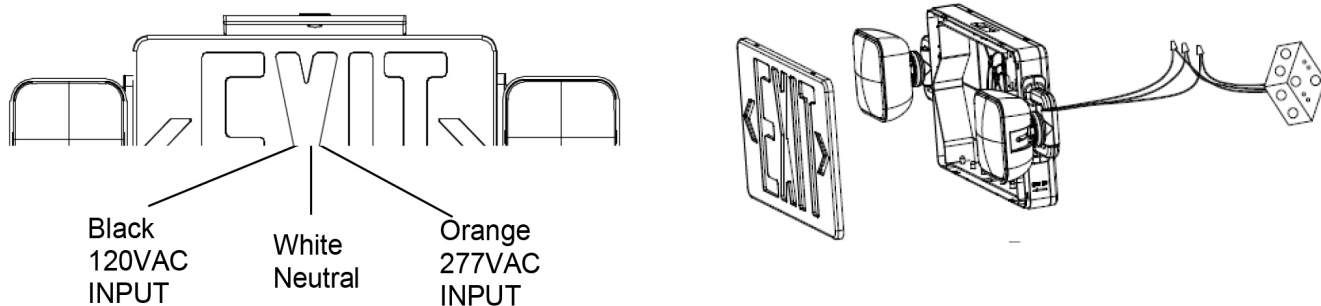


Measurements are displayed in millimeters

Installation Instructions: Wall Mounting

NOTE: First turn off electricity

- 1) Open the EXIT housing and diffuser with a screwdriver.
- 2) Knockout in back of mounting plate and push wires through the hole.
- 3) Make the proper supply lead connections. If using 120VAC, connect the black and white leads to the building utility. If using 277VAC, connect the orange and white leads to the building utility. Cap off unused wire. If the unit is self-powered, be sure to snap battery connector together.
- 4) Snap fixture onto mounting plate and ensure no wires are pinched. Make sure unit is fully attached.
- 5) Restore power and press test button. Battery powered LED will come on, AC light will turn off.



Installation Instructions: Ceiling Mounting

NOTE: First turn off electricity

- 1) Open the EXIT housing and diffuser with a screwdriver.
- 2) Knockout in top of mounting plate and push wires through the hole.
- 3) Reference step 3-5 in wall mounting above for ceiling mounting.

