

Project: \_\_\_\_\_  
 Part#: \_\_\_\_\_  
 Type: \_\_\_\_\_

# Emergency Exit Sign



Now available is the EnVision LED Emergency Exit Sign. Available in a green and red light, with a single sided and double sided version, place these signs on walls or ceilings near exit locations. With a nickel cadmium battery, the charging time for this fixture is 24 hours, with a discharge time or backup time of 90 minutes. Test to make sure everything works correctly with a test switch and light indicator.

**Applications:**

- Wall Mounting
- Ceiling Mounting

**Product Information:**

- Test switch and charge indicator
- Super bright SMD LED
- Film protectant for extra shatter protection (food industry OK)
- Non-Dimmable
- Title 20 Compliant

**Additional Details:**

Voltage: 120-277V  
 Output: 1W Max  
 Power Consumption: 4W Max  
 Charging Time: 24 Hours  
 Discharge Time: 90 Minutes  
 Operating Temp: 0° C ~ 40° C  
 Dimensions: 11.61" x 8.18" x 4.56"  
 UL-94V-0 Flame rating, fire-resistant



LED-EM-EXT - Color - WH  
 1 2 3

<b>1</b>	<b>Product</b>	<b>2</b>	<b>Color</b>	<b>3</b>	<b>Style</b>
LED-EM-EXT	LED Emergency Exit Sign (Single and double sided)	G R	Green Red	WH	Standard White EXIT Sign

*Specs and model numbers are subject to change with or without notice*

## Features

### Nickel Cadmium Battery

Discharge / Backup time: 90 Minutes  
Charging Time: 24 Hours

Injection-molded  
Thermoplastic ABS Housing



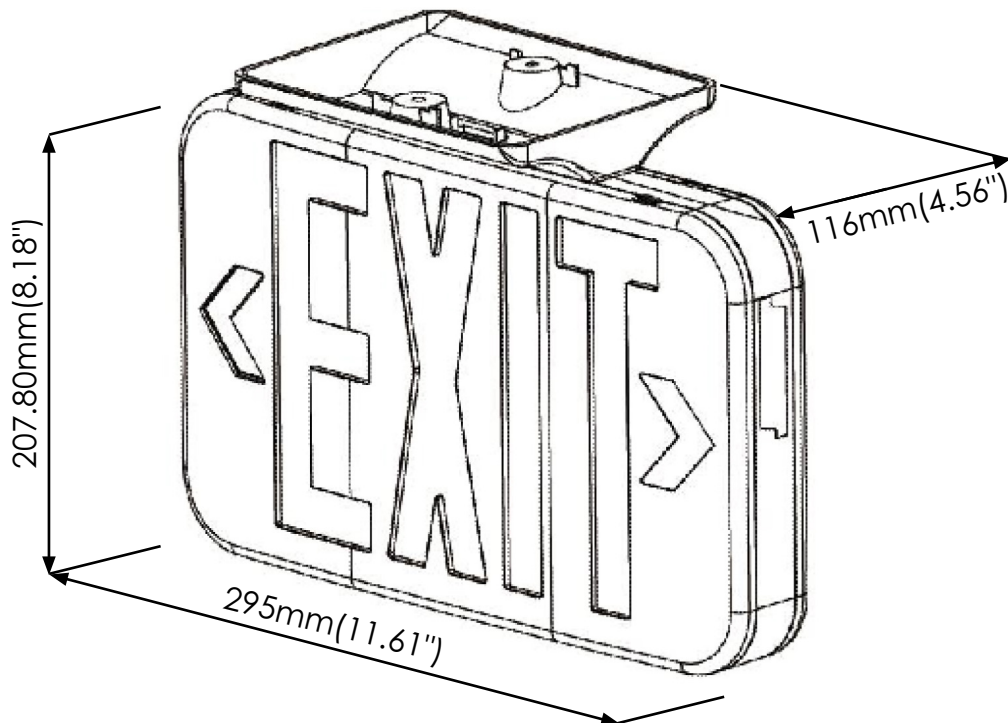
**UL924 Listed**

UL-94V-0 flame rating, fire resistant

### Manual Test Switch

Test to make sure the fixture is working correctly with a red led light that indicates normal operation

## Dimensions

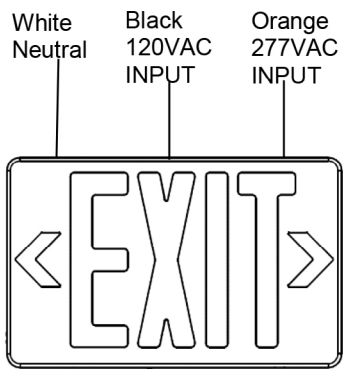


**LED-EX-EXT-G/R-WH**  
**Installation Instructions**

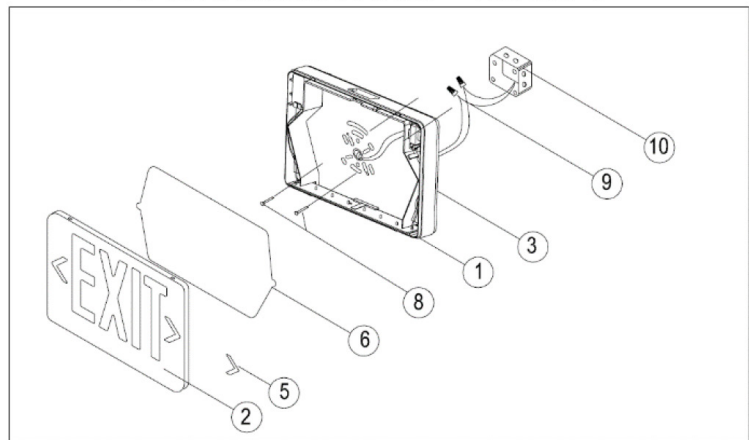
**NOTE: First turn off electricity**

- 1) Do not use outdoors
- 2) Do not mount near gas or electric heaters
- 3) Do not let power cords touch hot surface
- 4) Use caution when servicing batteries. Avoid possible shorting
- 5) Equipment should be mounted in locations and at heights where it will not be subjected to tampering by unauthorized personnel

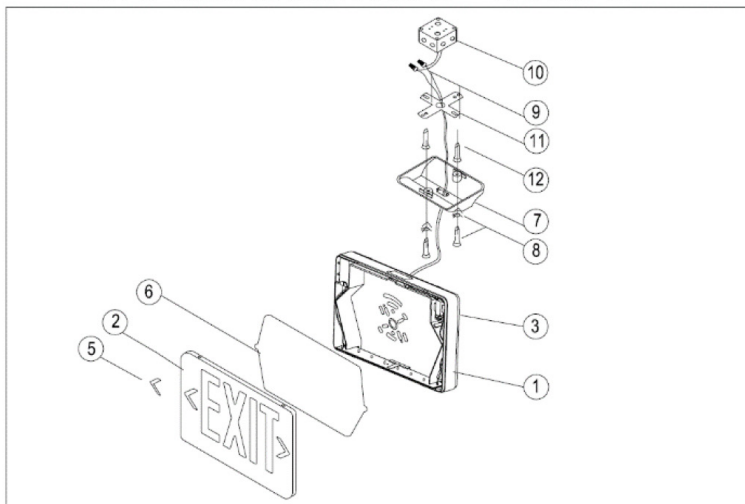
For more information, refer to instructions and safety guidelines included with the product



**BACK MOUNTING – DIAG. 1**



**CEILING MOUNTING – DIAG. 3**



**SIDE MOUNTING – DIAG. 2**

