



## 4" 12V Innovative Downlight

### Applications:

- Easy-mount spring clips allow tool-less retrofit installation
- Heavy-duty die-cast aluminum heatsink
- Dimmable with low voltage dimmers
- Uses standard MR16 connector

### Product Information:

- Easy-mount spring clips allow tool-less retrofit installation
- 100° Beam
- Suitable for retrofit or new construction
- Dimmable: Compatible with most dimmers down to 5%
- Fits 4 inch cans
- 5 year limited warranty

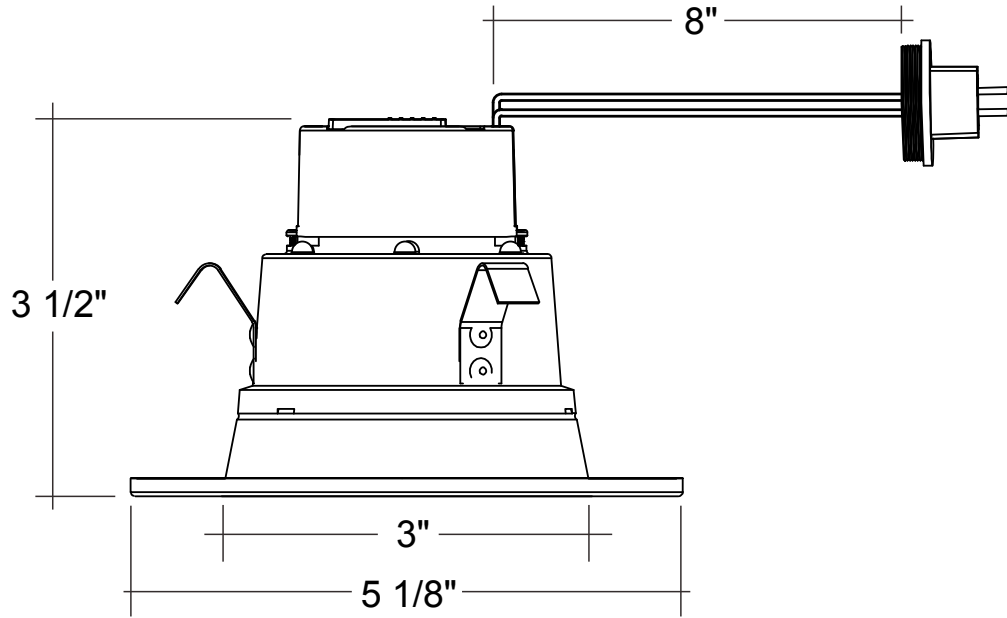
LED - EDL - 4 - 10W - 5 CCT - WH - 12V

1 2 3 4 5 6

1 Product	2 Size	3 Watt	4 Color	5 Finish	6 Volts
LED-EDL EDL Downlight	4 4"	10w 10w / 600lm	5CCT 27/30/35 40/50K	WH White	12V 12 Volts

Specs and model numbers are subject to change with or without notice. Customization of product is available.

**DIMENSIONS**



**FEATURES**

