

## 4" / 6" Square ADL Downlight

5 CCT Selectable: 27/30/35/40/50K

The EnVision LED 5CCT Square retrofit downlight surpasses most other recessed lights on the market. It has an aluminum heatsink for efficient heat dissipation, with a switchable color temperature of 27/30/35/40/50K. It is equipped with an internal flicker-free triac-dimmable driver. At 750 lumens and fully dimmable, you have plenty of light when desired. The light turns on instantly, and is not affected by frequent on/off switching. Select 5 different color temperatures with a flick of a switch.

### Applications:

- Recessed Downlighting
- New Construction
- Residential Lighting

### Product Information:

- 5CCT Selectable color temperature
- Dimmable with most dimmers including: Lutron Diva and Skylark Series
- Title 24 (Ideal) Connector Plug
- High Intensity: Ready to replace existing 65w halogens
- 5 Year Limited Warranty

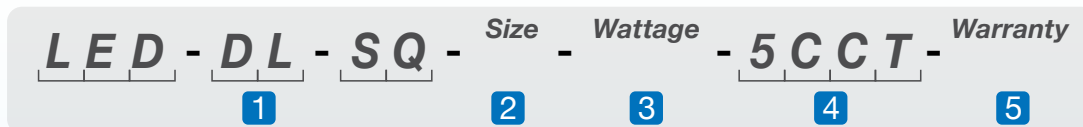


**BLK**



**BZ**

**Optional Changeable Trims**



1 Product	2 Size	3 Wattage	4 Color	5 Warranty
LED-DL-SQ	4 4 Inches 6 6 Inches	11W 11W (750lm) 14W 14W (1,200lm)	5CCT 27/30/35 40/50K	(Blank) 5 Years (incl.) 10YR 10 Years

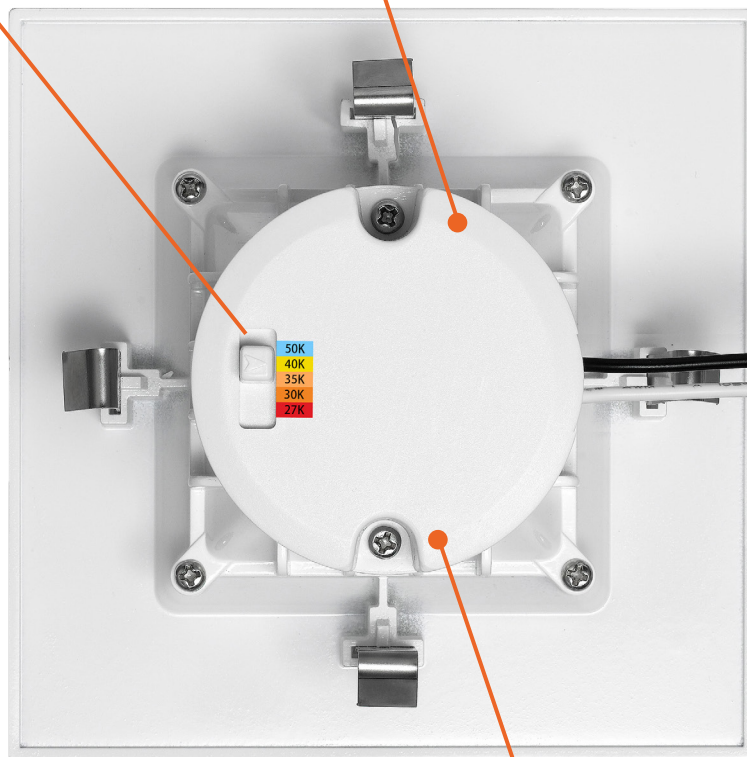
*Specs and model numbers are subject to change with or without notice.*

**FEATURES****6" Model Shown****5CCT Selectable Switch**

Switch between 27, 30, 35, 40, and 50K color temps with the flip of a switch

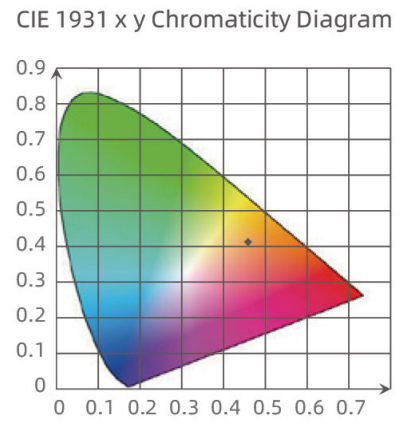
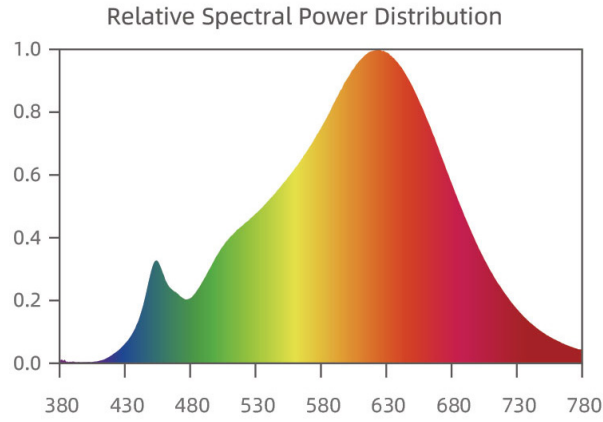
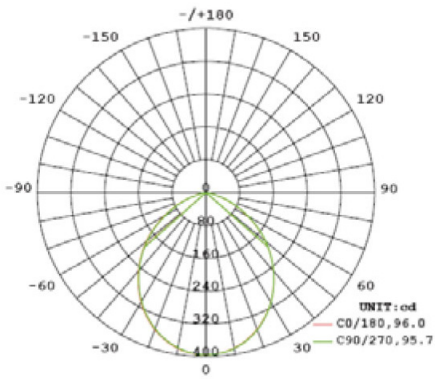
**Dimmable**

Dimmable with most dimmers including Lutron Diva and Skylark Series

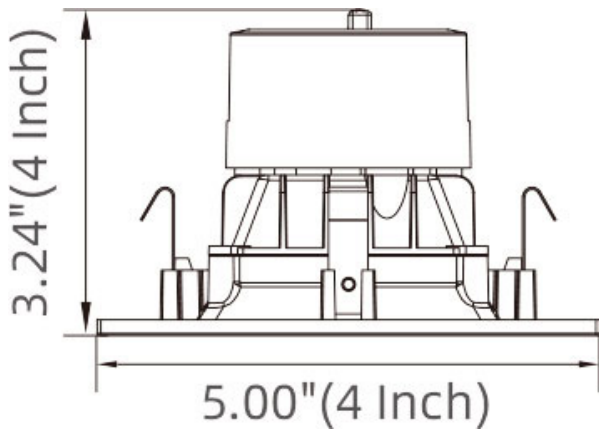
**Type 24 Connector Plug****Aluminum Heatsink**

For the most efficient heat dissipation

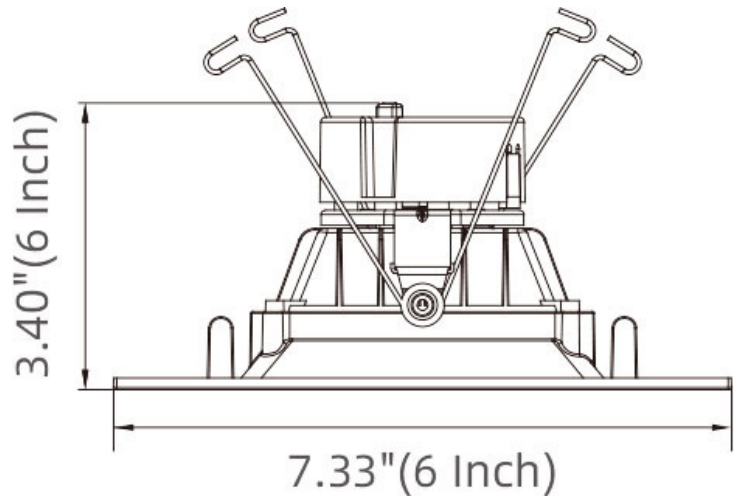
## PHOTOMETRICS



## DIMENSIONS



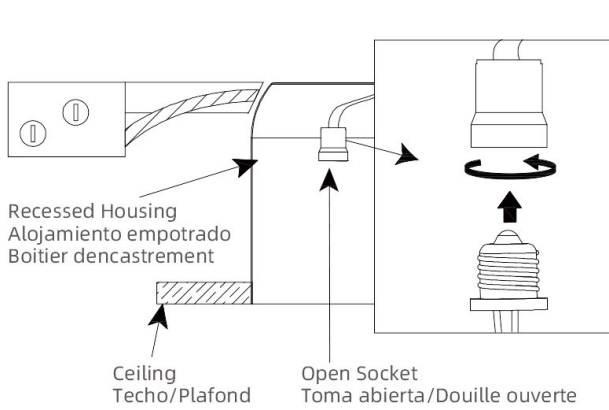
**4 Inch**



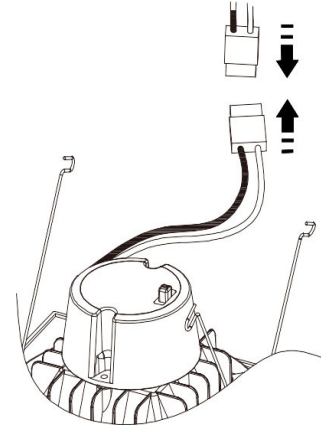
**6 Inch**

**INSTALLATION**

1. Disconnect all power prior to installation.
2. Remove the existing trim and bulb to gain access to the socket.

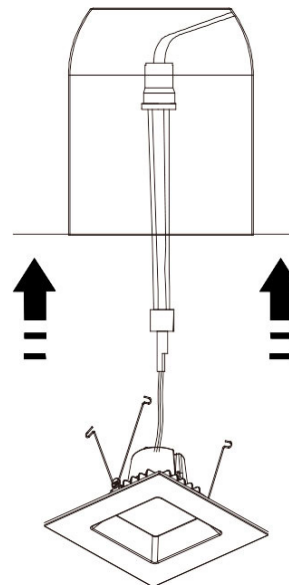
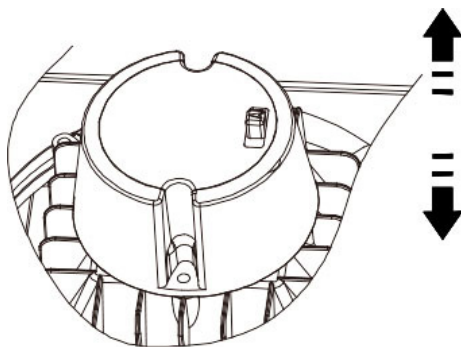


**Figure 1**



**Figure 2**

3. Screw in the E26 socket adaptor into the open socket (Figure 1)
4. Plug in the quick connector (Figure 2)



**Figure 4**

5. Once the connector is attached, gently push trim into fixture opening until flush with ceiling (Figure 3)
6. The lamp is fixed in the housing kit by a spring or shrapnel (Figure 4)