

Project: \_\_\_\_\_  
 Part#: \_\_\_\_\_  
 Type: \_\_\_\_\_

# 4" & 5/6" Adjustable Downlight

5CCT Selectable: 27/30/35/40/50K



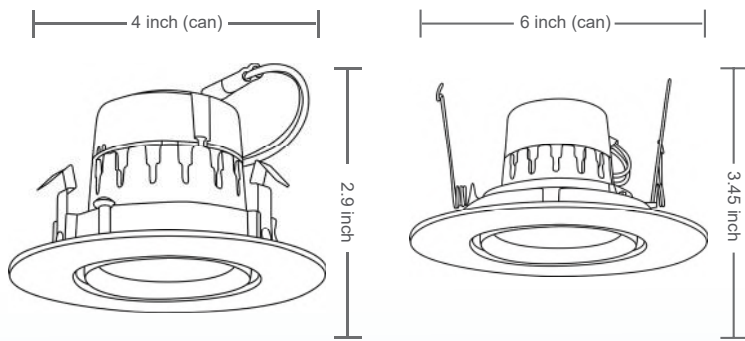
The EnVision adjustable retrofit downlight allows the end user to direct the light in a full 360° spectrum. It's easy to use and can be adjusted once the trim is installed inside of a can. With a High CRI >90, and fully dimmable, you have plenty of light when desired. The light turns on instantly, and is not affected by frequent on/off switching. Now with 5 different color temperatures to choose from, all in one fixture!

### Applications:

- Recessed Downlighting
- New/Remodel Construction
- Residential/Commercial Lighting

### Product Information:

- Switch between 27/30/35/40/50K color temps.
- Increase energy savings and shorten payback period
- High intensity: Ready to replace existing halogens
- Title 24 (ideal) Connector Plug
- Dimmable: Compatible with most dimmers down to 5%
- Fits most cans



**LED-DL-ADJ** - **Size/Watts/Lumens** - **5 CCT** - **Finish** - **EMB** - **Warranty**

1	Product	2	Size/Watts/Lumens	3	Color	3	Finish	5	EMB	5	Warranty		
1	LED-DL-ADJ Adjustable Downlight	2	10W 4" / 10W (750lm) 16.5W 5-6" / 16.5W (1200lm)	3	5CCT	3	Color 5CCT Selectable 27/30/35/40/50K	3	WH White BLK Black	5	5 (Blank) EMB None Emergency Backup (External 25W)	5	5 (Blank) 10YR 5 Year (incl.) 10 Year

Specs and model numbers are subject to change with or without notice

## FEATURES

5/6" Model Shown

### 5CCT Selectable

Choose between 27/30/35/40/50K color temperatures, making this five different fixtures in one!

### Dimmable

5-100% dimmable setting compatible with most dimmers.

### High Intensity

Ready to replace existing halogens with increased energy savings and shorten payback period.

### Accessible Adjustments

Once installed inside of a can, easily adjust the trim to your desired angle.

### Easy to Install

Spring clips allow for tool-less installation.



4" Clips shown above