



LED-CRN-3M36-TRI-E26



LED-CRN-3M54-TRI-E26



LED-CRN-3M80-TRI-EX39



LED-CRN-3M54-TRI-EX39



LED-CRN-3M36-TRI-EX39



LED-CRN-3M120-TRI-EX39

LED Corn Bulbs 3 Power & 3 CCT Selectable

The EnVision corn light allows the end user to light an area in a full 360° spectrum. The lamp includes an internal driver with a 4kV surge protector, and has a universal input voltage of 120-277v. The light turns on instantly, and is not affected by frequent on/off switching. With 3 different color temperatures and 3 wattages to swap from, it's like having nine SKU's all in one!

Applications:

- Residential/Commercial Lighting
- Outdoor/Garden Lighting
- Warehouse/Garage Lighting

Product Information:

- Switch between 30/40/50K color temps
- Also switch between 3 different wattage types
- Includes 4kV surge protection
- 120-277V with ballast bypass
- DLC Listed on EX39 Base Only

Additional Information

- Operating Temperature: -40°C/-40°F ~ 60°C/140°F
- Integral driver eliminates the need for external ballast
- Suitable for use in fully enclosed fixture
- Environmental friendly; No mercury used
- IP65 Rated

* E26 Only Available
for 3M36 and 3M54 bulbs

* BMDSL Only Available
for 3M80 and 3M120 bulbs

L E D - C R N - 3-Power Select - T R I - Base Type - Accessories - Warranty

1

2

3

4

5

6

1 Product

LED-CRN Corn Lights

2 3-Power Select

3M36 36/27/18W - 5,220lm (36W)
3,915lm (27W), 2,610lm (18W)
3M54 54/45/36W - 7,830lm (54W)
6,525lm (45W), 5,220lm (36W)
3M80 80/63/54W - 11,600lm (80W)
9,135lm (63W), 7,830lm (54W)
3M120 120/100/80W - 17,400lm (120W)
14,500lm (100W), 11,600lm (80W)

3 Color

TRI 3CCT Selectable
30/40/50K

4 Base Type

E26* E26*
EX39 EX39

5 Accessories

(Blank) None
BMDSL Daylight
& Motion Sensor

6 Warranty

(Blank) 5 Year (incl.)
10YR 10 Year

Specs and model numbers are subject to change with or without notice

FEATURES

3-Watt and CCT Selectable

Switch between different color temps and wattages, making this light six different fixtures in one!

360° Beam Spread



High Quality LED Chips

We use high quality LED chips for longevity, consistent color and reliability.

Grade A Heat Sync

Eliminates the need for a fan with a build in grade A heat sync.

Multiple Applications

Use this fixture with retrofit applications, such as shoebox and street fixtures, post top fixtures, high bay fixtures, and even barn and yard lights.

E26 / EX39 Base

3CCT Selectable



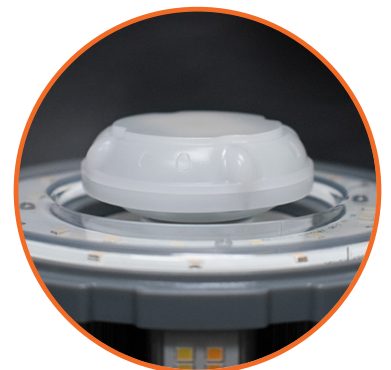
3 Power Selectable



E26 Base



EX39 Base



Optional Motion + Daylight Sensor

(Only available for 3M80 and 3M120 bulbs)

WIRING DIAGRAM

1. Disconnect power and remove existing ballast, capacitor, and/or ignitor (where applicable) from fixture. **(See Image 1)**

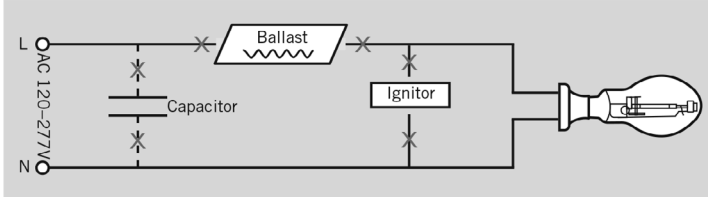


Image 1

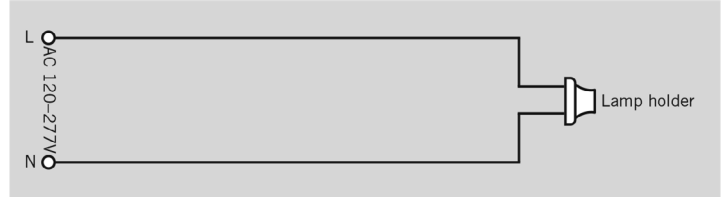
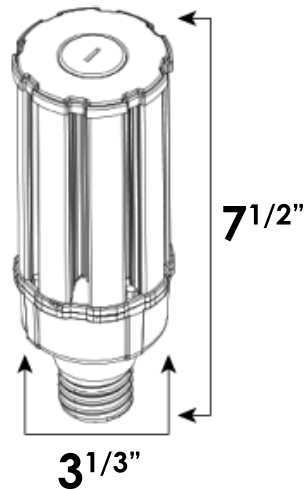


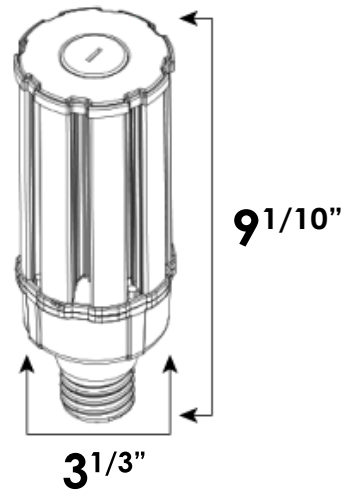
Image 2

2. Rewire for line voltage to the lamp socket. **(See Image 2)**
 3. Install new LED replacement lamp. Ensure lamp is operating properly when power is on.

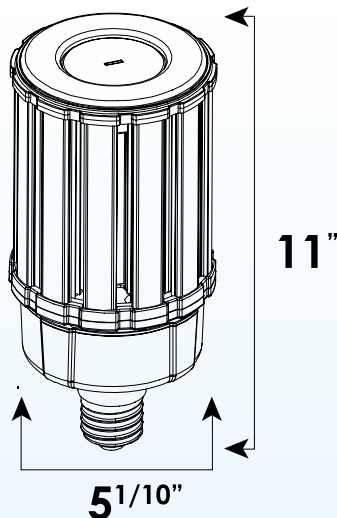
DIMENSIONS



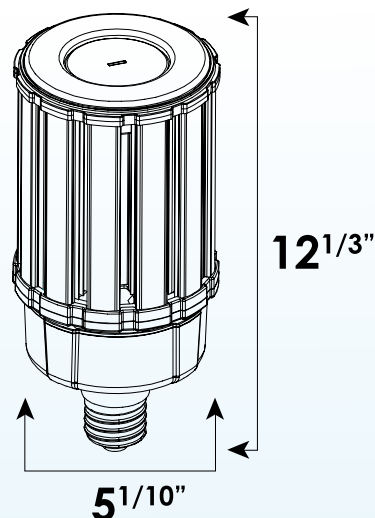
3M36 - E26



3M54 - E26



3M80 - EX39



3M120 - EX39

MOTION + DAYLIGHT SENSOR SPECS



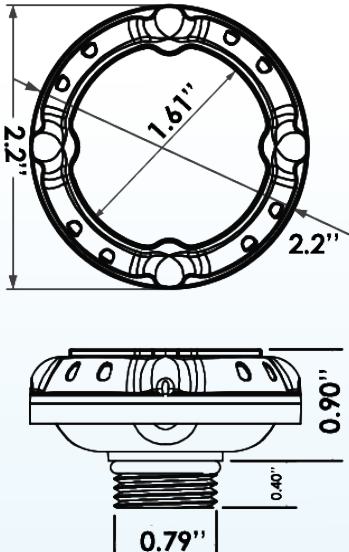
Motion + Daylight Sensor Controller



Motion and Daylight Sensor

Technical Data	
Operating Voltage	12±2VDC
Operating Current	30mA
Output	DIM 0-10V
Stand-by Power	<0.5W
Brightness	70%/80%/90%/100%
Sensitivity	20%/50%/75%/100%
Hold Time	10s/1min/10min/30min
Daylight Threshold	10Lux/30Lux/50Lux/100Lux/Disable
Stand-by Time	1min/30min/60min/+∞
Stand-by Dimming Level	10%/20%/30%/50%
Microwave Frequency	5.8GHz±75MHz
Microwave Power	<0.5mW
Detection Angle	30-150°
Control Line	Pink: +12V; Purple: DIM+; Gray: GND/DIM-
Mounting Height	Max.15m (ceiling mounted)
Detection Angle	Max.Ø15m (ceiling mounted) Max.20m (wall mounted)
Operating Temperature	-25°C (-25°F) ~+ 60°C (140°F)
IP Rating	IP65

DIMENSIONS



WIRING DIAGRAM

