

Cusp Disk Surface Mounts

5-CCT Selectable



Detail Specifications:

- 5-CCT: 27/30/35/40/50k
- Various finishes available
 - WH: White Finish
 - BZ: Bronze Finish
 - BLK: Black Finish
- IP Rating: Wet Location
- Beam Angle: 100°
- Chip: SMD 2835, R9 >50, CRI >90
- 3 Step MacAdam Ellipses
- Operating Temperature: -40° - 114° F
- Lens: Frosted Acrylic, non-yellowing
- Housing: Metal
- Average life (L70) of 50,000 hours

Applications:

- General Recessed Lighting
- Residential & Multifamily
- Office and Meeting Rooms
- Education, Healthcare, Retail, Hospitality

Product Information:

- AC technology: slim and easy driverless installation
- Ideal for remodel and new construction use
- Slim and sleek design

Driver Options:

- 120V Triac dimmable down to 5%
- THD: <20% (+/-5% tolerance), PF >0.9, 50/60Hz
- AC Driverless technology
- Flicker Free

Mounting & Installation:

- 30/40 Junction Box (including pancake j-box)

Certifications:

- ETL Listed for USA and CA
- Energy Star Certified
 - Pending ETA 7/2026
- CA Title 24 JA8-2022 CEC Listed
- 5 Year Limited Warranty
- FCC CFR 47, GCC Part 15, Subpart B:2017
- IC Rated and ASTM-E283 Air-Tight
- Complies with UL 263, ASTM E119, CAN ULC S101
- Closet Rated

Series

- LED-CDSK-4-8W-5CCT-WH**
700Lm
- LED-CDSK-6-11W-5CCT-WH**
1,000Lm
- LED-CDSK-6-11W-5CCT-BZ**
1,000Lm
- LED-CDSK-6-11W-5CCT-BLK**
1,000Lm
- LED-CDSK-8-3P27-5CCT-WH**
2,100/1,800/1,440Lm
- LED-CDSK-12-3P35-5CCT-WH**
2,800/2,400/2,000Lm

Optional Accessories (Order Separately)

Emergency Backup

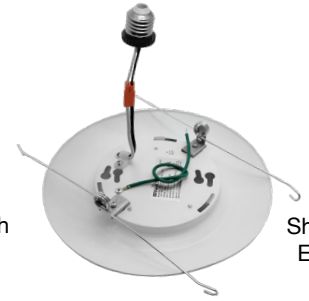
- LED-EMB-25W-HV-2P**
For fixtures up to 25W

Specs and model numbers are subject to change with or without notice. Customization of product is available.

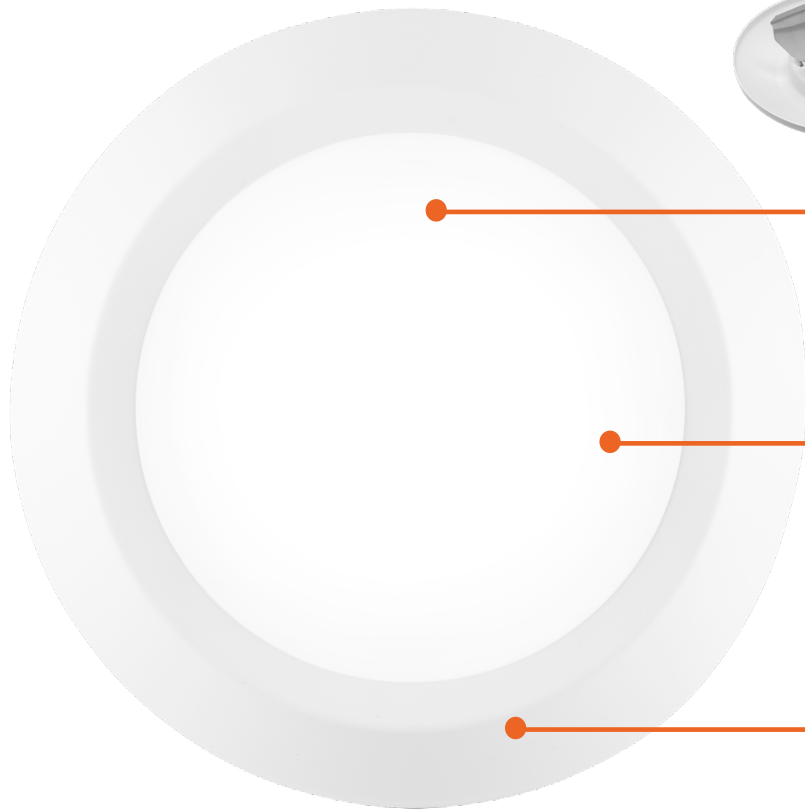
FEATURES



Shown with E26 Base



Shown with E26 Base

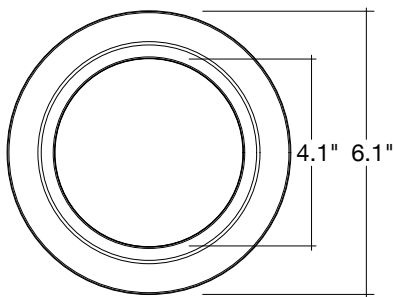


100° Beam Angle

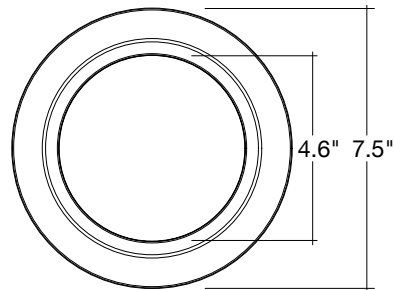
5-CCT Selectable

Metal Housing

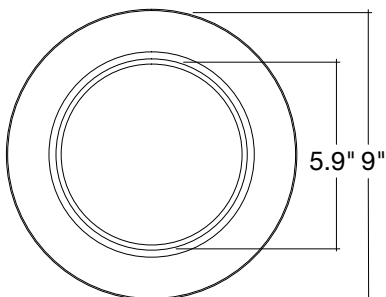
DIMENSIONS



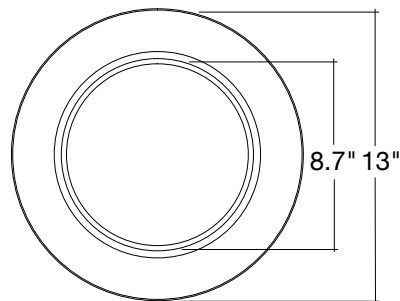
4" Disk



6" Disk



8" Disk



12" Disk

Cusp Disk Surface Mounts

5-CCT Selectable

Model	Voltage	Watts	Lumens	Color	CRI
LED-CDSK-4-8W-5CCT-WH	120V	8w	700	27/30/35/40/50K	>90
LED-CDSK-6-11W-5CCT-WH	120V	11w	1000	27/30/35/40/50K	>90
LED-CDSK-6-11W-5CCT-BZ	120V	11w	1000	27/30/35/40/50K	>90
LED-CDSK-6-11W-5CCT-BLK	120V	11w	1000	27/30/35/40/50K	>90
LED-CDSK-8-3P27-5CCT-WH	120V	27/24/20w	2,100/1,800/1,440	27/30/35/40/50K	>90
LED-CDSK-12-3P35-5CCT-WH	120V	35/30/25w	2,800/2,400/2,000	27/30/35/40/50K	>90

BATTERY BACKUP

Accessory	Description
LED-EMB-25W-HV-2P	Up to 25W fixtures



LED-EMB-25W-HV-2P

TESTED COMPATIBLE DIMMERS

Other dimmers may be compatible but have not been tested. Please contact us for more information.

Lutron
PD-6WCL
DVCL-153P
CTCL-153P
MACL-153
LECL-153P

Specs and model numbers are subject to change with or without notice. Customization of product is available.