



## 4" / 6" / 8" / 10" Commercial Downlight Module

Introducing EnVision LED's new High Performance Commercial Downlight ! EnVisions CADM series features a module which can be mounted on to your trim of choice; field selectable power and optics; and color temperature on our CADM-3M20 model. Achieve up to 5,000 lumens on our 6", 8" or 10" models with our 3M55 module.

### Mounting and Installation:

- Retrofit: cut-out ceiling size:  
 6": 6-1/8" - 7- 3/16"  
 8": 7-1/2" - 8-7/8"  
 10": 9" to 10"
- This fixture does not fit into a recessed can. No housing required for remodel applications. Use a new construction plate for new construction. See Accessories on page 3.

### Certifications:

- ETL Listed for USA and CA
- Energy Star Certified
- IC Rated and ASTM-E283 Air-Tight
- Meets CA Title 24 JA8 Requirement
- FCC CFR 47, FCC Part 15, Subpart B:2017
- 5 Year EnVision LED Limited Warranty

### Whats Included:

- LED Module and trim must be purchased separately
- Mounting Screws
- Installation Guide

### Detail Specification:

- Damp Location Rated
- CRI 90 LED Chip, R9>50
- 120-277V Driver, 50/60Hz
- Field adjustable beam angle 24-45°
- Operating Temperature: 0°F ~ +113°F
- PF >0.9, THD < 20%
- 0-10V Dimmable Down to 5%
- 3M20 is IC-Rated / 3M30 & 3M55 is non-IC Rated

### Applications:

- Commercial Lighting
- New Construction or Remodel Use
- Recessed Lighting

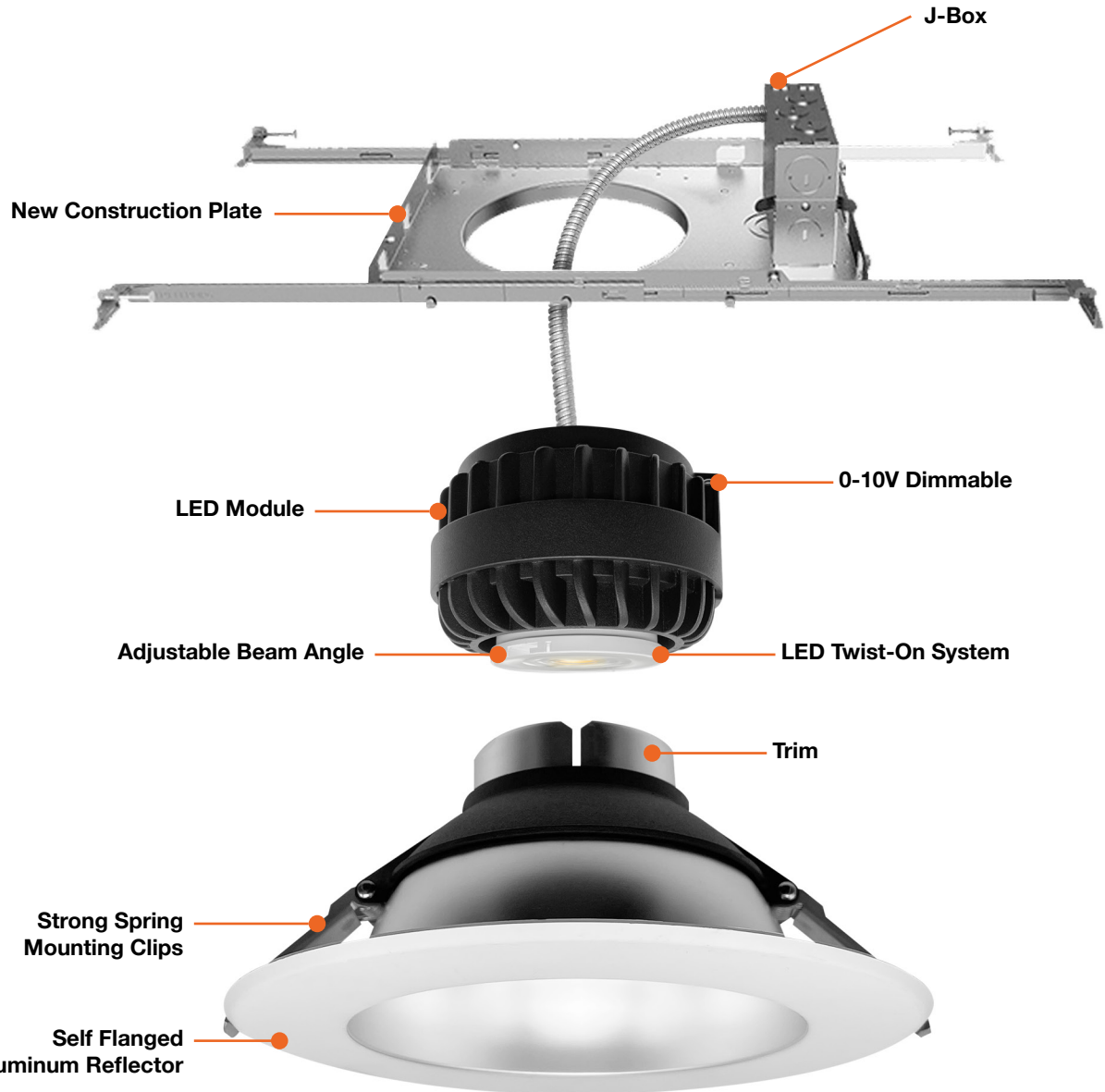
### Product Information:

- Select-N-Switch Technology
- Metal trim and module for better heat dissipation and longevity
- Various trim colors available
- Module twists and locks into the trim
- Optional Emergency Backup Available: delivers 2,250 lumens capped at modules max lumen output
- L70 @ 50,000 Hours lumen maintenance
- 4" Trims is only compatible with the 3M20 module

## LED - CADM - Watts & CCT - Voltage - Trim - Emergency

1	2	3	4	5
<b>1 Product</b> LED-CADM Commercial Downlight Module	<b>2 Watts &amp; CCT</b> 3M20-5CCT 10/12/20W - 750/1000/1500lm 27/30/35/40/50K 3M35-35K 13/20/35W - 1250/2000/3000lm 3500K 3M35-40K 13/20/35W - 1250/2000/3000lm 4000K 3M55-35K 32/40/55W - 3200/4000/5000lm 3500K 3M55-40K 32/40/55K - 3200/4000/5000lm 4000K	<b>3 Voltage</b> UNV 120-277V HV 347-480V	<b>4 Trim</b> CADM-4-CSH 4" Clear-Specular Haze Reflector/White Trim CADM-4-WH 4" White Reflector + Trim CADM-6-CSH 6" Clear-Specular Haze Reflector/White Trim CADM-6-WH 6" White Reflector + Trim CADM-8-CSH 8" Clear-Specular Haze Reflector/White Trim CADM-8-WH 8" White Reflector + Trim CADM-10-CSH 10" Clear-Specular Haze Reflector/White Trim CADM-10-WH 10" White Reflector + Trim	<b>5 Emergency</b> (Blank) None EMB 25W HV External

Specs and model numbers are subject to change with or without notice.



 **Twist-On for Easy Installation**



**Optional Emergency Back-up**



**White & Haze Reflector**



## ACCESSORIES

### TRIMS



### GOOF RINGS



**GR-6-WH**

6" Goof Ring, Inner Dim: 6.3" Outer Dim: 10.5"

**GR-8-WH**

8" Goof Ring, Inner Dim: 8" Outer Dim: 12.5"

**GR-10-WH**

10" Goof Ring, Inner Dim: 9" Outer Dim: 14.1"

### BOX & PLATES



**JBOX-ALM**

Junction Box (6 Knock-Outs)

**C4-NC-RI-J-JBX**

4" Commercial New Construction Plate with Joist Bar + J-Box

**C6-NC-RI-J-JBX**

6" Commercial New Construction Plate with Joist Bar + J-Box

**C8/10-NC-RI-J-JBX**

8/10" Commercial New Construction Plate with Joist Bar + J-Box

### EMERGENCY BACK-UP



**LED-EMB-25W-HV-0/10V**

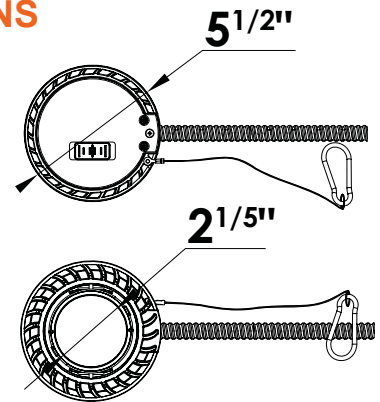
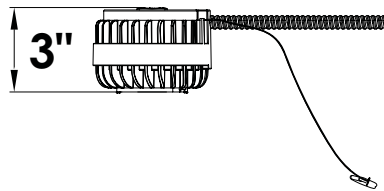
Emergency Back Up For Interl Drivers  
(Works with all 0-10V Dim or <25W fixtures  
-Single Sided Flex-

Model	Description
CADM-4-CSH	4" Clear-Specular Haze Reflector/White Trim
CADM-4-WH	4" White Reflector + Trim
CADM-6-CSH	6" Clear-Specular Haze Reflector/White Trim
CADM-6-WH	6" White Reflector + Trim
CADM-8-CSH	8" Clear-Specular Haze Reflector/White Trim
CADM-8-WH	8" White Reflector + Trim
CADM-10-CSH	10" Clear-Specular Haze Reflector/White Trim
CADM-10-WH	10" White Reflector + Trim

Accessory Model	Description
GR-6-WH	6" Goof Ring, Inner Dim: 6.3" Outer Dim: 10.5"
GR-8-WH	8" Goof Ring, Inner Dim: 8" Outer Dim: 12.5"
GR-10-WH	10" Goof Ring, Inner Dim: 9" Outer Dim: 14.1"
JBOX-ALM	Junction Box (6 Knock-Outs)
C4-NC-RI-J-JBX	4" Commercial New Construction Plate with Joist Bar + J-Box
C6-NC-RI-J-JBX	6" Commercial New Construction Plate with Joist Bar + J-Box
C8/10-NC-RI-J-JBX	8/10" Commercial New Construction Plate with Joist Bar + J-Box
LED-EMB-25W-HV-0/10V	Emergency Back Up For Interl Drivers (Works with all 0-10V Dim or <25W fixtures -Single Sided Flex-

### DIMENSIONS

Compatible with 6", 8", 10"



Compatible with 4", 6", 8", 10"

