

UFO High Bays EcoValue Line

2-CCT + 2-Power Selectable



Detail Specifications:

- Finish: Black or White
- 2-CCT: 4000K or 5000K
- IP Rating: IP67
- Beam Angle: 110°
- Chip: SMD 2835, R9 >50, CRI >80
- Operating Temperature: -40° - 113° F
- Lens: Clear Acrylic
- Average life (L70) of 50,000 hours

Applications:

- Warehouse/Distribution Facility
- Utility & Storage
- Garage Structures
- Commercial and Industrial

Product Information:

- Sturdy die-cast aluminum housing finished with corrosion free powder coat
- Compact design for easy installation
- Replace existing fixtures or use in new construction
- Instant-On to full brightness
- Select-n-Switch Technology: 2-CCT + 3-Power Selectable
- Twist-C Control: Control ready receptacle built into each fixture
 - Standard Sensors
 - SILVAIR Bluetooth Mesh
 - ENVISIONLS Bluetooth
 - [Click Here](#) for More Information

Driver Options:

- UNV: 120-277V 0-10V Dimmable
- THD: <20% (+/-5% tolerance), PF >0.9, 50/60Hz
- Flicker Free

Mounting & Installations:

- 6' whip included
- Clip on eye hook included with each fixture
- Optional pendant mount for ½" pipe available
- Optional surface mount kits available

Certifications:

- UL Listed for USA and CA
- DLC Premium Listed
 - Pending ETA May 2026
- NSF Listed
- ROHS Compliant
- Approved for CA T24
- 3 Year Limited Warranty
- FCC CFR 47, GCC Part 15, Subpart B:2017

3P150		3P240	
WATT	LUMENS	WATT	LUMENS
100	14,000	180	25,200
120	16,800	200	29,400
150	21,000	240	33,600

Series	Finish	Whip	Voltage	EMB
ECV-RHB3-3P150-40/50K	BL	6'	UNV	(Blank)
150/120/100W	Black	6' Whip	120-277V	No
4000k or 5000K	WH	(Incl.)		Emergency Backup
ECV-RHB3-3P240-40/50K	White	CS		EMB
240/200/180W		Extend to		90 Minute Emergency Backup
4000k or 5000K		Custom Length		SEMB
				Surface mount
				90 min emergency backup

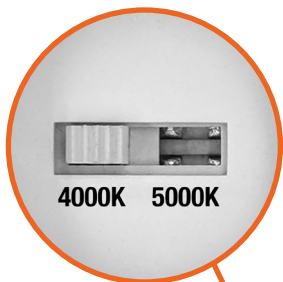
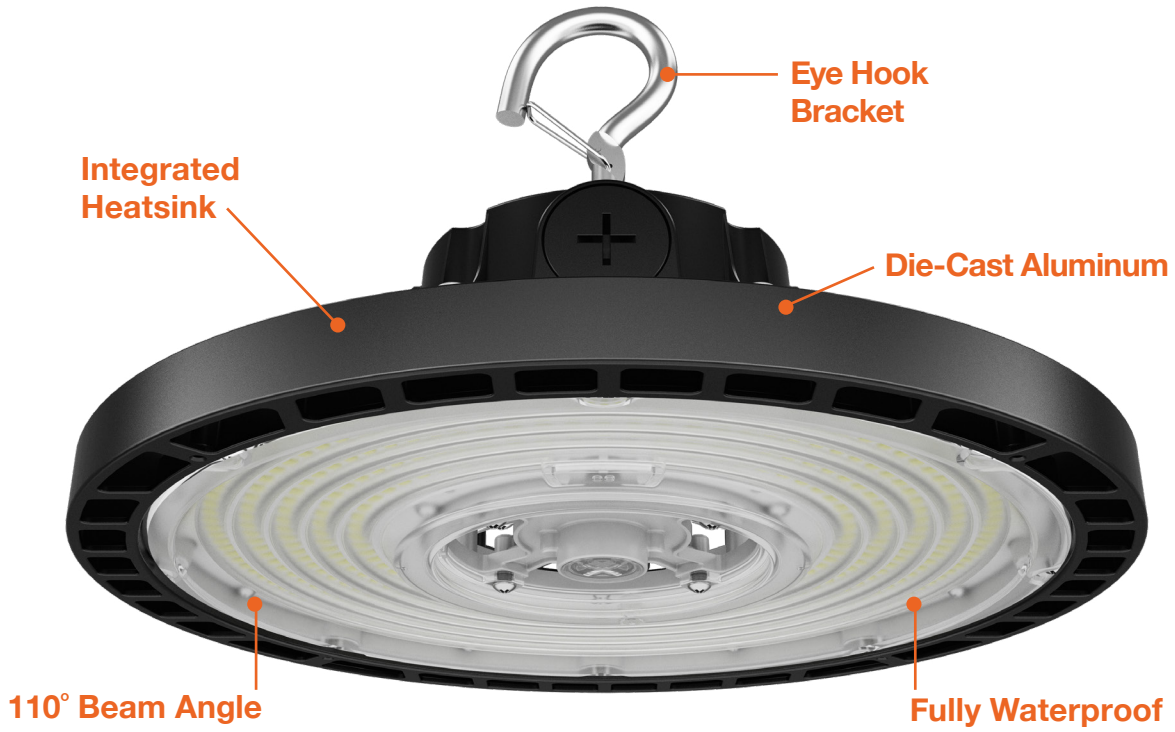
1. Only available in black. White models available in "non-3B" models.

Optional Accessories (Order Separately)

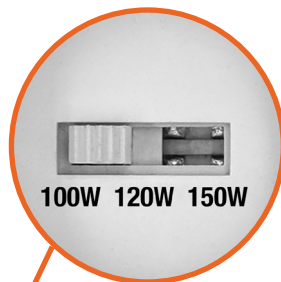
Sensors 1	Reflectors 2	Reflector Bottom Cover 3	Wire Guards	Mounting Kits 4	Emergency Backup
S-TWC-PIR-ON/OFF PIR Sensor On/Off Only 5/10/15min	RHB3-100/150-ALM-RF-90 Aluminum Reflector for 100 & 150W	RHB3-UNV-ACR-BC Only Works with Acrylic Lens	RHB3-100/150-WG Wire Guard for 100 & 150W	RHB-100/150-SM Surface Mount Kit for 100 & 150W	LED-EMB-30W-HV-UFO-WH Pendant Emergency Backup (White)
S-TWC-PIR-1 PIR Bi-Level Motion + Daylight Sensor Remote Req'd	RHB3-240-ALM-RF-90 Aluminum Reflector for 240W		RHB3-240-WG Wire Guard for 240W	RHB-240-SM Surface Mount Kit for 240W	LED-EMB-30W-HV-UFO-BL Pendant Emergency Backup (Black)
S-TWC-PIR-SL PIR SILVAIR Bluetooth Mesh	RHB3-100/150-ACR-RF 90° Acrylic Reflector for 100 & 150W			RHB-PDM-HK ½" Pip Pendant Mount	UFO-TEST-CTR Test Button Controller
S-TWC-PIR-BT PIR ENVISIONLS Bluetooth Control	RHB3-240-ACR-RF 90° Acrylic Reflector for 240W			SK-10FT-Y-LC-CB Suspension Kit: 10' Y-Shape, Loop Top, Carabiner Bottom (Adjustable Length)	
		1. Reflectors and wire guards can't be mixed together. i.e. if fixture uses a reflector, it won't work with a wire guard.		SK-20FT-Y-LC-CB Suspension Kit: 20' Y-Shape, Loop Top, Carabiner Bottom (Adjustable Length)	
		2. Aluminum reflector is not compatible with acrylic bottom cover			

Specs and model numbers are subject to change with or without notice.

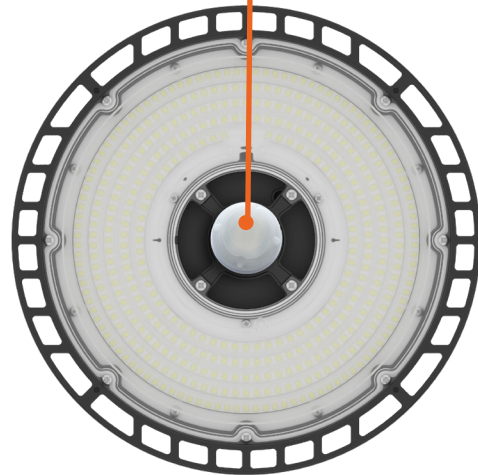
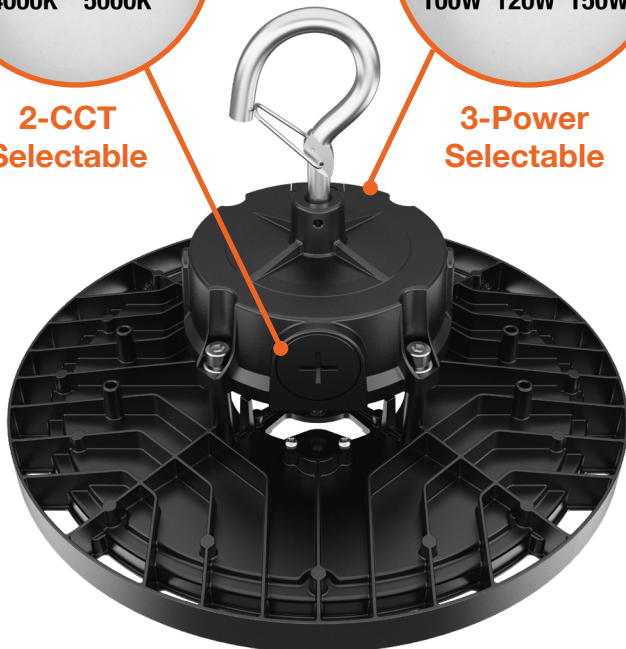
FEATURES



**2-CCT
Selectable**



**3-Power
Selectable**



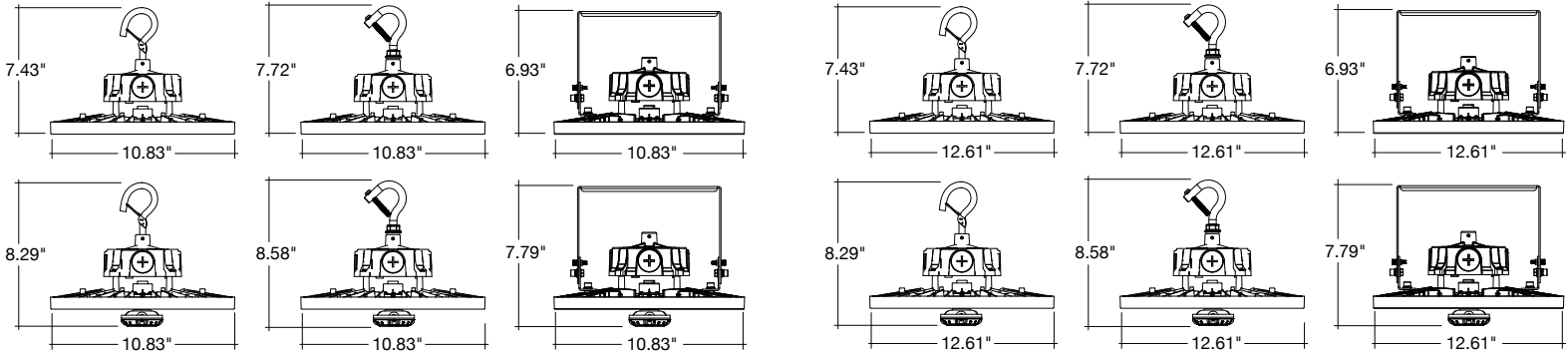
DIMENSIONS

Pendant Mount

Surface Mount

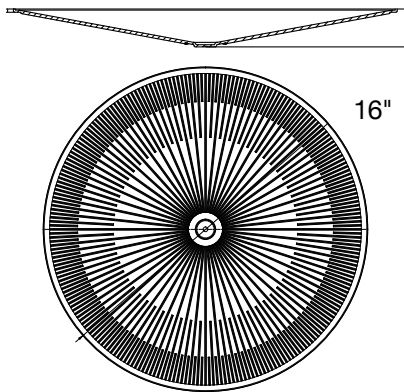
Pendant Mount

Surface Mount



3P150W

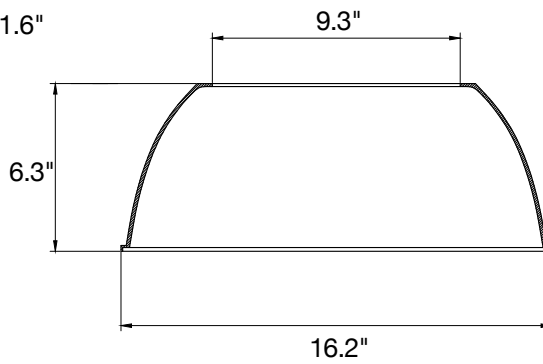
3P240W



Acrylic Bottom Cover (90°)

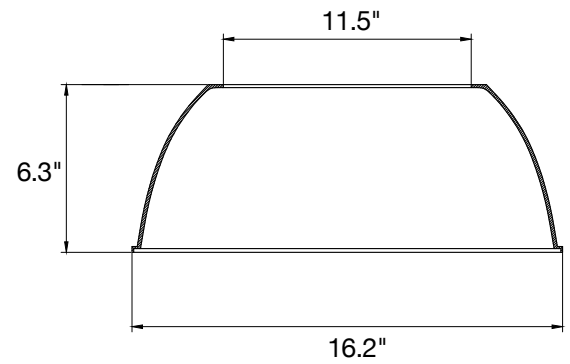
RHB3-UNV-ACR-BC

Only Compatible with ACR Reflectors



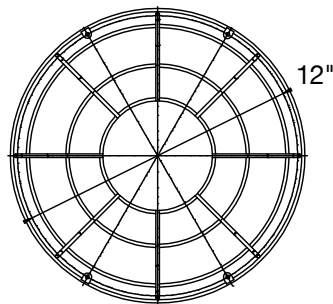
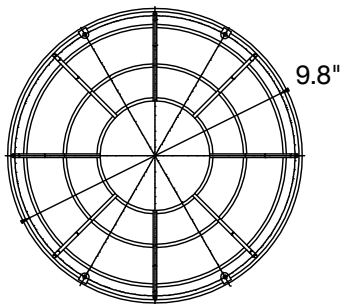
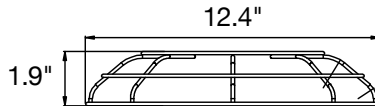
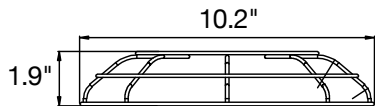
Acrylic Reflector (90°)

RHB3-100/150-ACR-RF



Acrylic Reflector (90°)

RHB3-240-ACR-RF

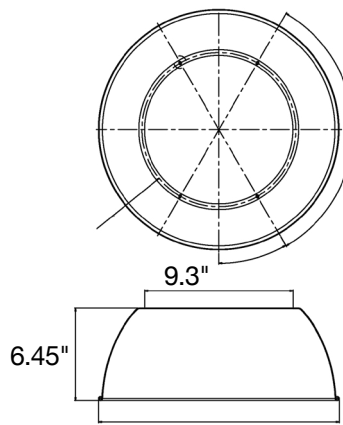


Wire Guard

RHB3-100/150-WG

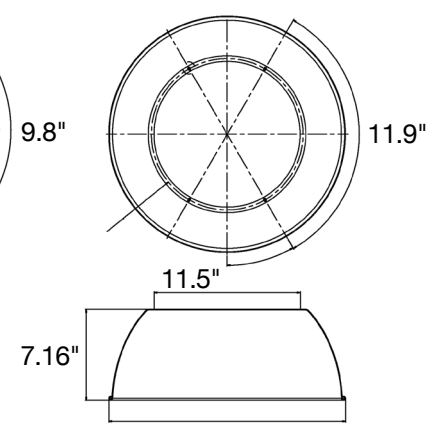
Wire Guard

RHB3-240-WG



Aluminum Reflector

RHB3-100/150-ALM-RF-90



Aluminum Reflector

RHB3-240-ALM-RF-90



RHB3-100/150-ALM-RF-90
OR
RHB3-240-ALM-RF-90



RHB3-100/150-ACR-RF
OR
RHB3-240-ACR-RF



RHB3-100/150-ACR-RF
OR
RHB3-240-ACR-RF
+
RHB3-UNV-ACR-BC



Acrylic Reflector
Bottom Cover & Sensor



RHB3-100/150-WG
OR
RHB3-240-WG



SK-10FT-Y-LC-PD
SK-20FT-Y-LC-PD



RHB-PDM-HK



RHB-100/150-SM
RHB-240-SM



UFO-TEST-CTR



LED-EMB-30W-HV-UFO-BL
LED-EMB-30W-HV-UFO-WH



S-TWC-PIR-ON/OFF



S-TWC-PIR-1
S-TWC-PIR-SL

Model	Voltage	Watts	Lumens	Color	CRI
ECV-RHB3-3P150-40/50K-BL-UNV-6	120-277V	150/120/100w	130lm/w	40/50k	>80
ECV-RHB3-3P150-40/50K-WH-UNV-6	120-277V	150/120/100w	130lm/w	40/50k	>80
ECV-RHB3-3P240-40/50K-BL-UNV-6	120-277V	240/200/180w	130lm/w	40/50k	>80
ECV-RHB3-3P240-40/50K-WH-UNV-6	120-277V	240/200/180w	130lm/w	40/50k	>80

REFLECTORS

Accessory Model	Description
RHB3-100/150-ALM-RF	90° Aluminum reflector for 100 & 150W
RHB3-240-ALM-RF	90° Aluminum reflector for 240W
RHB3-100/150-ACR-RF	90° Acrylic reflector for 100 & 150W
RHB3-240-ACR-RF	90° Acrylic reflector for 240W

REFLECTOR BOTTOM COVERS

Accessory Model	Description
RHB3-UNV-ACR-BC	Acrylic Bottom Cover 90° (Only acceptable with Acrylic Lens)

WIRE GUARDS

Accessory Model	Description
RHB3-100/150-WG	Wire guard for 100 & 150W
RHB3-240-WG	Wire guard for 240W

MOUNTING KITS

Accessory Model	Description
RHB-PDM-HK	Pendant Mount Hook 1/2" Pipe
RHB-100/150-SM	100/150w Surface Mount
RHB-240-SM	240w Surface Mount
SK-10FT-Y-LC-PD	10' Y-Shape, Loop Top, Paddle Bottom (Adjustable Length)
SK-20FT-Y-LC-PD	20' Y-Shape, Loop Top, Paddle Bottom (Adjustable Length)

EMERGENCY BACKUP









Accessory Model	Description
LED-EMB-30W-HV-UFO-BL	Emergency Back Up For Internal Drivers- High Voltage 170V Output - Includes Round UFO HighBay EM Kit (Black)
LED-EMB-30W-HV-UFO-WH	Emergency Back Up For Internal Drivers- High Voltage 170V Output - Includes Round UFO HighBay EM Kit (White)
LED-EMB-30W-HV-480-0/10V	Emergency Backup: 277-480V, 400V DC Output 0-10V Dim - Single Flex-
UFO-TEST-CTR	Test Button Controller

SENSORS

Pre-Installed Accessory Model	Description
S-TWC-PIR-ON/OFF	PIR On/Off Only: Twist-C 5/10/15 Min
S-TWC-PIR-1	PIR Bi-Level + Daylight: Twist-C
S-TWC-PIR-SL	PIR SILVAIR Bluetooth Mesh
S-TWC-PIR-BT	PIR ENVISIONLS Bluetooth Control

EnVisionLED™ Control Options

EnVision LED offers 3 control systems compatible with our LED Fixtures for projects of all sizes and budgets.

	Basic Controls	EnVisionLS 	EnVisionLED™ x SILVAIR 
Description	Standard Plug In Sensors	Basic Bluetooth Wireless Control	Advanced Bluetooth Wireless Control
Recommended Quantity (but not limited to)	N/A	>40-50 Nodes	>50 Nodes
Maximum Zone Quantity	N/A	100	3,000
Commissioning Tool	Remote Only	  ENVISIONLS App 	  SILVAIR App 
Commissioning Process	Individually Set via Remote	Wireless Must be done on site	Wireless- Initial linking must be done on site. Commissioning can be done via desktop remotely.
Floor Plan Upload	N/A	N/A	Yes Add a floor plan and mark luminaires & zones via desktop
Gateway	N/A	N/A	Required only for energy monitoring, advanced scheduling, automated demand response.
Individual Luminaire Control	Yes	Yes	Yes
Luminaire Grouping Zoning	N/A	Yes	Yes
High End Power Low End Power	Yes but limited (View Remote)	Yes	Yes
Cost	\$	\$\$	\$\$\$
DLC NLC Listed	N/A	Yes	Yes
Energy Monitoring & Data Reporting	N/A	N/A	Monitor energy usage per individual zone & retrofit cost savings calculation + detailed reporting



Compatible Products:

EnVision offers a variety of nodes, sensors, & gateways that are controlled via remote, ENVISIONLS Bluetooth Mesh & SILVAIR Bluetooth Mesh on all of our 0-10V dimmable fixtures.



Individual Fixture Controls: PIR Sensor, Bi-Level Dimming, Daylight

Basic Note: **-1** • ENVISIONLS Models Note: **-BT** • SILVAIR Models Note: **-SL**

	MODEL #	DESIGN	RECOMMENDED FIXTURE	FEATURES
	S-TWC-PIR-1 S-TWC-PIR-BT S-TWC-PIR-SL	Twist-C Control Sensor	Sensor Ready Fixtures: Area Lights, Canopies, Flood Lights, High Bays	All models are equipped with PIR occupancy sensing, high & low end bi-level dimming, & daylight sensing.
	S-TWC-90 + S-TWC-PIR-1 S-TWC-90 + S-TWC-PIR-BT S-TWC-90 + S-TWC-PIR-SL	Twist-C Control Sensor + 90 Degree Arm	Cylinders, Strips, Wall Packs	
	S-AUD-PIR-1 S-AUD-PIR-BT S-AUD-PIR-SL	2.5m Audio Jack	Panels & Troffers	
	S-SN-PIR-1 S-SN-PIR-BT S-SN-PIR-SL	Snap In Sensor	Troffers & Wraps	

Group Controls ENVISIONLS Models Note : **-BT** • SILVAIR Models Note: **-SL**

	MODEL #	DESIGN	VOLTAGE	FEATURES	RECOMMENDED FEATURES
	S-CM-PIR-LV-BT S-CM-PIR-LV-SL	Ceiling Mounted PIR Sensor	12-24V	PIR Sensor, Bi-Level Dimming, Daylight, 360° detection, 12' Max Mounting Height	Connects to 0-10V dimmable fixtures
	S-WM-PIR-CUNV-BT S-WM-PIR-CUNV-SL	Wall Mounted PIR Occupancy Sensor, Bi-Level Dimming, Daylight	120-277V	On/Off PIR occupancy sensor, 180° detection, 30' detection @ 4' Mounting Height	Connects to LED fixtures
	S-WS-120V-USB-SL		120V	Dimming Wall Socket, Two Sockets	Floor Lamps, Other Lamps

Gateway (Silvair Only) 4.5–5.5 V DC, 2A Power over Ethernet 36–57 V DC

	MODEL #	DESIGN	VOLTAGE	FEATURES	RECOMMENDED FEATURES
	SGW-102	Wall or Ceiling Mounted	POE	Advanced Energy Monitoring Control	Connects to Silvair Controls. Gateway is not required.