

4" & 6" Square Retrofit Downlights

5-CCT Selectable

Retrofit Downlights



4"



6"

Detail Specifications:

- Finish: White, Black, Bronze, Custom
- Wet Location Rated
- Beam Angle: 100°
- Chip: SMD 2835, R9 >50, CRI >90
- 3 Step MacAdam Ellipses
- Operating Temperature: -40° - 114° F
- Lens: Frosted acrylic, non-yellowing
- Wet Location Rated
- Average life (L70) of 50,000 hours

Applications:

- General Recessed Lighting
- Residential & Multifamily
- Office and Meeting Rooms
- Education, Healthcare, Retail, Hospitality

Product Information:

- 5-CCT Selectable: 27/30/35/40/50K
- Fixture includes orange led quick connect and E26 base adapter
- Ideal for use in both remodel and new construction applications
- Di-cast aluminum housing and trim for better heat dissipation

Driver Options:

- 120V Triac Dimmable down to 5%
- Built in 2.5Kv Surge Protector
- Flicker Free

Mounting & Installation:

- 4": Tension clip springs fit into most 4" compatible recessed cans
- 6": Springs clips fit into most 5 & 6" compatible recessed cans
- Retrofit into existing housing with E26 socket
- Can be removed from below the ceiling for service or replacement

Certifications:

- ETL Listed for USA and CA
- Energy Star Certified
- CA Title 24 JAB-2022 GEC Listed
- Meets LM-79 & LM-80 Standards
- FCC CFR 47, GCC Part 15, Subpart B:2017
- IC Rated and ASTM-E283 Air-Tight
- Complies with UL 263, ASTM E119, CAN ULC S101
- 5 Year Limited Warranty

Series

LED-DL-SQ-4-11W-5CCT
11W • 750Lm
LED-DL-SQ-6-14W-5CCT
14W • 1,100Lm

Optional Accessories (Order Separately)

4" Trim Options

DL-SQ-4-TRIM-BLK-SM
Black Smooth
DL-SQ-4-TRIM-BZ-SM
Bronze Smooth

6" Trim Options

DL-SQ-6-TRIM-BLK-SM
Black Smooth
DL-SQ-6-TRIM-BZ-SM
Bronze Smooth

Housing & Cans

C4-NC-ICAT-LED
4" IC Rated Can:
New Construction
C4-RM-ICAT-LED
4" IC Rated Can:
Retrofit
C6-NC-ICAT-LED
6" IC Rated Can:
New Construction
C6-RM-ICAT-LED
6" IC Rated Can:
Retrofit

Fire Rated Housings & Cans

C4-NC-ICAT-LED-FR
4" IC Rated Can:
New Construction
C6-NC-ICAT-LED-FR
6" IC Rated Can:
New Construction

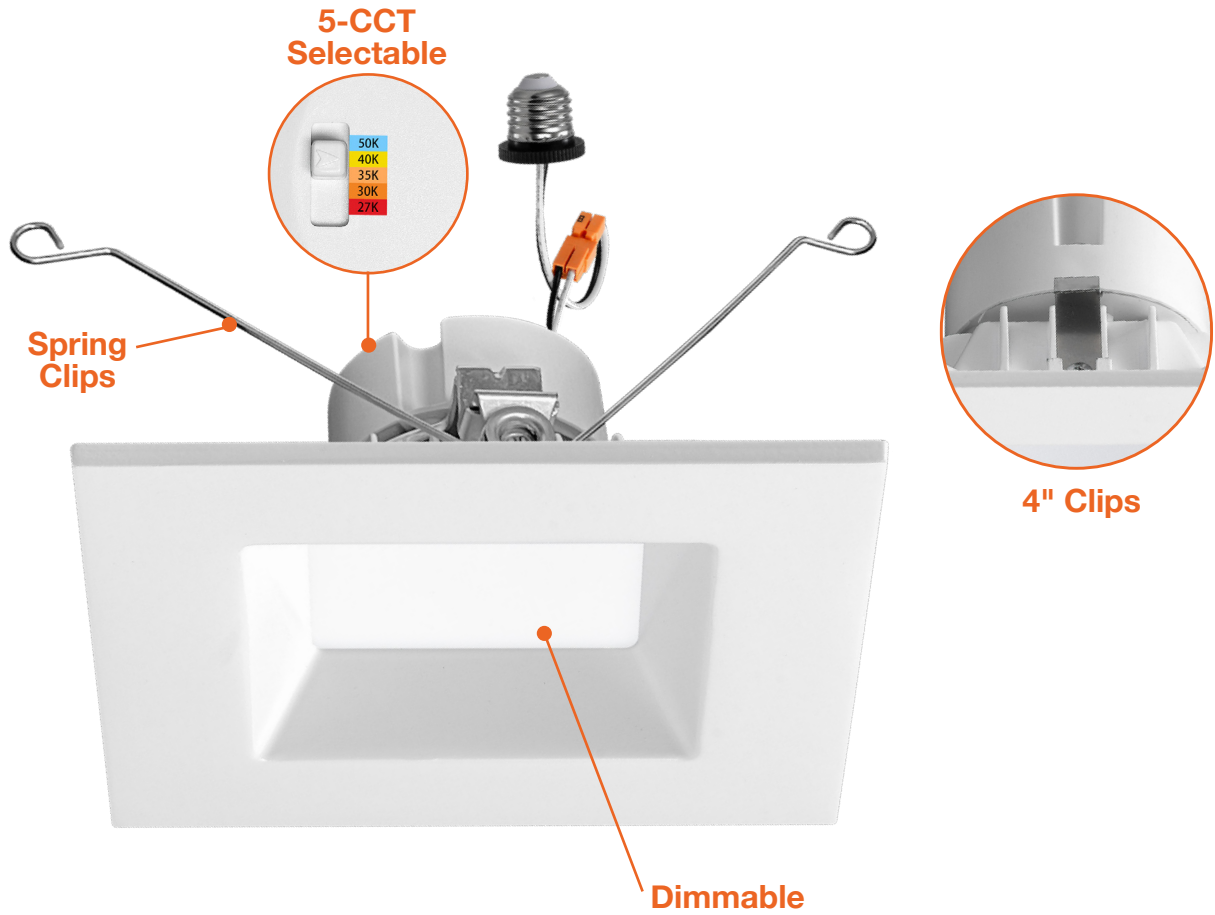
Emergency Backup¹ (Field Install)

LED-EMB-25W
-HV-0/10V-2P
Up to 24W fixtures

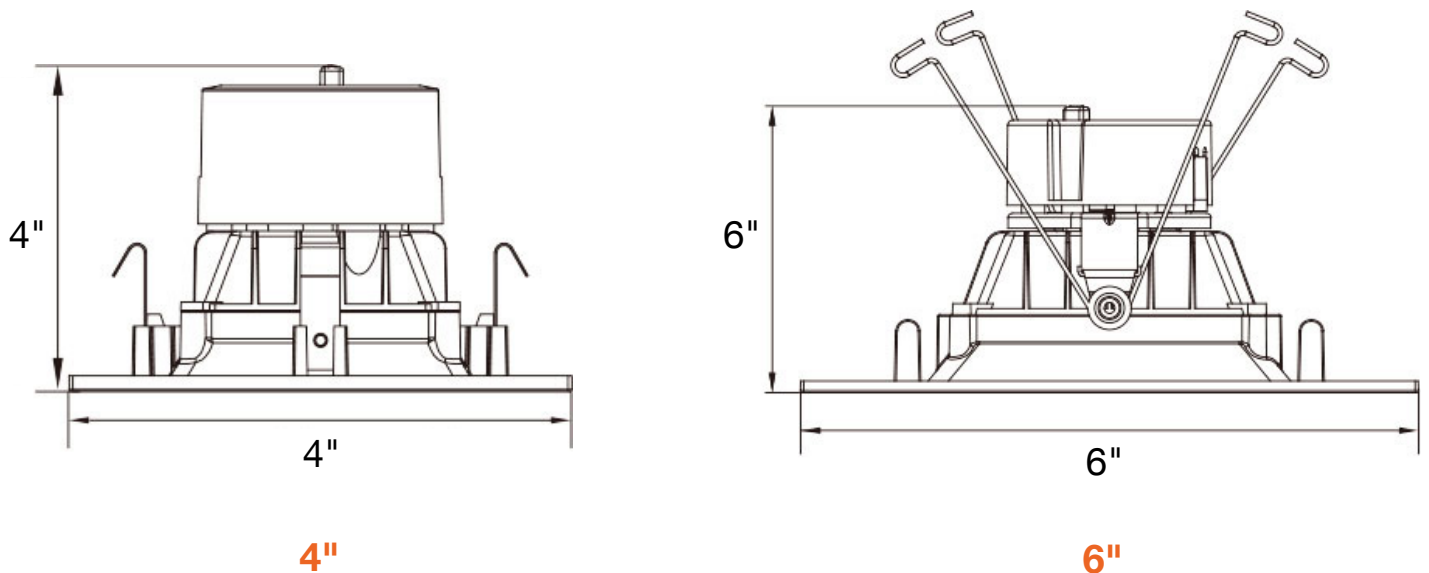
1. Field installable.
Lasts 90 minutes.

Specs and model numbers are subject to change with or without notice.

FEATURES



DIMENSIONS





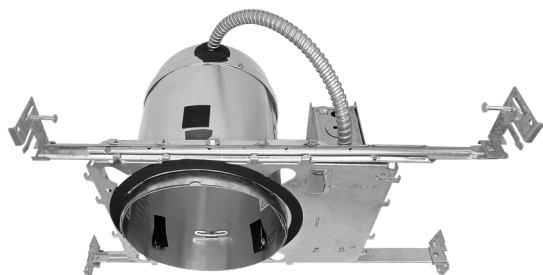
BLK



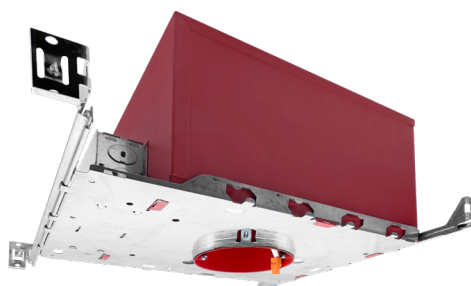
BZ



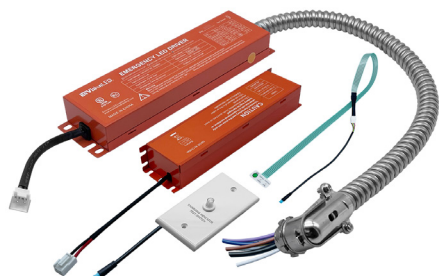
C4-RM-ICAT-LED
C6-RM-ICAT-LED



C4-NC-ICAT-LED
C6-NC-ICAT-LED



C4-NC-ICAT-LED-FR
C6-NC-ICAT-LED-FR



LED-EMB-25W-HV-0/10V-2P

Model	Voltage	Watts	Lumens	Color	CRI
LED-DL-SQ-4-11W-5CCT	120V	11w	750	27/30/35/40/50K	>90
LED-DL-SQ-6-14W-5CCT	120V	14w	1100	27/30/35/40/50K	>90

Downlight Trims

Accessory Model	Description
DL-SQ-4-TRIM-BLK-SM	DL-SQ-4 Black Smooth Trim
DL-SQ-4-TRIM-BZ-SM	DL-SQ-4 Bronze Smooth Trim
DL-SQ-6-TRIM-BLK-SM	DL-SQ-6 Black Smooth Trim
DL-SQ-6-TRIM-BZ-SM	DL-SQ-6 Bronze Smooth Trim

HOUSING & CANS

Model	Voltage	Description
C4-NC-ICAT-LED	120-277V	4" IC Rated Can (New Construction)
C4-RM-ICAT-LED	120-277V	4" IC Rated Can (Remodel)
C6-NC-ICAT-LED	120-277V	6" IC Rated Can (New Construction)
C6-RM-ICAT-LED	120-277V	6" IC Rated Can (Remodel)

FIRE RATED HOUSING & CANS

Model	Voltage	Description
C4-NC-ICAT-LED-FR	120-277V	4" Fire Rated IC Can (New Construction)
C6-NC-ICAT-LED-FR	120-277V	6" Fire Rated IC Can (New Construction)

BATTERY BACK-UP

Accessory	Description
LED-EMB-25W-HV-0/10V-2P	Up to 24W fixtures

TESTED COMPATIBLE DIMMERS

Other dimmers may be compatible but have not been tested. Please contact us for more information. **TRIAC/ELV Dimmers**

Lutron	Leviton	Eaton
DVCL-153P	R62-06674-P0W	SAL06P-LA-K
MACL-153MH	R12-06672-1LW	
CTCL-153P	6602	
P-PKG1W-WH-R	R50-IPL06-10M	