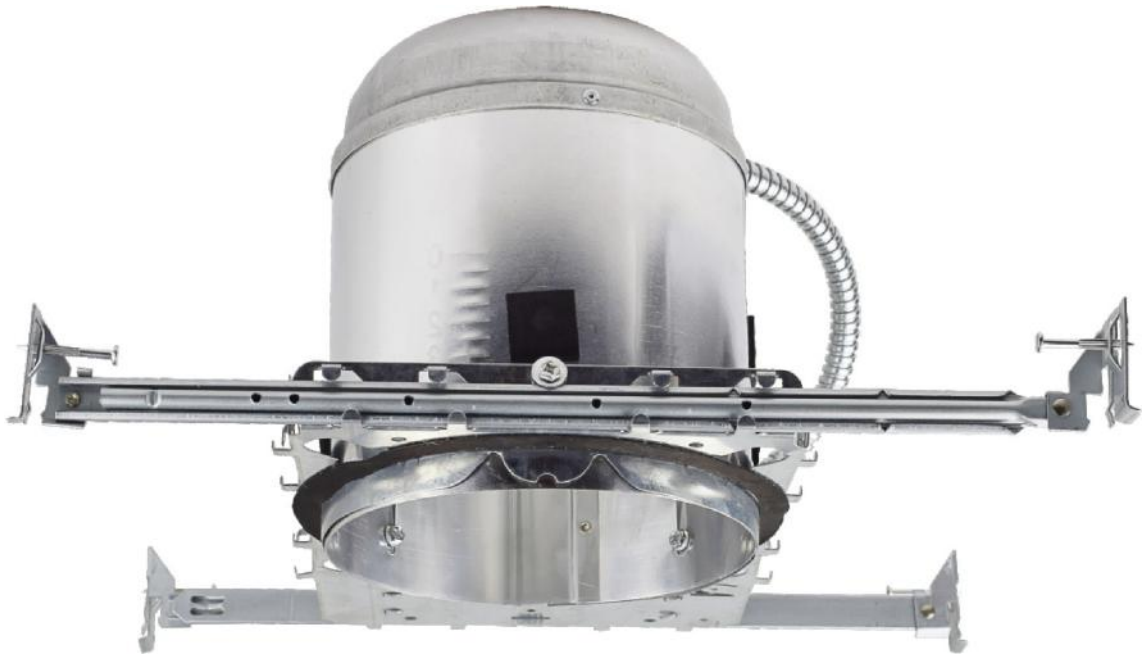


Project: \_\_\_\_\_  
 Part#: \_\_\_\_\_  
 Type: \_\_\_\_\_

# 4" New Construction Can

The EnVision LED 4" Can is suitable for use with EnVision LED 4" models that are available in various selections. Choose the correct can for your application with our remodel or new construction version. Both cans are IC-Rated and have an LED quick connect input.



### Housing:

- Single wall painted steel housing gasket for IC-Air tight in insulated ceiling
  - Airtight, prevent heated airflow diffusion
- IC type, can be directly installed on insulation lagging of ceiling

### Listings:

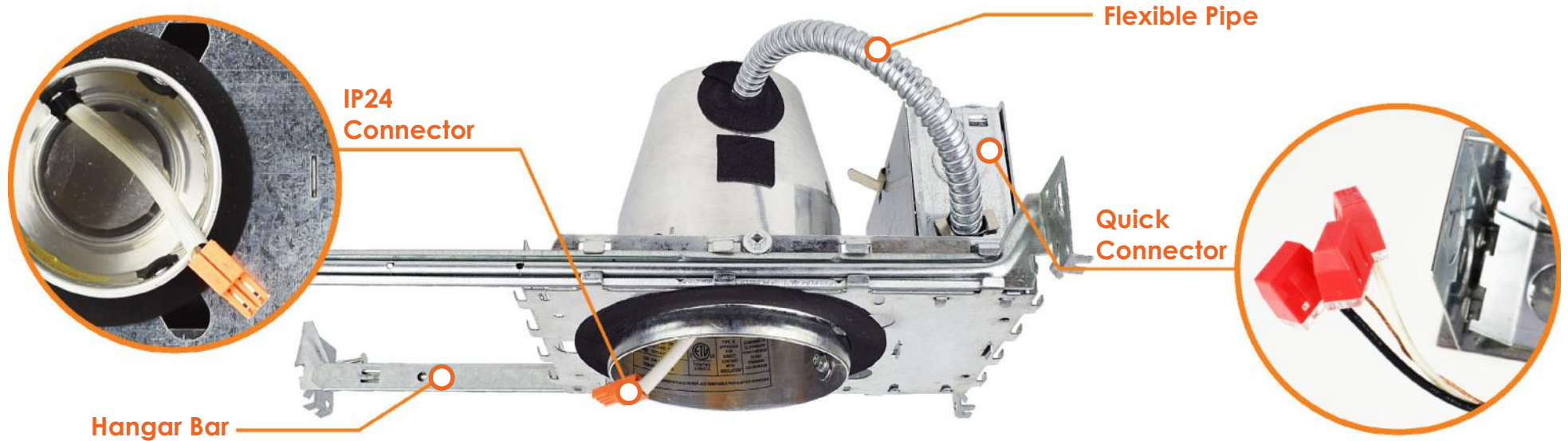
- cUL Listed for damp location
- cUL Listed for Air Tight construction
  - Meets Title 24 requirement
  - cETLus

**C 4 - N C - I C A T - L E D**

<b>1</b>	<b>Product</b>	<b>2</b>	<b>Volts</b>	<b>3</b>	<b>Wattage</b>	<b>4</b>	<b>Warranty</b>
C4-NC-ICAT-LED	4" New Construction	120/277V	50W Max	(Blank)	5 Yr (incl.)		

*Specs and model numbers are subject to change with or without notice*

**FEATURES**



**DIMENSIONS**

