

**High Bay 360° Passive Infrared
Line Voltage Occupancy
Dimming Sensor**



Model No.: MPC-50HD

Description: The MPC-50HD 360 ° occupancy sensor uses advanced PIR technology to turn on the lights when motion is detected and dim the lights to reduce energy when there is no movement is present. The sensor will also automatically turn off the lights if no movement is detected within the amount of time selected in the time delay. The MPC-50HD is specially designed with 4 operation modes for use in areas with high ceilings such as warehouses, distribution centers, and gymnasiums along with 0-10VDC fixtures. Be sure to attach the appropriate lens based on the ceiling height. There are two lens choices available, lens 1 and lens 2. Lens 1 is an extended range lens that provides up to 2800 sq. ft. of coverage at a maximum installation height of 50 ft. Lens 2 is a high density lens that provides up to 1200 sq. ft. of coverage at a maximum installation height of 8 ft.

Features:

- LED indicator of occupancy detection for easy verification of coverage
- Easy front access to time delay, sensitivity range and ambient light level adjustment
- 18" wire leads for easy installation
- 4 operation modes include dimming
- Easy mounting using 1/2" knockout
- Hardware choices for side and back mount
- Compatible with all program start ballasts and most 0-10VDC LED drivers
- Zero crossing circuitry reduces stress on relay and extends sensor life

Specifications:

Voltage	120/277VA,50/60Hz
Load Requirements:	
@ 120VAC800W ballast or tungsten
@ 277VAC	1200W ballast
@ 120VAC	1/4 hp
Resistive	10Amps
LED	0-10VDC
Adjustable Light Level	30FC—500FC
Sensitivity Adjustable	30% to 100%
Operating Temperature	32°to 131°F (0°to 55°C)
Relative Humidity	20-90%, non-condensing
Material.....	ABS
Warranty.....	2 years

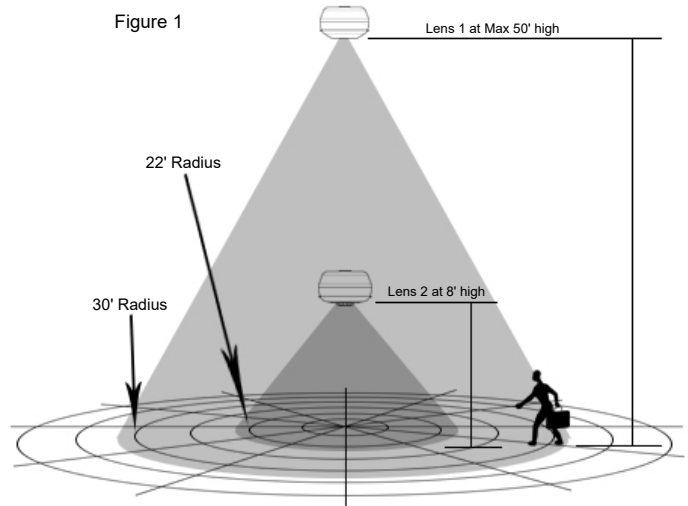
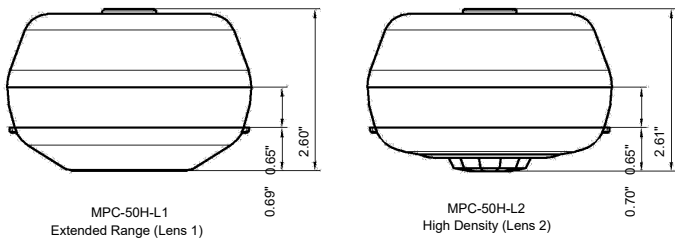
Testing and Code Compliance:



Coverage:

Lens choices:

The coverage area is determined by the type of lens attached to the MPC-50HD. (See Figure 1).



Lens Specifications:

MPC-50H-L1:

Mounting height.....50ft
 Field of view360°
 Coverage.....2800 sq.ft

MPC-50H-L2:

Mounting height.....8ft
 Field of view360°
 Coverage.....1200 sq.ft

INSTALLATION

The MPC-50HD can be directly attached to the fixture or ceiling, or attached to the fixture or junction box with the provided housing. (See Figure 3 and 4 below)

Mounting the Housing

The Housing comes ready to install on the side of a fixture or junction box. To mount the Housing on the surface of the fixture or ceiling, twist off the lock nut on the connector and remove the connector. Then install it on the back of the Housing and cover the side knockout with the knockout cover.

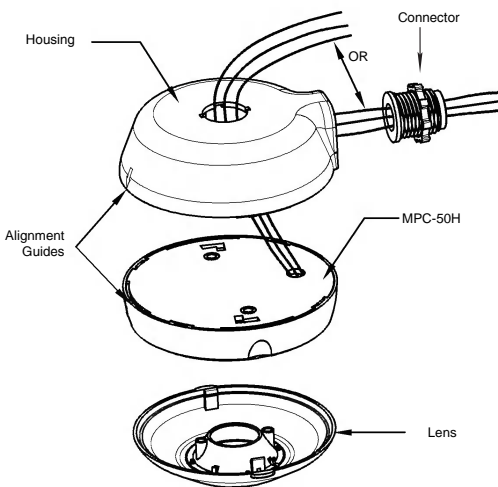


Figure 3

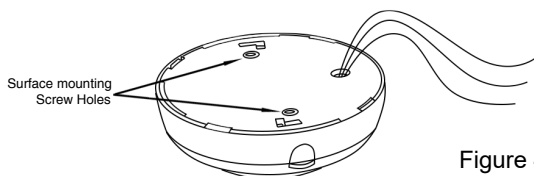


Figure 4

WIRING DIRECTIONS

Refer to the wire diagrams of the sensor (See Figure 1 and 2)

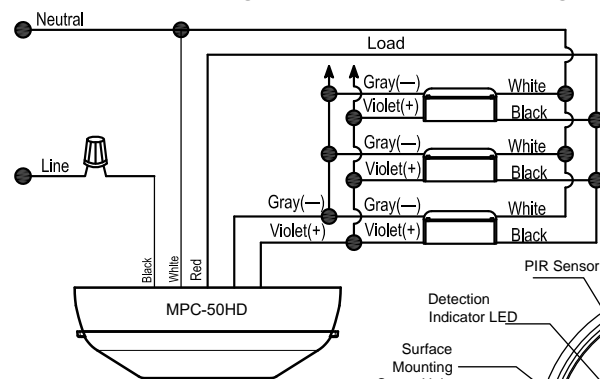
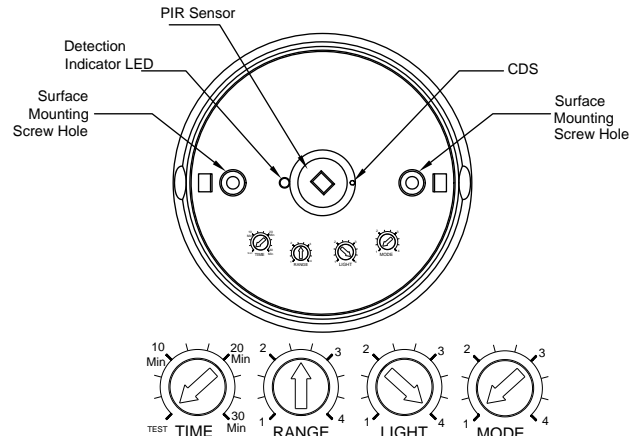


Figure 2

SENSOR ADJUSTMENTS



Enerlites Inc.

www.enerlites.com

Phone: 949-756-0536 Fax: 949-756-0528 e-mail: sales@enerlites.com

© 2017 Enerlites Inc. CA, U.S.A.
 WWW.ENERLITES.COM
 0211010107